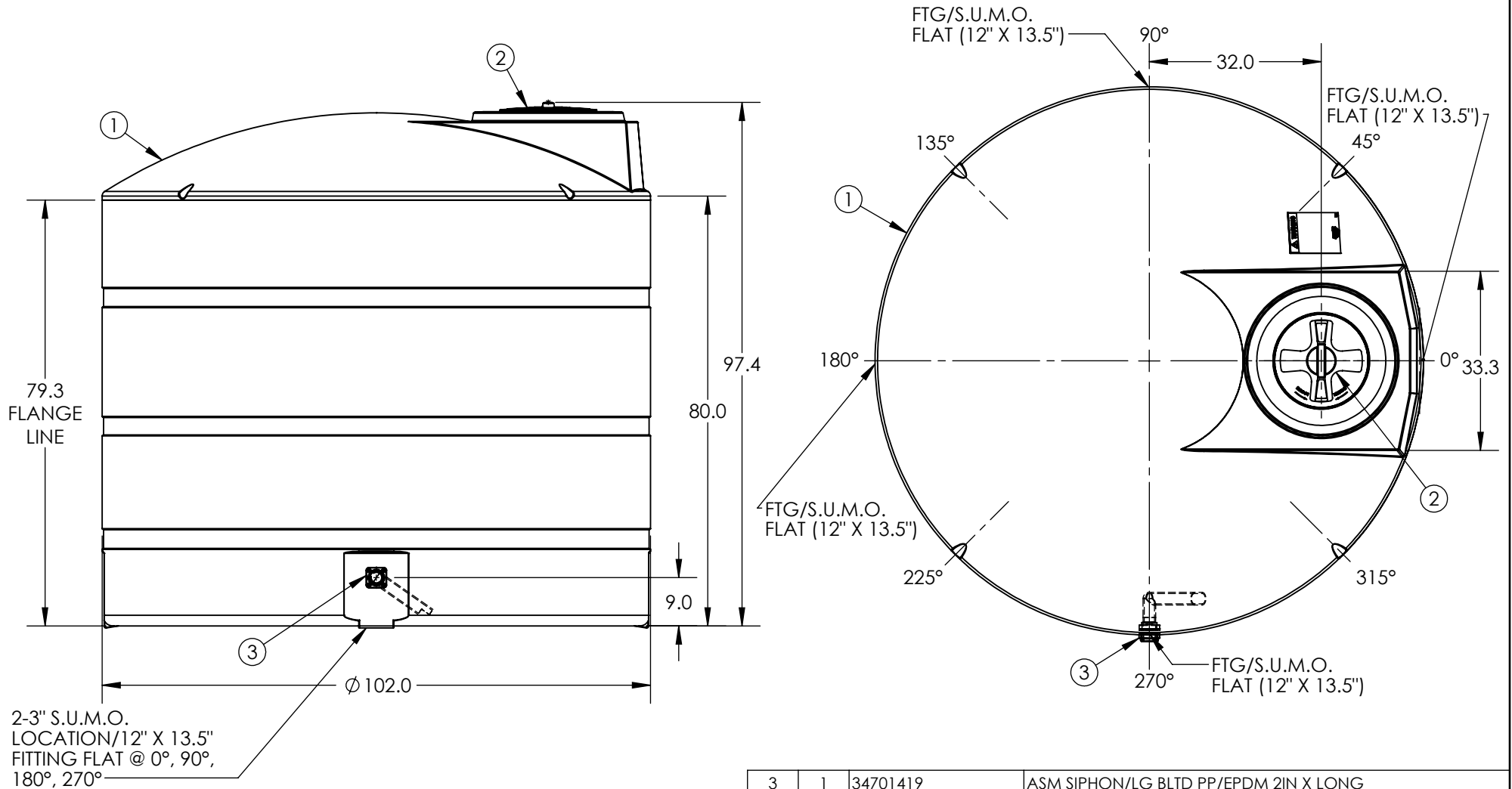


CUSTOMER APPROVAL

APPROVED FOR PRODUCTION AS DRAWN.
 REVISE AS NOTED & RESUBMIT FOR APPROVAL.
 SIGNATURE: _____
 DATE: _____
 DRAWING IS NOT VALID UNLESS SIGNED



2-3" S.U.M.O. LOCATION/12" X 13.5" FITTING FLAT @ 0°, 90°, 180°, 270°

| 3 | 1 | 34701419 | ASM SIPHON/LG BLTD PP/EPDM 2IN X LONG |
|--------------------------------------|------|---|---|
| 2 | 1 | 34700087 | ASM MANWAY 18IN PE W/4IN VENT W/TIE SII |
| 1 | 1 | 8390000C__02 | ASM TK 3000VDT X 102 NH NOMW |
| ITEM NO. | QTY. | PART NUMBER | DESCRIPTION |
| DO NOT SCALE | | DRAWN BY: KB | DATE: 07/16/2014 |
| STATUS: Released | | | |
| © SNYDER INDUSTRIES INC., 2014 | | 4700 Fremont Street Lincoln, NE 68504 (402) 467-5221 www.snydernet.com | |
| TITLE: ASM TK 3000VDT X 102 2IN SIPH | | | REVISION: A |
| PART NO. 8390000C__03 | | ENG. ID. D002387 | |
| SHEET 1 OF 1 | | | |

***ALL EXTERNAL PIPING MUST BE INDEPENDENTLY SUPPORTED.**
***ONLY BASE FITTINGS TO BE LEFT INSTALLED AT TIME OF SHIPMENT PER SII PROCEDURE.**
***Consult Snyder's Guidelines for Use and Installation prior to delivery.**
 Available on-line at <http://www.snyderindustriestanks.com/Technical>
ALL DIMENSIONS ARE IN INCHES, NOMINAL, & SUBJECT TO CHANGE WITHOUT NOTICE.
ALL DIMENSIONS ON ROTATIONAL MOLDED PARTS ARE SUBJECT TO A ± 3% TOLERANCE.