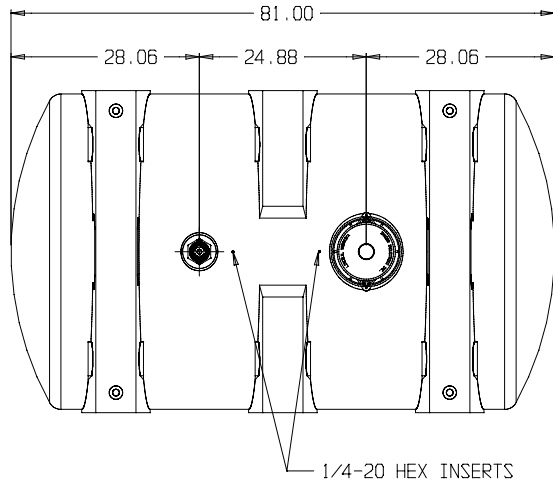
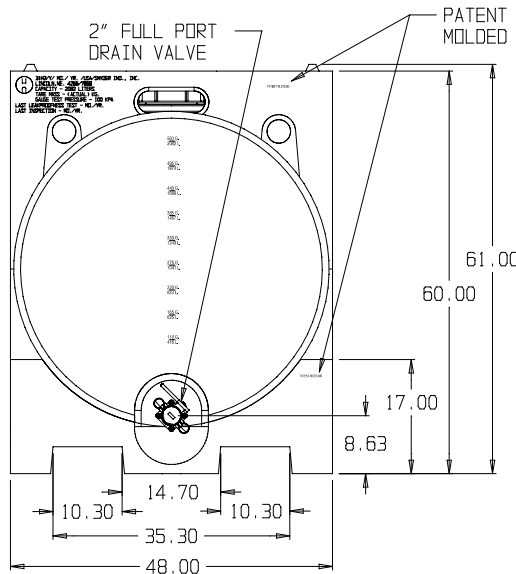
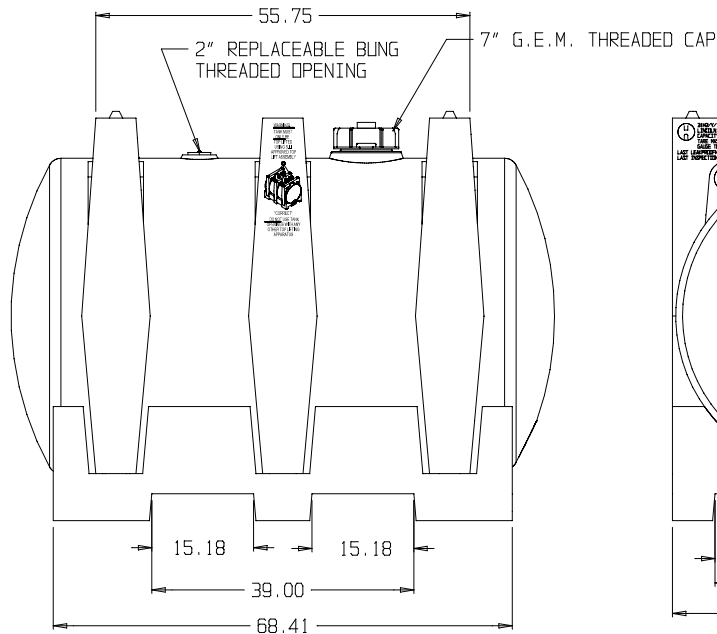


550 MEGATAINER PREMIUM STANDARD ASSEMBLY




ITEM #	DESCRIPTION	QTY.	PART NUMBER
1	TANK - 1 BUNG TANK WITH 6.5" CAP AND BOTTOM DRAIN HDPE NATURAL. (WITH CAP LANYARD INSERT BUT WITHOUT TAMPER EVIDENCE INSERTS MOLDED IN)	1	6230000B97201
2	BASE - 550 MEGATAINER HDPE RED.	1	6380000B97601
3	2" NPS RIEKE POLYETHYLENE BUNG PLUGS WITH EPDM FLAT GASKETS	1	34700340
4	6.5" GEM CAP WITH 2" NPS CENTER OPENING AND EPDM CAP GASKET. EQUIPPED WITH LID TIE	1	34700795
5	S.I.I. 2" NPS VACUUM RELIEF VENT WITH EPDM DISK AND FLAT GASKET (AVERAGE GRAVITY FLOW RATE OF 70 GALLONS PER MINUTE)	1	34700854
6	2" BANJO FULL PORT GLASS FILLED POLYPROPYLENE BOTTOM DRAIN VALVE WITH TEFLON SEATS AND BALL AND 18/8 S.S. BOLTS. INCLUDES DUST CAP AND CAP LANYARD.	1	34701161



NOTE ! OPTIONAL TOP LIFTING ASSEMBLY (NOT SHOWN) IS ALSO AVAILABLE ON CONTAINERS WITH OR WITHOUT THE U.N. MARKING.

THIS TANK HAS BEEN TESTED AND CERTIFIED TO MEET D.O.T. REQUIREMENTS PER 49 C.F.R. PART 178 SUBPART N AND SUBPART O FOR RIGID PLASTIC INTERMEDIATE BULK CONTAINERS FREESTANDING FOR LIQUIDS INTENDED FOR THE TRANSPORTATION OF HAZARDOUS MATERIALS. (IDENTIFICATION CODE 31H2Y) MEETS PACKING GROUP II AND GROUP III TESTS FOR LIQUIDS UP TO 1.9 SPECIFIC GRAVITY. SEE 49 C.F.R. PART 172.101 HAZARDOUS MATERIALS TABLE FOR PACKAGING AUTHORIZATIONS.

TANK MARKING:


 31H2/Y/ MO./ YR. /USA/SNYDER IND., INC.
 LINCOLN, NE. 0 / 4255
 CAPACITY - 2082 LITERS
 TARE MASS - (ACTUAL) KG.
 GAUGE TEST PRESSURE - 100 KPA
 LAST LEAKPROOFNESS TEST - MO./YR.
 LAST INSPECTION - MO./YR.

© SNYDER INDUSTRIES, INC., 2013

* BASE FITTINGS TO BE LEFT INSTALLED AT TIME OF SHIPMENT PER S11 PROCEDURE
 * Consult Snyder's Guidelines for Use and Installation prior to delivery. Available on-line at www.snydernet.com
 ALL DIMENSIONS, DESIGNS, AND INFORMATION ON THIS PRINT MUST BE CONSIDERED PROPRIETARY TO SNYDER INDUSTRIES, INC. AND MAY NOT BE USED, COPIED, OR DISTRIBUTED WITHOUT WRITTEN PERMISSION OF AN OFFICER (OR HIS AGENT) OF THE FIRM.

(all dimensions in inches)
 PART NUMBER TANK: 6230000B97202

550 GALLON MEGATAINER I.B.C.

REF#: 00000 01/07/13

SNYDER INDUSTRIES INC.