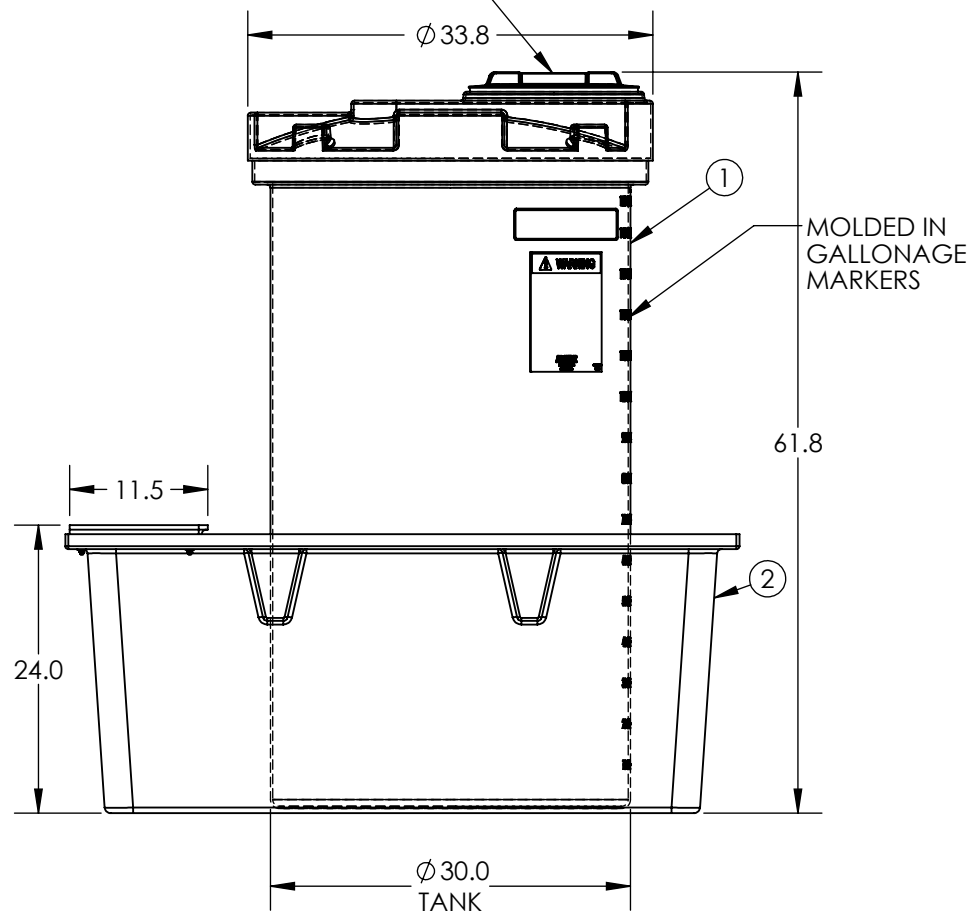


14" PE THREADED/VENTED  
MANWAY w/ 11-3/8" ACCESS



③ SHRINK WRAP NOT SHOWN

3	1	00000171	PROTECTIVE PLASTIC PACKAGING 200 - 850
2	1	1007800N97802	ASM CNT 185 HD/BLK W/SHELF
1	1	5710100N__01	ASM TK 150VNT X 30
ITEM NO.	QTY.	PART NUMBER	DESCRIPTION
DO NOT SCALE		DRAWN BY	REVISION
STATUS: <b>Released</b>		SB	<b>A</b>
© SNYDER INDUSTRIES INC., 2015			TITLE: <b>ASM TK 150VNT CHEMFEED</b>
ALL DIMENSIONS, DESIGNS, AND INFORMATION ON THIS PRINT MUST BE CONSIDERED PROPRIETARY TO SNYDER INDUSTRIES, INC. AND MAY NOT BE USED, COPIED, OR DISTRIBUTED WITHOUT WRITTEN PERMISSION OF AN OFFICER (OR HIS AGENT) OF THE FIRM.			SHEET 1 OF 1
[402] 467-5221 www.snyderinet.com		PART NO. <b>5710103N__01</b>	ENG. ID. <b>D002280</b>

**\*ALL EXTERNAL PIPING MUST BE INDEPENDENTLY SUPPORTED.**  
**\*ONLY BASE FITTINGS TO BE LEFT INSTALLED AT TIME OF SHIPMENT PER SII PROCEDURE.**  
**\*Consult Snyder's Guidelines for Use and Installation prior to delivery.**  
 Available on-line at <http://www.snyderindustriestanks.com/Technical>  
**ALL DIMENSIONS ARE IN INCHES, NOMINAL, & SUBJECT TO CHANGE WITHOUT NOTICE.**  
**ALL DIMENSIONS ON ROTATIONAL MOLDED PARTS ARE SUBJECT TO A ± 3% TOLERANCE.**