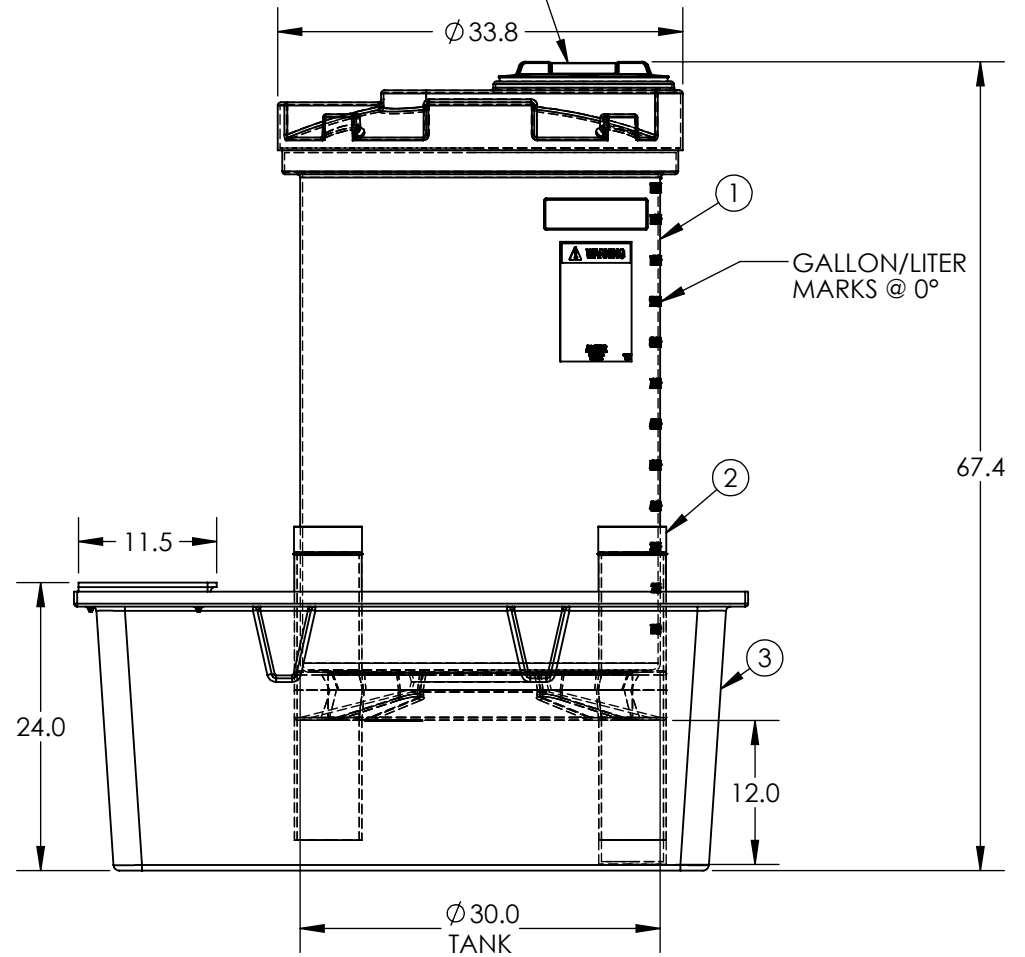


14" PE THREADED/VENTED
MANWAY w/ 11-3/8" ACCESS



④ SHRINK WRAP NOT SHOWN

4	1	00000171	PROTECTIVE PLASTIC PACKAGING 200 - 850
3	1	1007800N97802	ASM CNT 185 HD/BLK W/SHELF
2	1	1690000N97601	ASM STAND FLAT/CONE 30X12 HD/RED
1	1	5700100N__01	ASM TK 120VNT X 30

ITEM NO.	QTY.	PART NUMBER	DESCRIPTION
DO NOT SCALE		DRAWN BY	REVISION
STATUS: Released		SB	A
© SNYDER INDUSTRIES INC., 2015		SII SNYDER INDUSTRIES, INC.	TITLE: ASM TK 120VNT CHEMFED W/STND
ALL DIMENSIONS, DESIGNS, AND INFORMATION ON THIS PRINT MUST BE CONSIDERED PROPRIETARY TO SNYDER INDUSTRIES, INC. AND MAY NOT BE USED, COPIED, OR DISTRIBUTED WITHOUT WRITTEN PERMISSION OF AN OFFICER (OR HIS AGENT) OF THE FIRM.		(402) 467-5221 www.snyderinf.com	REVISION SHEET 1 OF 1
PART NO. 5700104N__01		ENG. ID. D002249	

***ALL EXTERNAL PIPING MUST BE INDEPENDENTLY SUPPORTED.**
***ONLY BASE FITTINGS TO BE LEFT INSTALLED AT TIME OF SHIPMENT PER SII PROCEDURE.**
***Consult Snyder's Guidelines for Use and Installation prior to delivery.**
 Available on-line at <http://www.snyderindustriestanks.com/Technical>
ALL DIMENSIONS ARE IN INCHES, NOMINAL, & SUBJECT TO CHANGE WITHOUT NOTICE.
ALL DIMENSIONS ON ROTATIONAL MOLDED PARTS ARE SUBJECT TO A ± 3% TOLERANCE.