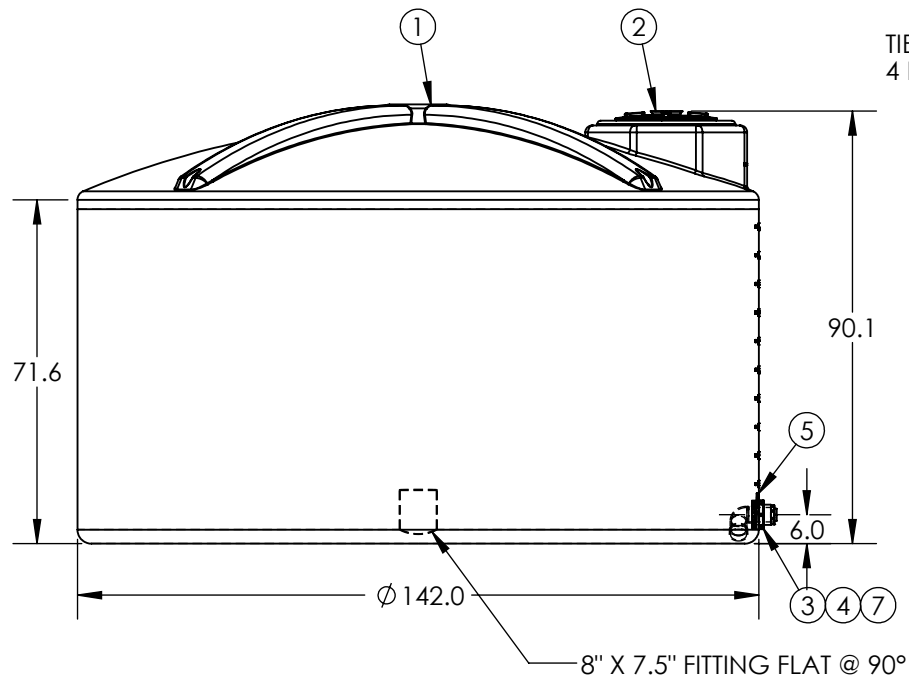
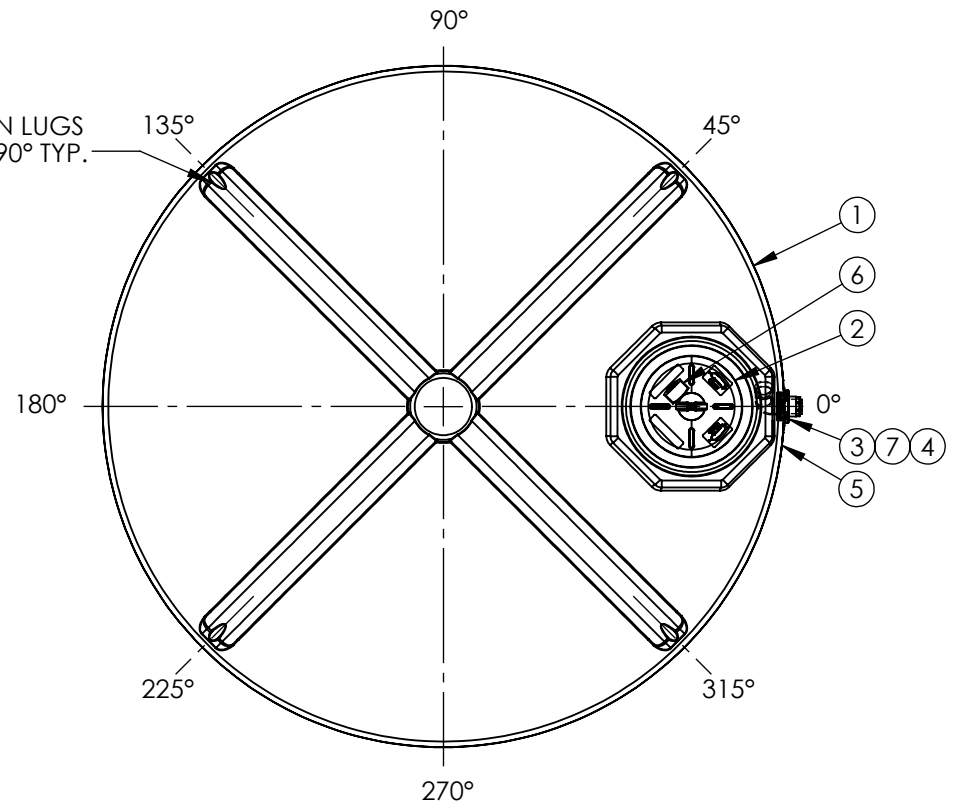



PART NUMBER	TANK COLOR
32837	NATURAL 1.5
32841	NATURAL 1.9



TIEDOWN LUGS  
4 PLCS. 90° TYP.



7	1	60327	SIPHON TUBE 3 X 5-1/2 PP
6	1	61848	DECAL AG WARNING - LARGE
5	1	61847	DECAL AG WARNING - SMALL
4	1	60330	REDUCER BUSHING PP 3IN X 2IN
3	1	62299	FTG PP 3IN BH EPDM TXT
2	1	64448	MANWAY 20IN W/VENT R
1	1	30407RP	5100 X 142 V RS

ITEM NO.	PART NUMBER	DESCRIPTION
DO NOT SCALE		DRAWN BY
Released		IGG
© TANK HOLDING, CORP, 2025		 <b>5100 X 142 V RS WF</b>
<small>ALL DIMENSIONS, DESIGNS, AND INFORMATION ON THIS PRINT MUST BE CONSIDERED PROPRIETARY TO TANK HOLDING, CORP. AND MAY NOT BE USED, COPIED, OR DISTRIBUTED WITHOUT WRITTEN PERMISSION OF AN OFFICER (OR HIS AGENT) OF THE FIRM.</small>		<small>REVISION</small> <b>A</b> <small>SHEET</small> 1 OF 1
<small>(402) 467-5221</small> <a href="http://www.snydermet.com">www.snydermet.com</a>		<small>PART NO.</small> <b>SEE CHART</b>
		<small>ENG. ID.</small> <b>A030141</b>

\*FITTINGS ARE CENTERED IN BOTTOM FITTING FLATS & FITTING HEIGHTS MAY VARY.  
 \*ALL EXTERNAL PIPING MUST BE INDEPENDENTLY SUPPORTED.  
 \*ONLY BASE FITTINGS TO BE LEFT INSTALLED AT TIME OF SHIPMENT PER THC PROCEDURE.  
 ALL DIMENSIONS ARE IN INCHES, NOMINAL, & SUBJECT TO CHANGE WITHOUT NOTICE.  
 ALL DIMENSIONS ON ROTATIONAL MOLDED PARTS ARE SUBJECT TO A ± 3% TOLERANCE.