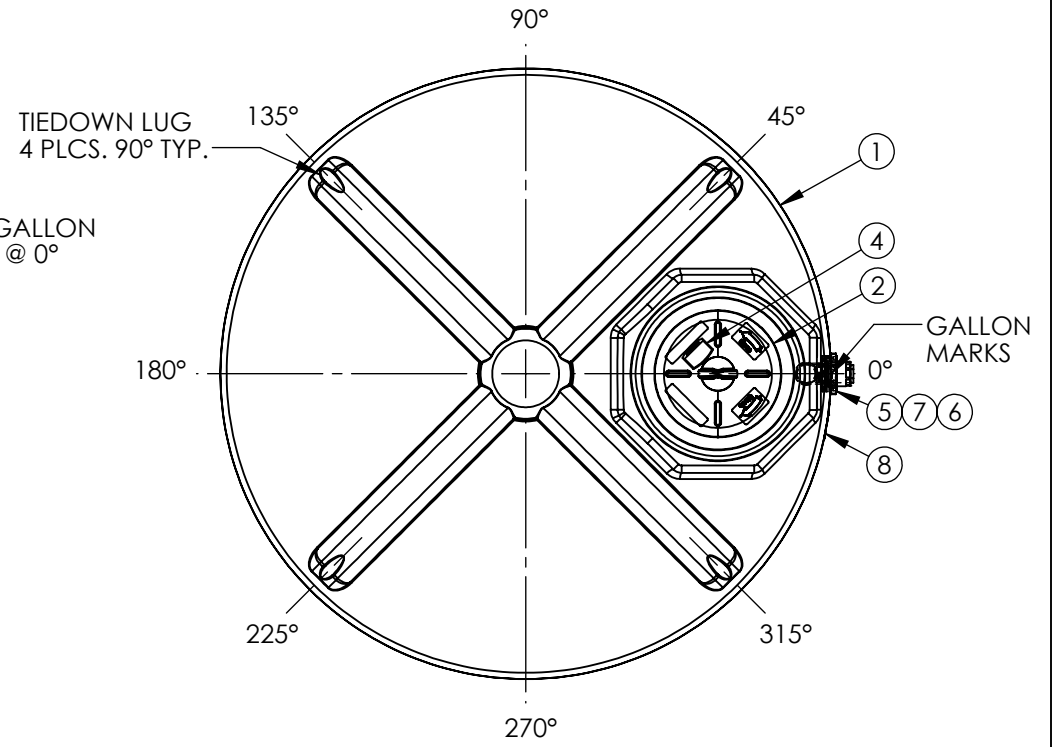
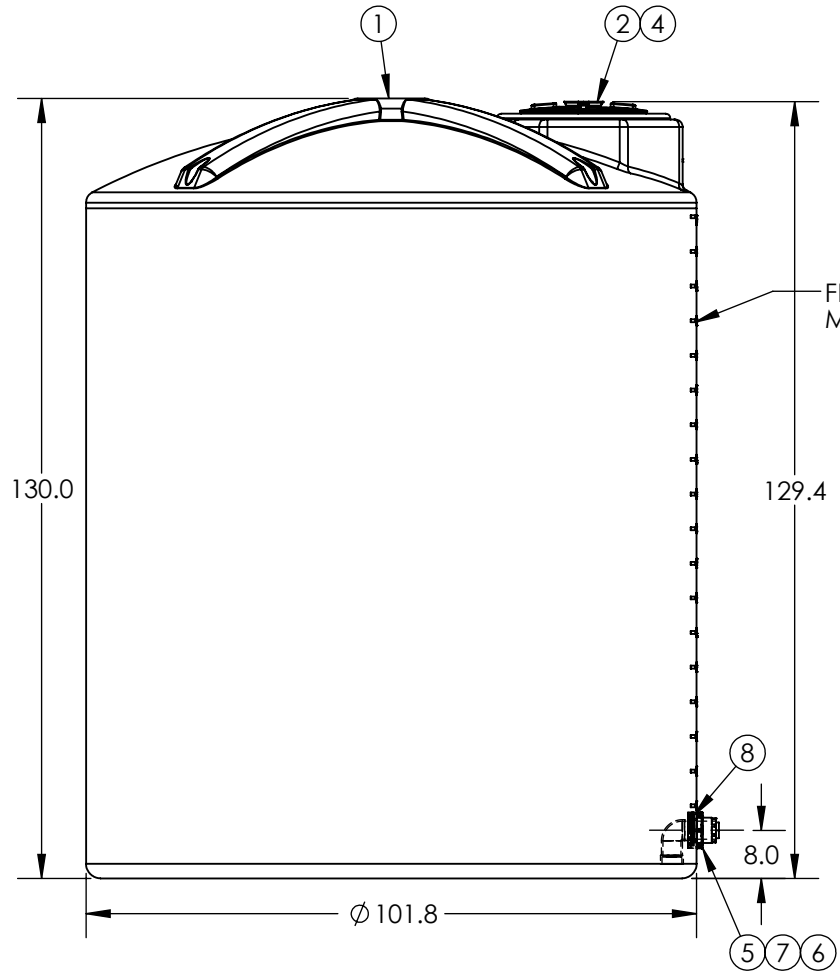


PART NUMBER	MATERIAL
32799	NATURAL 1.5
32801	BLACK 1.5
32803	NATURAL 1.9
32805	BLACK 1.9



*GALLON MARKS CAN BE REMOVED FOR FITTING PLACEMENT AS NECESSARY.

8	1	61847	DECAL AG WARNING - SMALL
7	1	60330	REDUCER BUSHING PP 3IN X 2IN
6	1	60327	SIPHON TUBE 3 X 5-1/2 PP
5	1	62299	FTG PP 3IN BH EPDM TXT
4	1	61848	DECAL AG WARNING - LARGE
3	8	60081	SCREW #9 X 1" SS 5"-22" LID
2	1	64448	MANWAY 20IN W/VENT R
1	1	30415	4100 V RS

ITEM NO.	QTY.	PART NUMBER	DESCRIPTION
DO NOT SCALE		DRAWN BY	TITLE:
STATUS: Released		IGG	4100 V RS WF
© TANK HOLDING, CORP, 2022		 A BRAND OF TANK HOLDING CORP.	REVISION: A
ALL DIMENSIONS, DESIGNS, AND INFORMATION ON THIS PRINT MUST BE CONSIDERED PROPRIETARY TO TANK HOLDING, CORP. AND MAY NOT BE USED, COPIED, OR DISTRIBUTED WITHOUT WRITTEN PERMISSION OF AN OFFICER (OR HIS AGENT) OF THE FIRM.		(402) 467-5221 www.snydermet.com	SHEET 1 OF 1
		PART NO. SEE CHART	ENG. ID. A022794

*ALL EXTERNAL PIPING MUST BE INDEPENDENTLY SUPPORTED.
 *ONLY BASE FITTINGS TO BE LEFT INSTALLED AT TIME OF SHIPMENT PER SII PROCEDURE.
 ALL DIMENSIONS ARE IN INCHES, NOMINAL, & SUBJECT TO CHANGE WITHOUT NOTICE.
 ALL DIMENSIONS ON ROTATIONAL MOLDED PARTS ARE SUBJECT TO A ± 3% TOLERANCE.