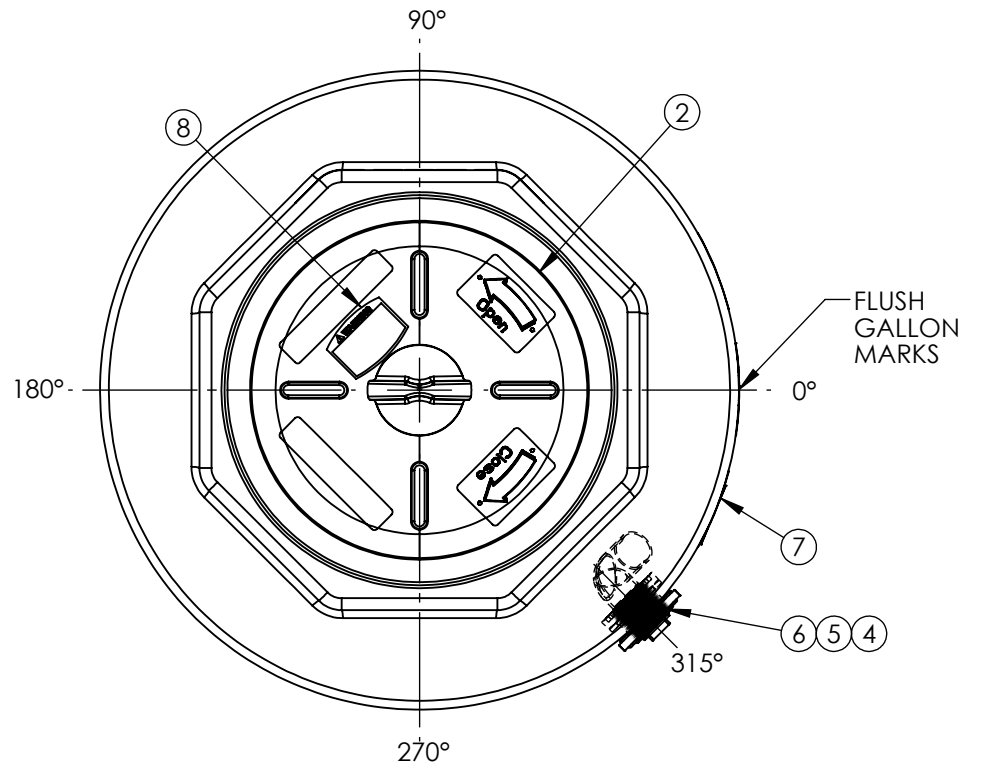
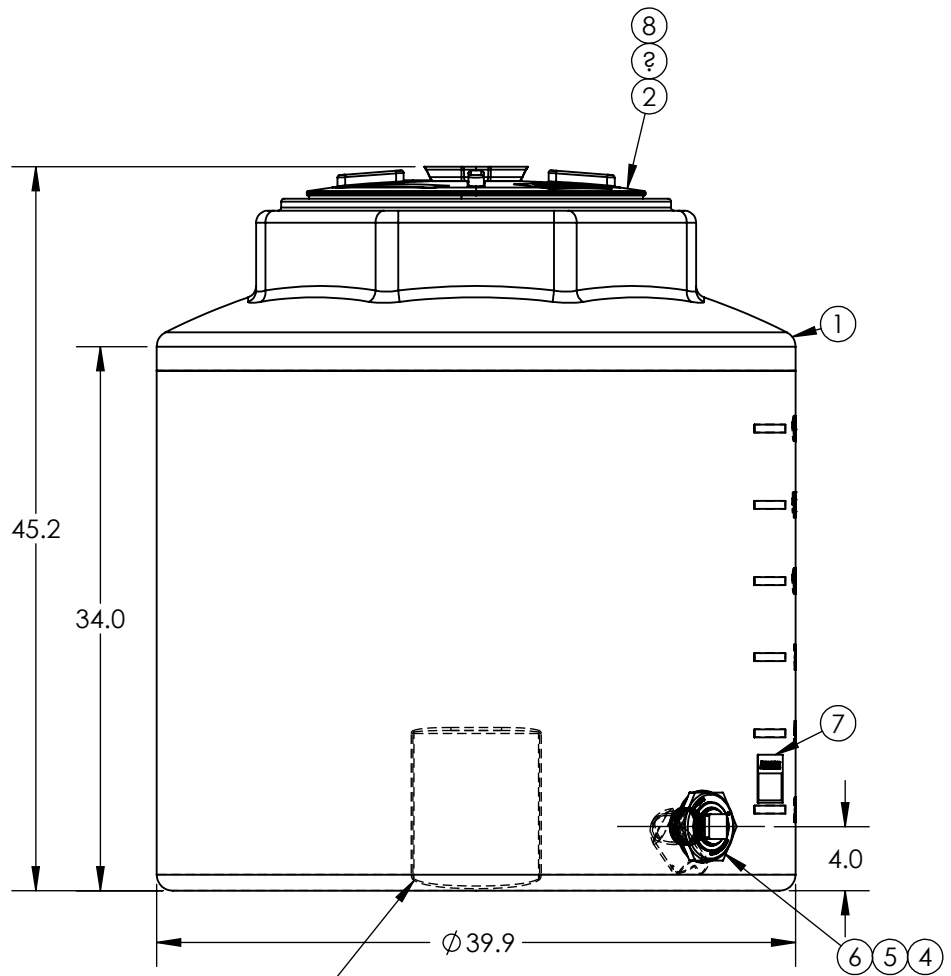


<b>PART NUMBER</b>	<b>COLOR</b>
32649	NATURAL 1.9



8" X 10" FITTING FLAT @ 90°

**\*GALLON MARKS CAN BE REMOVED FOR FITTING PLACEMENT AS NEEDED.**

8	1	61848	DECAL AG WARNING - LARGE
7	1	61847	DECAL AG WARNING - SMALL
6	1	63683	FTG 2IN HD BH PP/EPDM
5	1	60335	SIPHON TUBE PP 2IN X 3-3/4LG
4	1	60021	2" NPT PLUG
3	8	60081	SCREW #9 X 1" SS 5"-22" LID
2	1	64448	MANWAY 20IN W/VENT R
1	1	30408	200V X 40 RP STRAIGHT

**\*FITTINGS ARE CENTERED IN BOTTOM FITTING FLATS & FITTING HEIGHTS MAY VARY.**  
**\*ALL EXTERNAL PIPING MUST BE INDEPENDENTLY SUPPORTED.**  
**\*ONLY BASE FITTINGS TO BE LEFT INSTALLED AT TIME OF SHIPMENT PER SII PROCEDURE.**  
**ALL DIMENSIONS ARE IN INCHES, NOMINAL, & SUBJECT TO CHANGE WITHOUT NOTICE.**  
**ALL DIMENSIONS ON ROTATIONAL MOLDED PARTS ARE SUBJECT TO A ± 3% TOLERANCE.**

<b>ITEM NO.</b>	<b>QTY.</b>	<b>PART NUMBER</b>	<b>DESCRIPTION</b>
DO NOT SCALE		DRAWN BY	TITLE:
STATUS: <b>Released</b>		KB	<b>200 V RS WF</b>
© TANK HOLDING, CORP, 2025		<b>SII SNYDER INDUSTRIES</b> A BRAND OF TANK HOLDING CORP.	REVISION <b>A</b>
ALL DIMENSIONS, DESIGNS, AND INFORMATION ON THIS PRINT MUST BE CONSIDERED PROPRIETARY TO TANK HOLDING, CORP. AND MAY NOT BE USED, COPIED, OR DISTRIBUTED WITHOUT WRITTEN PERMISSION OF AN OFFICER (OR HIS AGENT) OF THE FIRM.		(402) 467-5221 www.snydernet.com	SHEET 1 OF 1
		PART NO. <b>SEE CHART</b>	ENG. ID. <b>A016713</b>