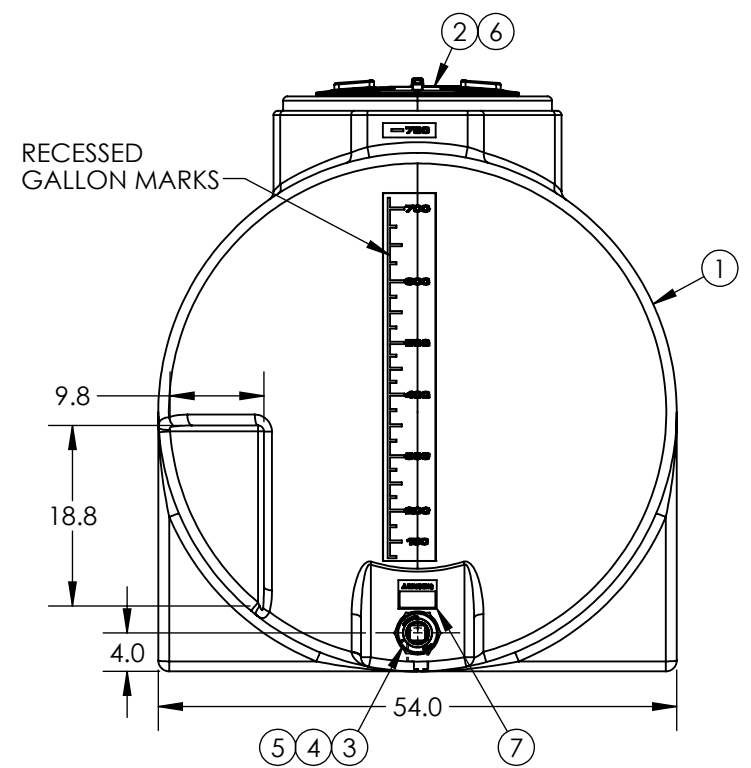
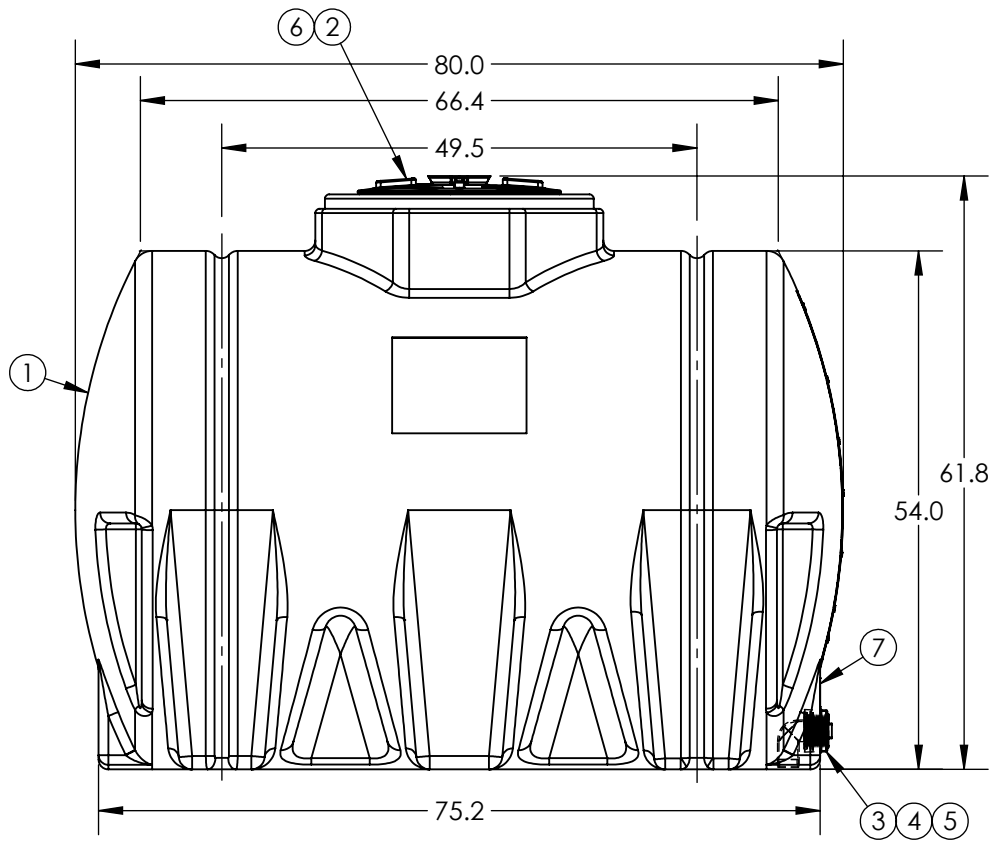


PART NUMBER	MATERIAL
32433	BLACK 1.5 SG
32435	NATURAL 1.5 SG
32437	NATURAL 1.9 SG



7	1	61847	DECAL AG WARNING - SMALL
6	1	61848	DECAL AG WARNING - LARGE
5	1	60021	2" NPT PLUG
4	1	60335	SIPHON TUBE PP 2IN X 3-3/4LG
3	1	63683	FTG 2IN HD BH PP/EPDM
2	1	34703189	ASM LID 20IN W/VENT R
1	1	30363	730 HLT RP

ITEM NO.	QTY.	PART NUMBER	DESCRIPTION
DO NOT SCALE			
STATUS: Released			TITLE: 730 HORIZ LEG R WF
© TANK HOLDING, CORP, 2025			REVISION: A
			SHEET: 1 OF 1
<small>ALL DIMENSIONS, DESIGNS, AND INFORMATION ON THIS PRINT MUST BE CONSIDERED PROPRIETARY TO TANK HOLDING, CORP. AND MAY NOT BE USED, COPIED, OR DISTRIBUTED WITHOUT WRITTEN PERMISSION OF AN OFFICER (OR HIS AGENT) OF THE FIRM.</small>			PART NO.: SEE CHART
www.tankholding.com			ENG. ID.: A028424

***ALL EXTERNAL PIPING MUST BE INDEPENDENTLY SUPPORTED.**
***ONLY BASE FITTINGS TO BE LEFT INSTALLED AT TIME OF SHIPMENT PER THC PROCEDURE.**
ALL DIMENSIONS ARE IN INCHES, NOMINAL, & SUBJECT TO CHANGE WITHOUT NOTICE.
ALL DIMENSIONS ON ROTATIONAL MOLDED PARTS ARE SUBJECT TO A ± 3% TOLERANCE.