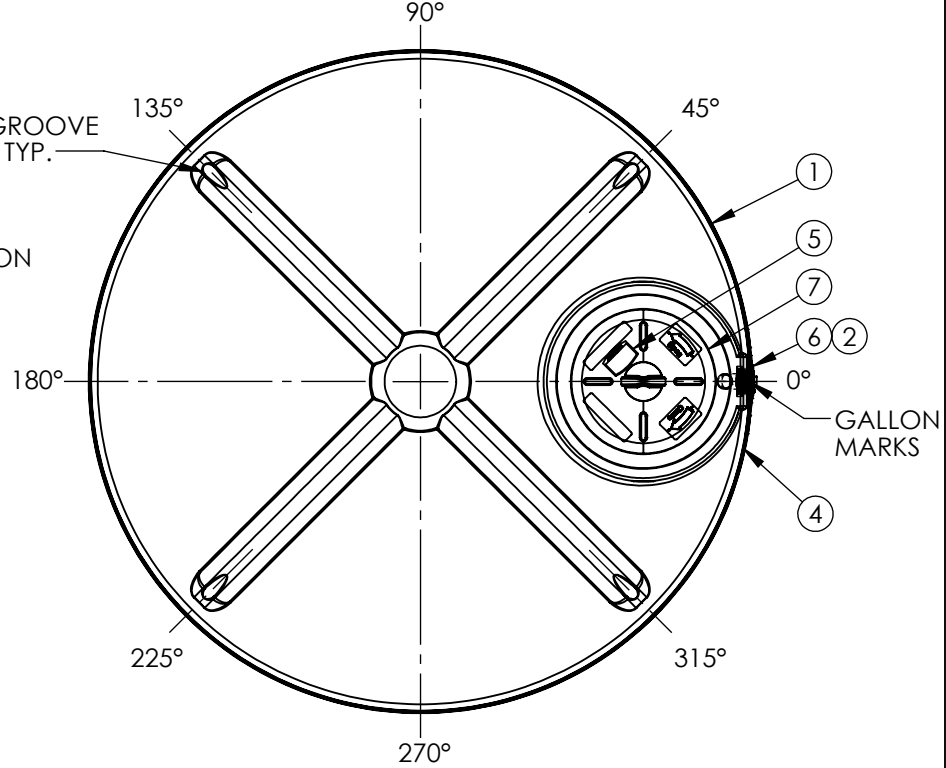
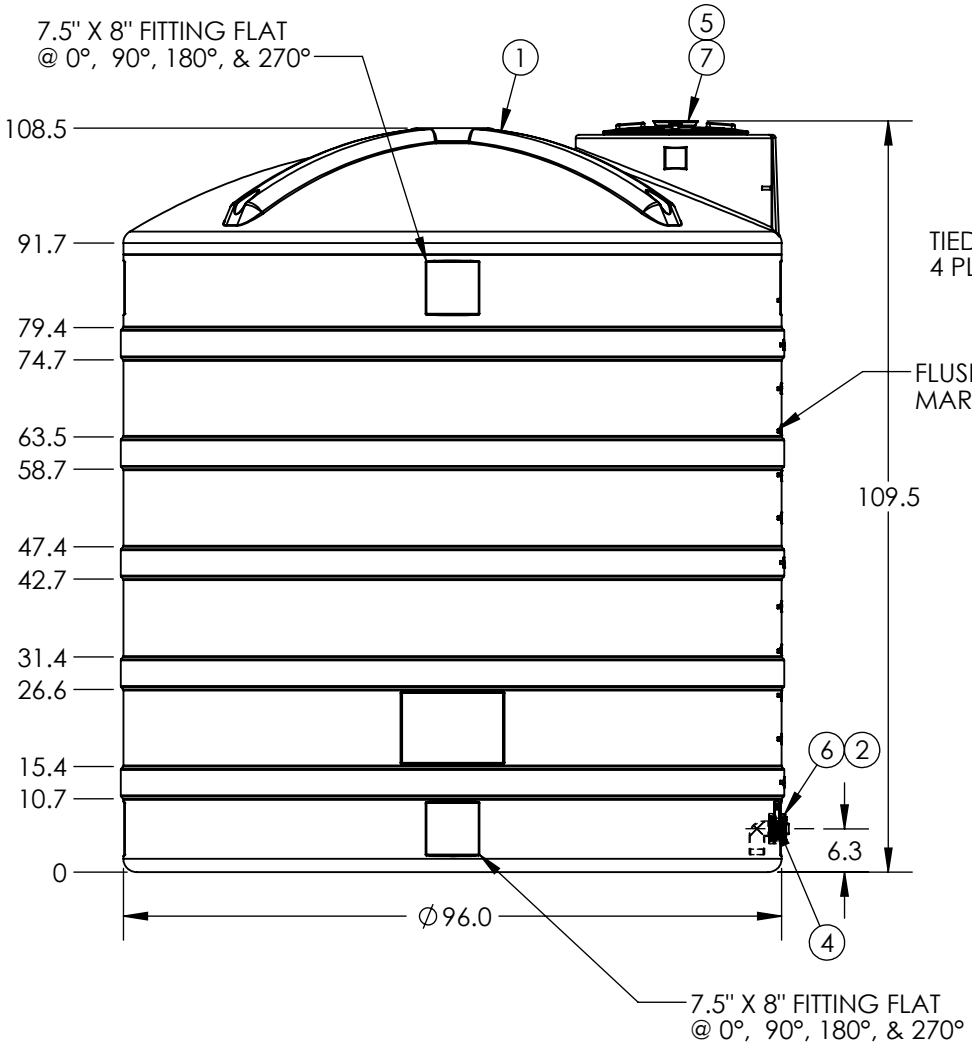


PART NUMBER	TANK COLOR
32267	NATURAL 1.5
32269	BLACK 1.5
32271	BLACK 1.9
32273	NATURAL 1.9
32861	LIGHT BLUE 1.9



***GALLON MARKS CAN BE REMOVED FOR FITTING PLACEMENT AS NECESSARY.**

ITEM NO.	QTY.	PART NUMBER	DESCRIPTION
8	1	60335	SIPHON TUBE PP 2IN X 3-3/4LG
7	1	64448	MANWAY 20IN W/VENT R
6	1	63683	FTG 2IN HD BH PP/EPDM
5	1	61848	DECAL AG WARNING - LARGE
4	1	61847	DECAL AG WARNING - SMALL
3	8	60081	SCREW #9 X 1" SS 5"-22" LID
2	1	60021	2" NPT PLUG
1	1	30347	3000V X 96 RP

***ALL EXTERNAL PIPING MUST BE INDEPENDENTLY SUPPORTED.**
***ONLY BASE FITTINGS TO BE LEFT INSTALLED AT TIME OF SHIPMENT PER THC PROCEDURE.**
ALL DIMENSIONS ARE IN INCHES, NOMINAL, & SUBJECT TO CHANGE WITHOUT NOTICE.
ALL DIMENSIONS ON ROTATIONAL MOLDED PARTS ARE SUBJECT TO A ± 3% TOLERANCE.

DO NOT SCALE		DRAWN BY	 A BRAND OF TANK HOLDING CORP.	TITLE:	3000 X 96 V R WF	REVISION
STATUS:		IGG		ENG. ID.		
© TANK HOLDING, CORP, 2025				PART NO.	SEE CHART	A
ALL DIMENSIONS, DESIGNS, AND INFORMATION ON THIS PRINT MUST BE CONSIDERED PROPRIETARY TO TANK HOLDING, CORP. AND MAY NOT BE USED, COPIED, OR DISTRIBUTED WITHOUT WRITTEN PERMISSION OF AN OFFICER (OR HIS AGENT) OF THE FIRM.		www.snydermet.com		ENG. ID.	A017081	SHEET 1 OF 1