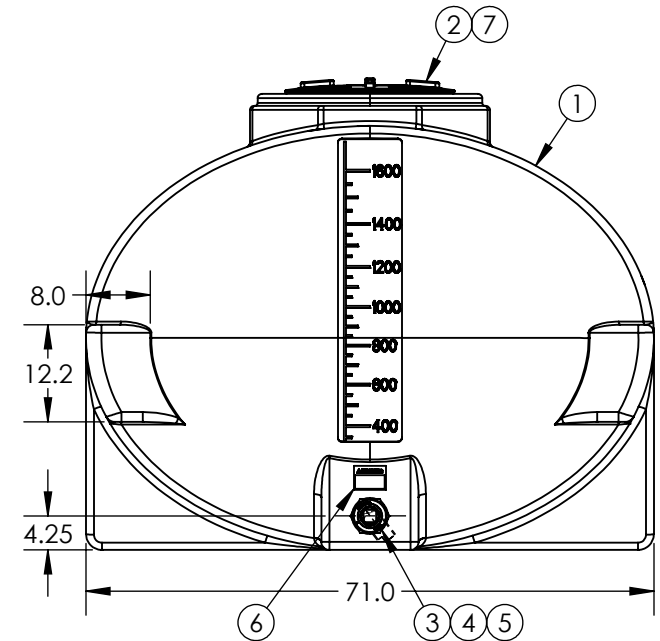
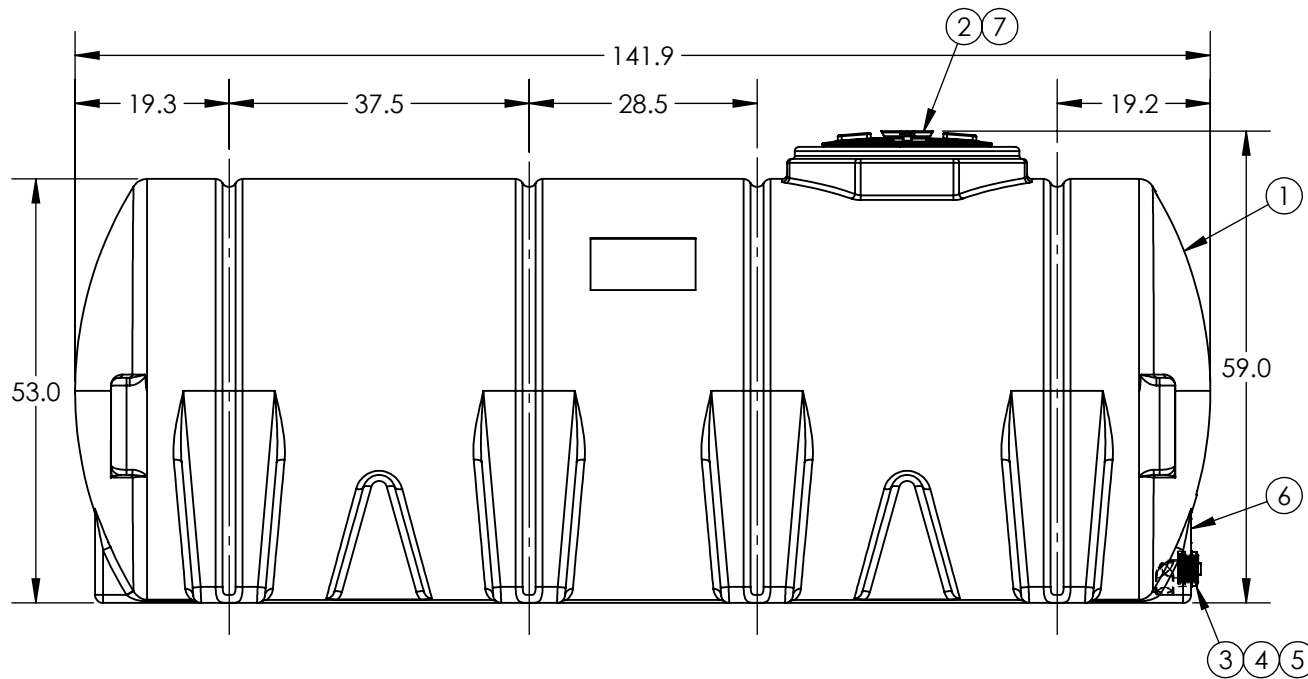



PART NUMBER	COLOR
32133	BLACK 1.5
32135	NATURAL 1.5



7	1	61848	DECAL AG WARNING - LARGE
6	1	61847	DECAL AG WARNING - SMALL
5	1	60021	2" NPT PLUG
4	1	60335	SIPHON TUBE PP 2IN X 3-3/4LG
3	1	63683	FTG 2IN HD BH PP/EPDM
2	1	34703189	ASM LID 20IN W/VENT R
1	1	P028106	1650 ELLIP LEG RP

ITEM NO.	QTY.	PART NUMBER	DESCRIPTION
DO NOT SCALE			
STATUS: Released			
© TANK HOLDING, CORP, 2025			
			
TITLE:		1650 ELLIP LEG R WF	
PART NO.		SEE CHART	
REVISION		A	
SHEET		1 OF 1	
ENG. ID.		A031183	

*ALL EXTERNAL PIPING MUST BE INDEPENDENTLY SUPPORTED.
 *ONLY BASE FITTINGS TO BE LEFT INSTALLED AT TIME OF SHIPMENT PER THC PROCEDURE.
 ALL DIMENSIONS ARE IN INCHES, NOMINAL, & SUBJECT TO CHANGE WITHOUT NOTICE.
 ALL DIMENSIONS ON ROTATIONAL MOLDED PARTS ARE SUBJECT TO A ± 3% TOLERANCE.

ALL DIMENSIONS, DESIGNS, AND INFORMATION ON THIS PRINT MUST BE CONSIDERED PROPRIETARY TO TANK HOLDING, CORP. AND MAY NOT BE USED, COPIED, OR DISTRIBUTED WITHOUT WRITTEN PERMISSION OF AN OFFICER (OR HIS AGENT) OF THE FIRM.

www.tankholding.com