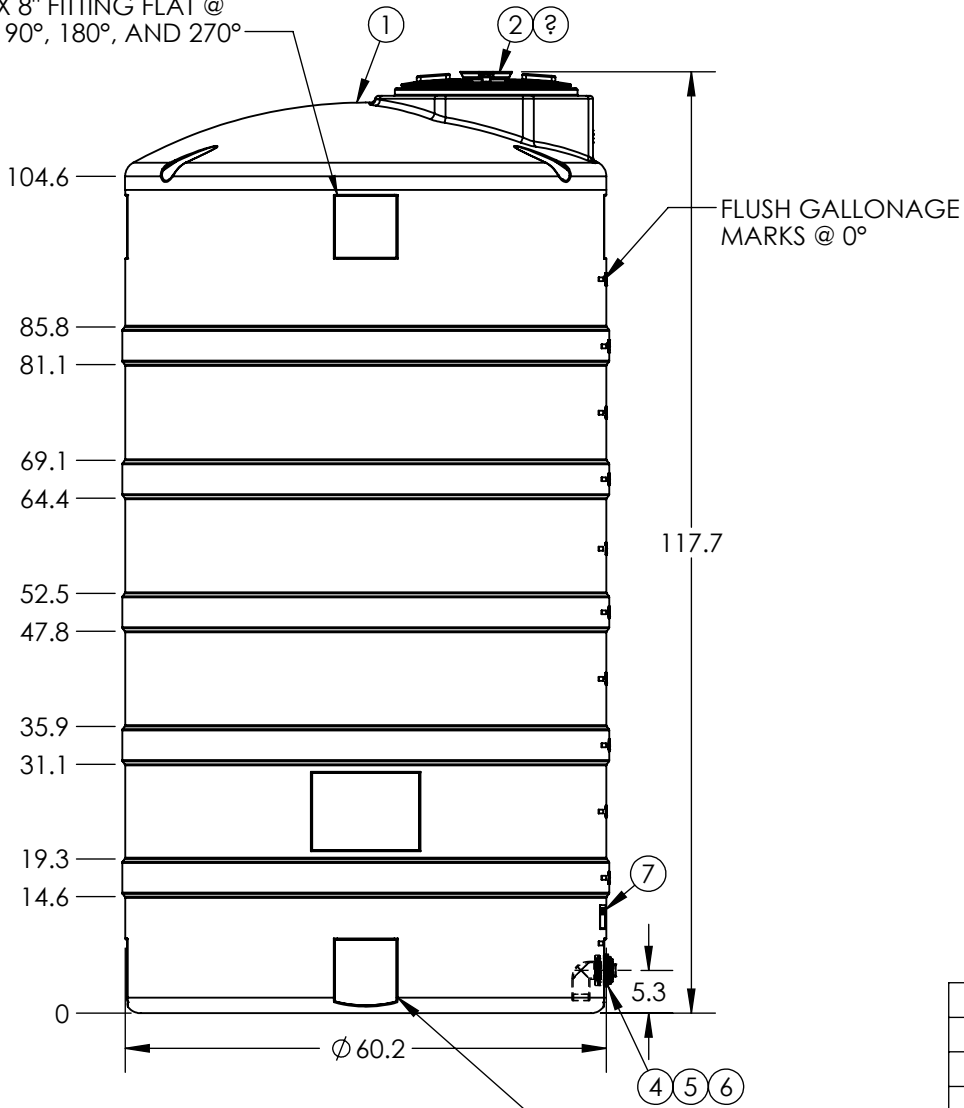
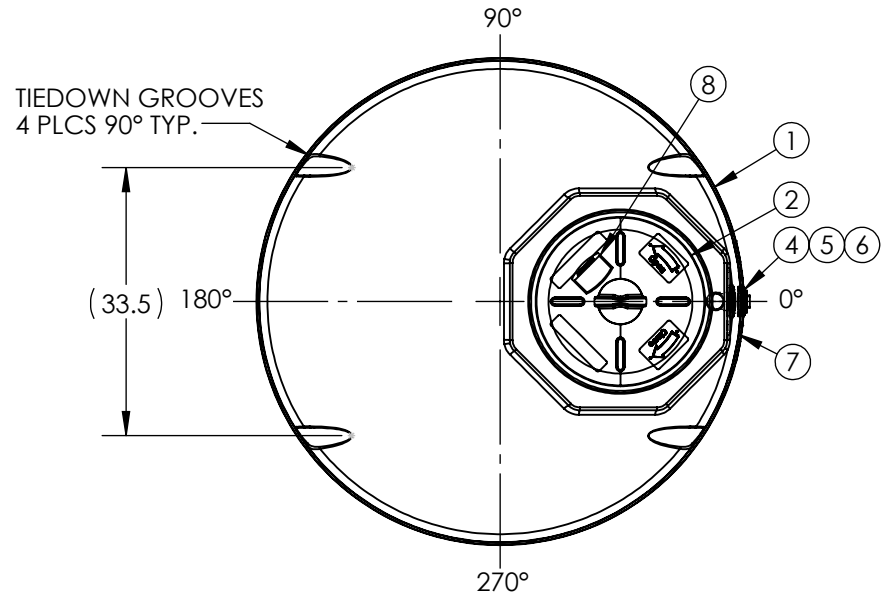


PART NUMBER	MATERIAL
32086	NAT 1.5
32088	NAT 1.9

8" X 8" FITTING FLAT @  
0°, 90°, 180°, AND 270°



8" X 7.5" FITTING FLAT @  
0°, 90°, 180°, AND 270°



**\*GALLONAGE MARKS CAN BE REMOVED FOR FITTING PLACEMENT IF NEEDED.**

ITEM NO.	QTY.	PART NUMBER	DESCRIPTION
8	1	61848	DECAL AG WARNING - LARGE
7	1	61847	DECAL AG WARNING - SMALL
6	1	60335	SIPHON TUBE PP 2IN X 3-3/4LG
5	1	60021	2" NPT PLUG
4	1	60405	FTG PP 2IN BH EPDM TXT
3	8	60081	SCREW #9 X 1" SS 5"-22" LID
2	1	64448	MANWAY 20IN W/VENT R
1	1	30341	1300V X 60 RP ME

**\*ALL EXTERNAL PIPING MUST BE INDEPENDENTLY SUPPORTED.**  
**\*ONLY BASE FITTINGS TO BE LEFT INSTALLED AT TIME OF SHIPMENT PER THC PROCEDURE.**  
**ALL DIMENSIONS ARE IN INCHES, NOMINAL, & SUBJECT TO CHANGE WITHOUT NOTICE.**  
**ALL DIMENSIONS ON ROTATIONAL MOLDED PARTS ARE SUBJECT TO A ± 3% TOLERANCE.**

DO NOT SCALE		DRAWN BY	TITLE:	REVISION
STATUS: <b>Released</b>		IGG	<b>1300 V WF</b>	<b>A</b>
© TANK HOLDING, CORP, 2025		<b>STI SNYDER INDUSTRIES</b> A BRAND OF TANK HOLDING CORP.	PART NO. <b>SEE CHART</b>	SHEET 1 OF 1
ALL DIMENSIONS, DESIGNS, AND INFORMATION ON THIS PRINT MUST BE CONSIDERED PROPRIETARY TO TANK HOLDING, CORP. AND MAY NOT BE USED, COPIED, OR DISTRIBUTED WITHOUT WRITTEN PERMISSION OF AN OFFICER (OR HIS AGENT) OF THE FIRM.		(402) 467-5221 www.snydermet.com	ENG. ID. <b>A016694</b>	