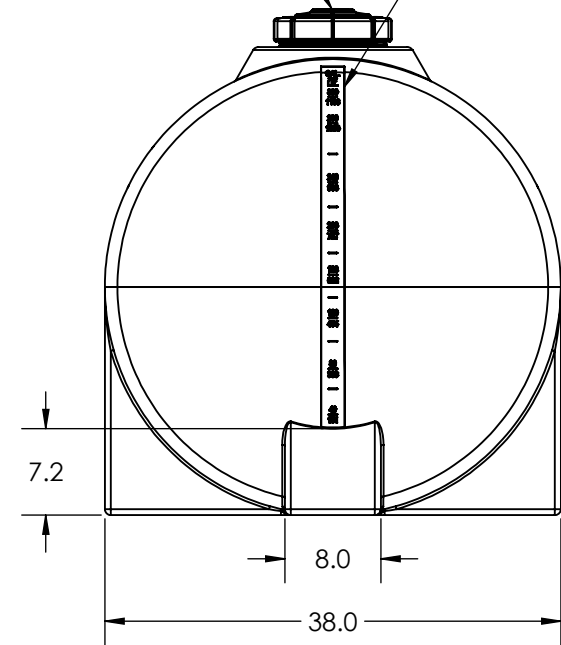



10" PE THREADED/VENTED
FILL CAP w/7" ACCESS

RECESSED GALLON/LITER
MARKS BOTH ENDS



***ALL EXTERNAL PIPING MUST BE INDEPENDENTLY SUPPORTED.**
***ONLY BASE FITTINGS TO BE LEFT INSTALLED AT TIME OF SHIPMENT PER SII PROCEDURE.**
ALL DIMENSIONS ARE IN INCHES, NOMINAL, & SUBJECT TO CHANGE WITHOUT NOTICE.
ALL DIMENSIONS ON ROTATIONAL MOLDED PARTS ARE SUBJECT TO A ± 3% TOLERANCE.

| | | | | | |
|--|--|----------|---|----------------|----------|
| DO NOT SCALE | | DRAWN BY | TITLE: | | REVISION |
| STATUS: Released | | ECH | TK 300HL X 38 | | A |
| © TANK HOLDING, CORP, 2024 | | |  A BRAND OF TANK HOLDING CORP. | | SHEET |
| <small>ALL DIMENSIONS, DESIGNS, AND INFORMATION ON THIS PRINT MUST BE CONSIDERED PROPRIETARY TO TANK HOLDING, CORP. AND MAY NOT BE USED, COPIED, OR DISTRIBUTED WITHOUT WRITTEN PERMISSION OF AN OFFICER (OR HIS AGENT) OF THE FIRM.</small> | | | <small>(402) 467-5221</small> <small>www.snydermet.com</small> | | 1 OF 1 |
| | | | PART NO. | ENG. ID. | |
| | | | 132000N__01 | D013138 | |