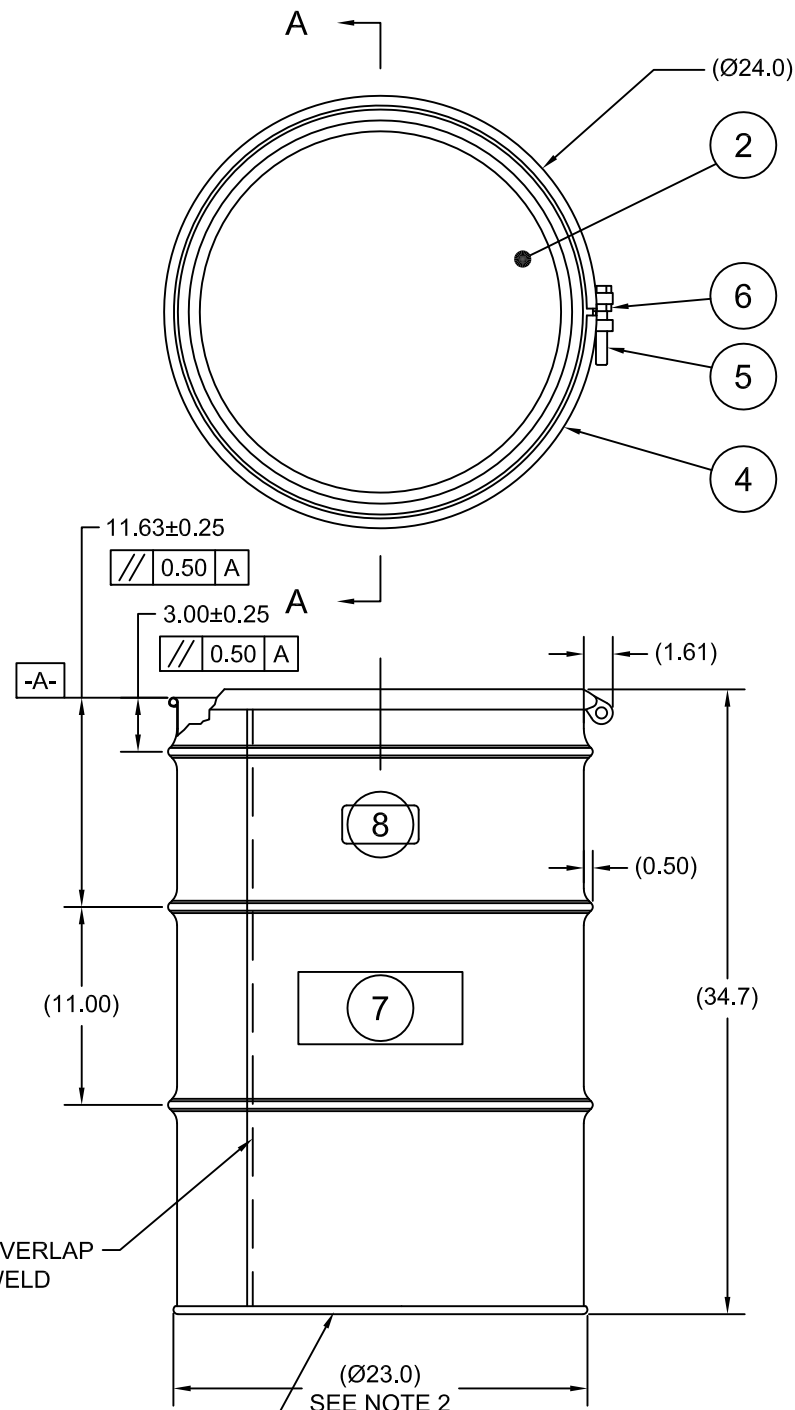


HM5501

ECN # or INIT	REV	DESCRIPTION	DATE
OE-005	A1	REDRAWN TO AutoCAD	05-FEB-2013

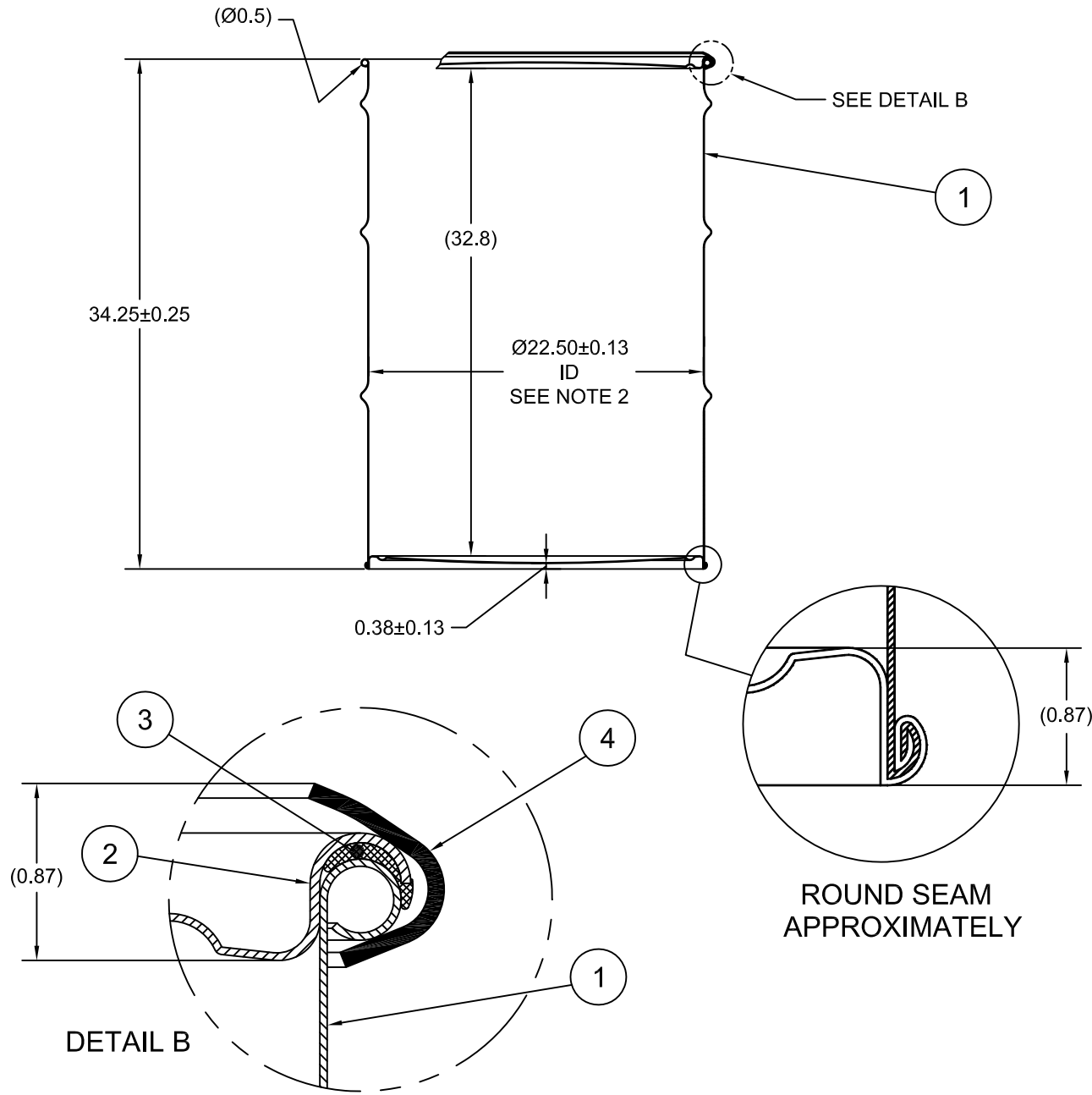


UN NUMBER EMBOSSED ON BOTTOM OF DRUM
 1/2" CHARACTERS READING:
 UN/1A2/X430/S/YR
 UN/1A2/Y1.5/175/YR
 1.5 *

(YR = YEAR OF MANUFACTURE)

BEST PRINTED ON B-SIZE PAPER

SECTION A-A



ROUND SEAM APPROXIMATELY

NOTES:

1. THESE DIMENSIONS REPRESENT DRUM AFTER BEING PROPERLY ASSEMBLED AND CLOSED PER SKOLNIK CLOSING INSTRUCTIONS
2. TO DETERMINE GREATER ACCURACY OF ANY DIAMETRIC DIMENSION, MEASURING OF CIRCUMFERENCE IS REQUIRED
3. CONSTRUCTION per 49 CFR §178.504 (b)

MATERIAL:

1. DRUM BODY AND COVER CRCQ CARBON STEEL PER ASTM A1008 OR ASTM A568 OR OR EQUIVALENT
2. MATERIAL THICKNESS 1.5mm (0.0543 - 0.0590;16 GAUGE)
3. GASKET MAT'L PER ASTM D1056

FINISH:

1. DRUM EXTERIOR COVER PAINTED RED (LQ10017)
 BODY/BOTTOM PAINTED YELLOW (LQ10024)

ITEM	P/N	DESCRIPTION	QTY
8		UN DURABLE LABEL	1
7	LS0510	LOGO MULTI-LINGUAL SALVAGE DRUM	1
6	NT5800	NUT 5/8-11UNC HEXJAM NUT	1
5	BT5840	5/8-11UNC X 4in LONG HEX HEAD BOLT	1
4	RBH2212	BOLT RING (HP) 55G 12GA 5/8 LUG	1
3	GE5500	GASKET IN-COVER D EPDM	2
2	P2215	COVER 22.5 ID	1
1		BODY/BOTTOM 55 GALLON DRUM 22.5 ID	1

MFG BR	DRW LJT	CHK JG	UNLESS STATED OTHERWISE (DIMENSIONS IN PARENTHESIS ARE FOR REFERENCE ONLY!!!) ALL DIMENSIONS ARE IN INCHES DO NOT SCALE DRAWING TOLERANCES: FRACTIONS ±1/4 X° ± 3° X.X ± 0.2 X.XX ± 0.10 X.XXX ± 0.030
SLS DR	QA MD	APR G. Petersen	
FILE CREATED IN AutoCAD 2002		3 RD	

TARE WEIGHT:
60 lbs

THE USE OF INFORMATION CONTAINED HEREIN IS RESTRICTED FOR THE BENEFIT OF SKOLNIK INDUSTRIES ONLY. UNAUTHORIZED USE OR DISCLOSURE, COPYING OR OTHERWISE REPRODUCING (IN ANY MANNER) ANY PORTION OF THIS DRAWING WITHOUT PRIOR WRITTEN PERMISSION OF AN AUTHORIZED OFFICIAL OF SKOLNIK INDUSTRIES IS STRICTLY PROHIBITED.

SKOLNIK INDUSTRIES, INC.
 4900 SOUTH KILBOURN AVENUE, CHICAGO, IL 60632

DESCRIPTION
 55 GALLON OPEN HEAD DRUM
 1.5 - 1.5 - 1.5 CRCQ
 1A2/X430/S & 1A2/Y1.5/175

REL. DATE -	PART NUM. / FILENAME HM5501	REV A1
----------------	--------------------------------	-----------