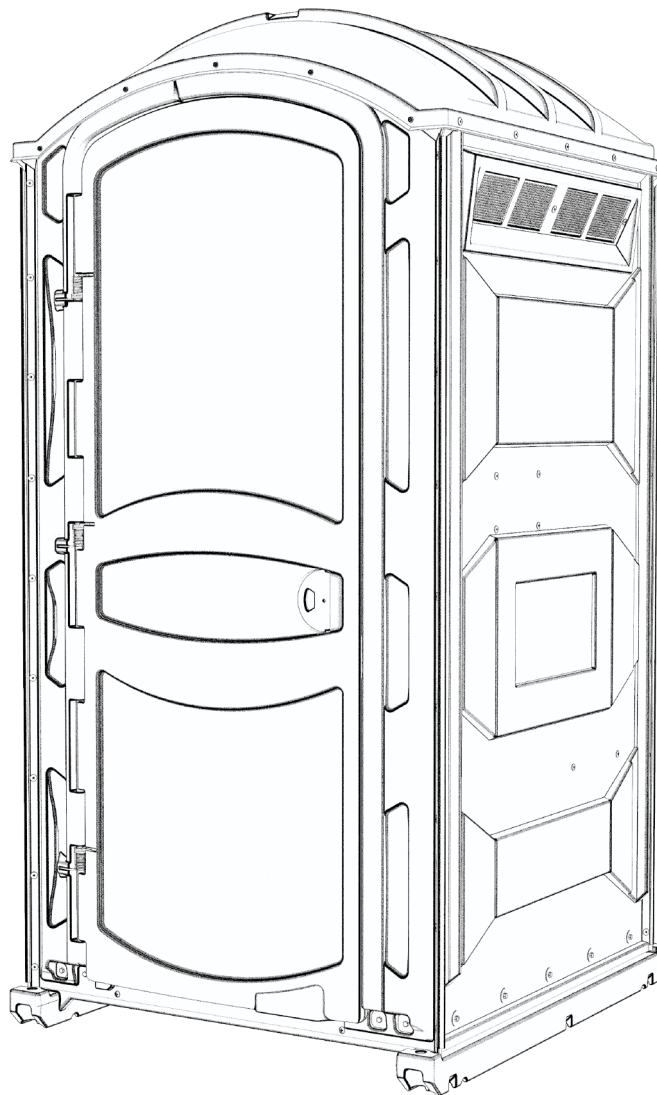


PJP4 SERIES FRESH FLUSH

PRODUCT INSTRUCTIONS



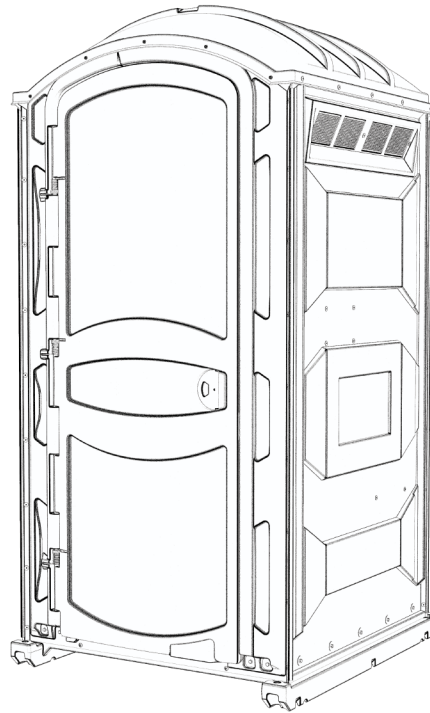
POLYJOHN[®]
there when you need us



NOTE: We recommend reading through the entire Assembly Instructions prior to proceeding with installation, service or maintenance. All references to left and right throughout this guide are as viewed from the front.

PRODUCT SPECIFICATIONS

PJP4 SERIES FRESH FLUSH



DIMENSION	IMPERIAL	METRIC
Exterior Height	91.0 in	231 cm
Interior Height	82.0 in	208 cm
Exterior Width	43.5 in	110 cm
Interior Width	41.0 in	104 cm
Exterior Length	47.0 in	119 cm
Interior Length	41.0 in	104 cm
Door Opening Width	26.25 in	66.5 cm
Door Opening Height	73 in	185.5 cm
Waste Tank Capacity	45 gal	170.5 ltr
Sink Tank Capacity	15 gal	57 ltr
Seat Height	19.0 in	48 cm
Weight with Standard Base	195.0 lb	88.5 kg
Weight with Grated Skid	189.0 lb	85.73 kg
Side Panel Decal Area	12 in x 22.75 in	30 cm x 58 cm
Door Panel Decal Area	28 in x 24.5 in	71 cm x 62 cm

PRODUCT OVERVIEW

PJP4 SERIES FRESH FLUSH

- When using air operated screw drivers or impact wrenches, be sure that the torque setting does not exceed 28 inch pounds.
- When using a battery-operated drill, set it to the lowest torque setting.
- Please follow the instructions in the order they are presented. It is suggested that you read through the entire assembly instructions prior to proceeding with the assembly.
- All references to left, right, front and rear throughout the entire assembly instructions are as viewed from the front of the restroom.
- All rivet holes drilled 13/64" dia.
- Use 1/4" disposable shim strips.
- The PJP4 Model restroom assembly will require two people.
- These instructions are for restrooms shipped unassembled. If you receive assembled units, please retain these instructions for maintenance and repair purposes.
- We strongly suggest that these restrooms, as with all portable structures, be transported and handled with care. Dropping the restroom when loading and unloading could cause damage to the door jamb and other components.

TOOLS REQUIRED FOR ASSEMBLY



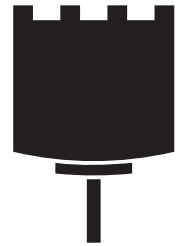
Drill



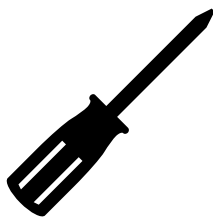
13/64" Drill Bit



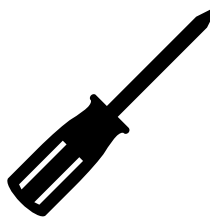
1-1/8" Hole Saw



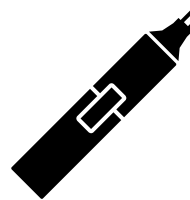
1-1/8" Hole Saw



Slotted Screwdriver



Phillips Cross-head
Screwdriver



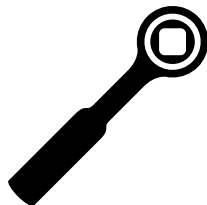
Marker



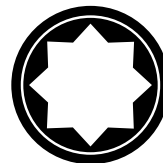
Rivet Gun with
3/16" tip



Awl



Socket Wrench



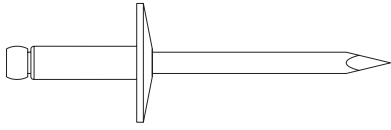
7/16" Socket



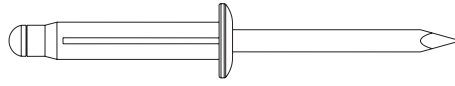
Tape Measure

FULL SIZE SCALE FASTENER DRAWINGS

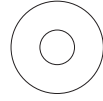
PJP4 SERIES FRESH FLUSH



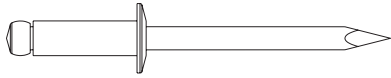
(48) PC-000100 Rivet Large Flange, Short



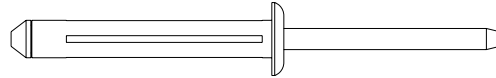
(7) PC-000105 Rivet Small Flange, Hollow Wall



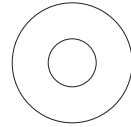
(83) PC-000106 Washer 3/16" Back-up



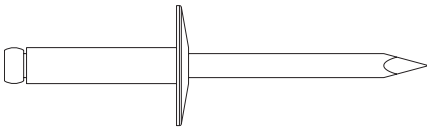
(9) PC-000102 Small Flange, Short Rivet



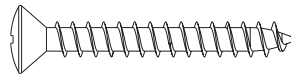
(1) PC-000117 Rivet Small Flange, Long Hollow Wall



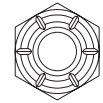
(5) PC-000123 Washer 1/4" x 5/8" Flat



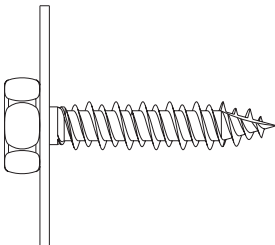
(28) PC-000103 Rivet Large Flange, Medium



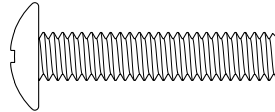
(1) PC-000158 Screw #10 x 1-1/2"



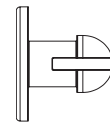
(5) PC-000140 Nut 1/4"-20 Nylok



(19) PC-000192 Sems Assembly 1/4" x 1-1/4" Self Tapping



(6) PC-000174 Screw 1/4" -20 x 1-1/4" Long



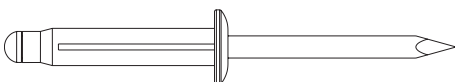
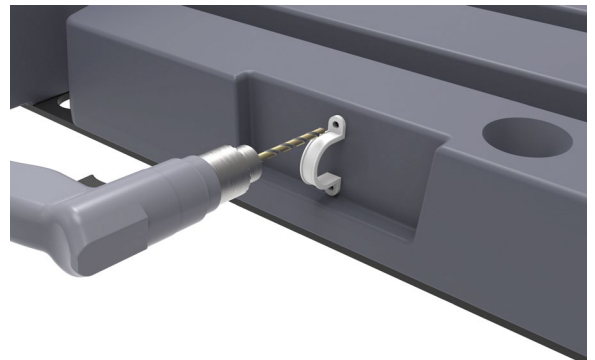
(4) PC-000367 Fastener Nylon Push

ASSEMBLY INSTRUCTIONS

STEP 1:

HOSE MANAGER LOCATION:

Place the base face down. Using the PC-000350 hose manager as a drill guide, drill 2 - 13/64" holes into the base in the location shown to the right. **Rivet only the side closest to the floor plate.**



PC-000105 Rivet
1 used in this step

ASSEMBLY INSTRUCTIONS

STEP 2:

DOOR JAMB AND FRONT ASSEMBLY TO BASE SKID:

Refer to Figure 1. To assemble the door jamb to the skid, stand two waste tanks on end about four feet apart (as shown). Stand a base skid with the tank space toward the ground and the four holes on the floor side of the base skid up. Position the front assembly on top of the tanks with the bottom of the front assembly resting on the base skid. (You may need to add a 4" x 4" on the tank at the top of the front assembly to level the top with the base skid). Cut the strap holding the door closed. Match up the four holes in the door jamb with the four holes in the base skid. Fasten the door jamb to the base skid with (4) PC-000174 screws, (4) PC-000123 washers, and (4) PC-000140 nuts using a Phillips cross-head screwdriver and a 7/16" socket wrench. Drive (4) PC-000192 sems lag screws through the two holes on the left and right sides of the front panel into the base skid. **CAUTION: DO NOT OVER-TIGHTEN; TIGHTEN ONLY UNTIL SNUG.** Stand the skid and front assembly upright.

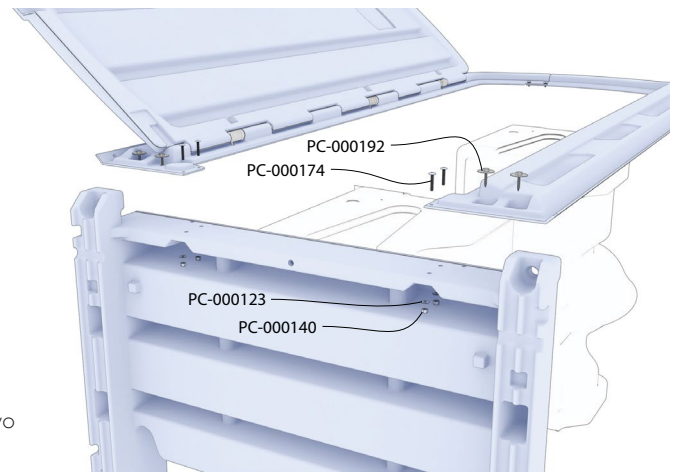
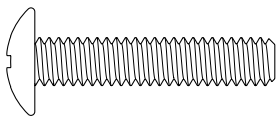
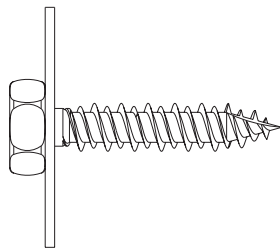


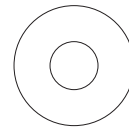
Figure 1



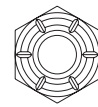
PC-000174 Screw
4 used in this step



PC-000192 Sems
4 used in this step



PC-000123 Washer
4 used in this step

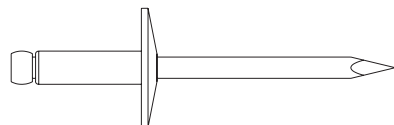


PC-000140 Nut
4 used in this step

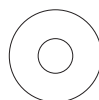
STEP 3:

CORNER MOLDINGS TO SIDE PANELS:

Refer to Figure 2. Place a wall panel on top, and one on each side of the tanks. The miter cut end of the corner moldings go towards the top of the side panel. Slip the corner moldings onto the edges of the top side panel. Lift and insert an edge of a side panel into the groove of the corner moldings. Insert awls into the second hole of the top and bottom edges to hold the panel and moldings in place. **NOTE: Drive all rivet heads from the front of the restroom, to give the unit a uniform visual appearance.** Rivet the 1/4" center hole first using a PC-000100 rivet and a PC-000106 back-up washer. Repeat for the remaining holes, then stand the three side panels and two corner moldings upright.



PC-000100 Rivet
18 used in this step



PC-000106 Washer
18 used in this step

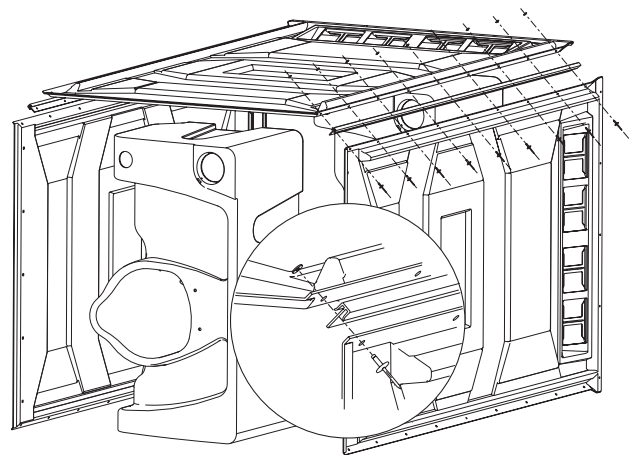


Figure 2

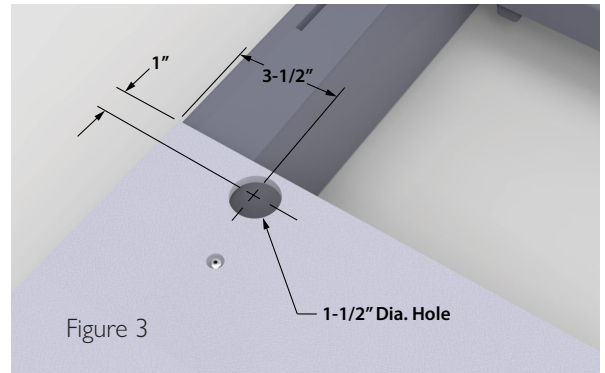
ASSEMBLY INSTRUCTIONS

PJP4 SERIES FRESH FLUSH

STEP 4:

DRILL PLUMBING HOLE:

Using a 1-1/2" hole saw, drill a hole through the floor plate in the location as shown in Figure 3.



FLUSH TANK ASSEMBLY

STEP 5:

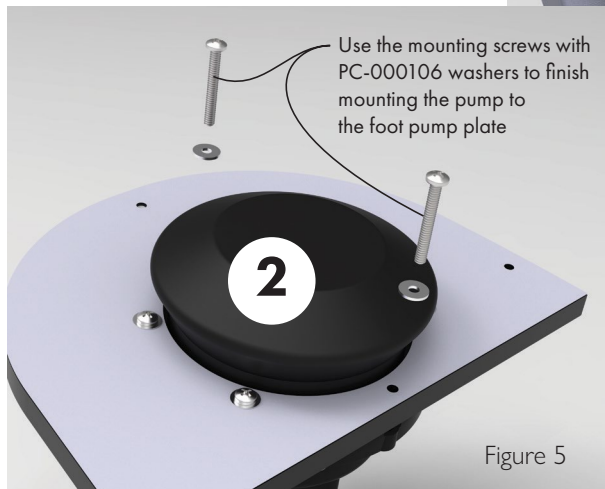
REMOVE FOOT PUMP ASSEMBLY:

Remove the foot pump assembly from the underside of the lid by removing the 2 - PC-000231 screws.

STEP 6:

SECURE FOOT PUMP TO FOOT PUMP PLATE:

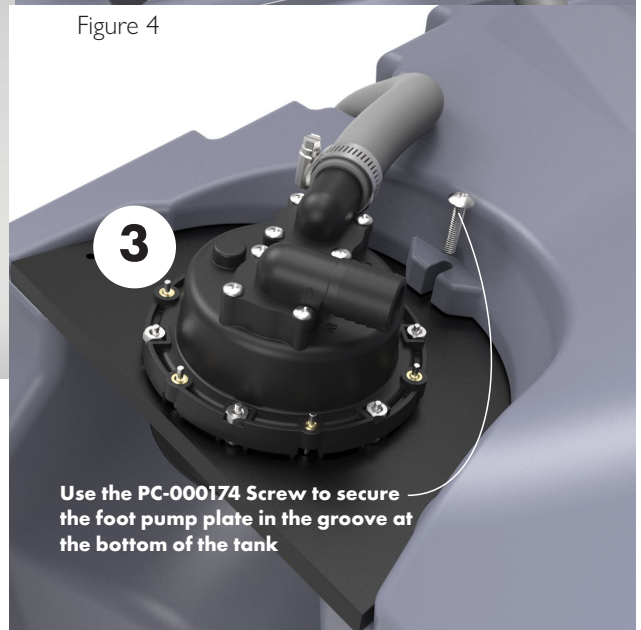
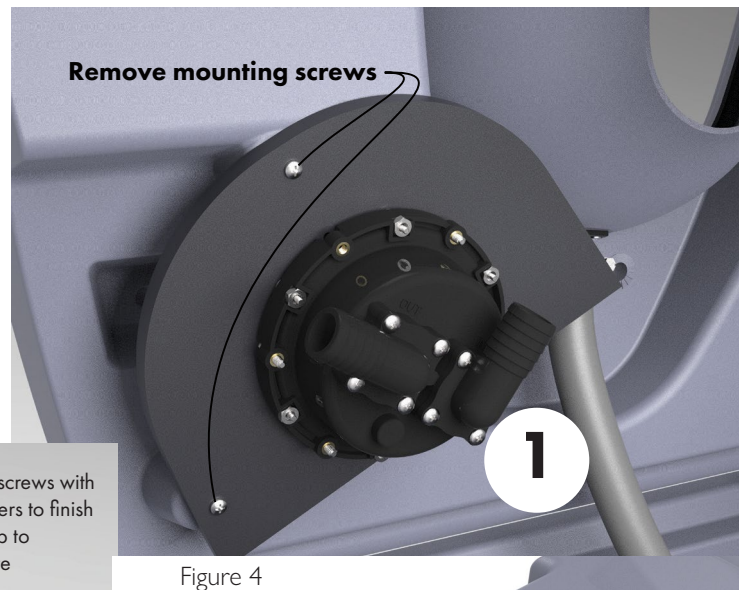
Using the mounting screws used for shipping along with the PC-000106 washers supplied, secure the foot pump to the foot pump mounting plate



STEP 7:

ATTACH FOOT PUMP ASSEMBLY TO BOTTOM OF TANK:

Slide the foot pump assembly into the groove at the bottom of the tank. Secure in place using a PC-000174 screw through the slot and into the hole of the plate. **Be sure not to overtighten and strip out the screw.** Pull the discharge hose out of the side of the tank and place a PC-000352 clamp over the end. Push the hose onto the discharge port on the pump and tighten the clamp to secure in place.



ASSEMBLY INSTRUCTIONS

PJP4 SERIES FRESH FLUSH

STEP 8:

CONNECT FRESH FLUSH PLUMBING:

Push one end of the CH075-089 black hose onto the 3/4" end of the PC-100327 elbow and secure in place with a PC-000351 clamp. Insert the PC-000417 Uni-Seal into the hole at the bottom of the sink. Using some dish soap as a lubricant, slip the end of the 89" long hose into the uni-seal. Continue pushing the hose into the sink until the elbow seats into the uni-seal.

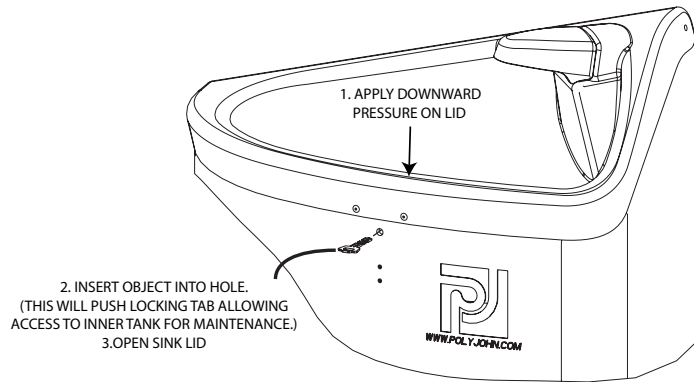


Figure 8

Open the sink, and pull the hose up and out of the sink. Insert a PC-000370 reducer in the end of the hose. It may be necessary to heat the end of the hose with a heat gun to make it more pliable. Secure in place with a PC-000351 clamp. Feed the end of the hose over the tubing that is connected to the spigot in the sink bowl. With the end of the hose at the bottom of the sink, place a PC-000253 cable tie around the hose, so that it is secured around the spigot tubing. Attach the 36" hose to the elbow located on the bottom right side of the sink. Place the sink into the unit and feed the 36" hose down through the 1-1/2" hole in the floor.

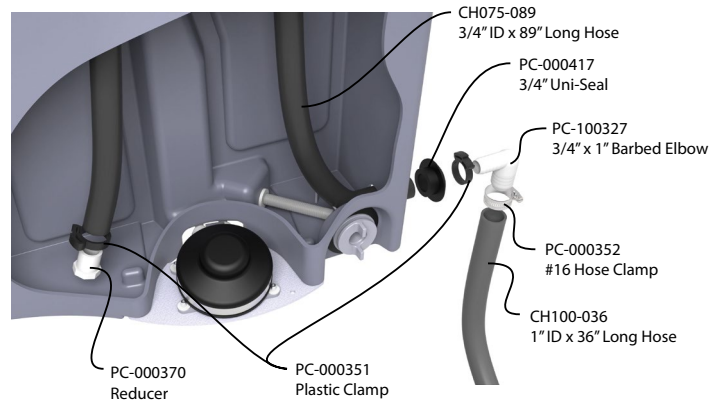


Figure 7

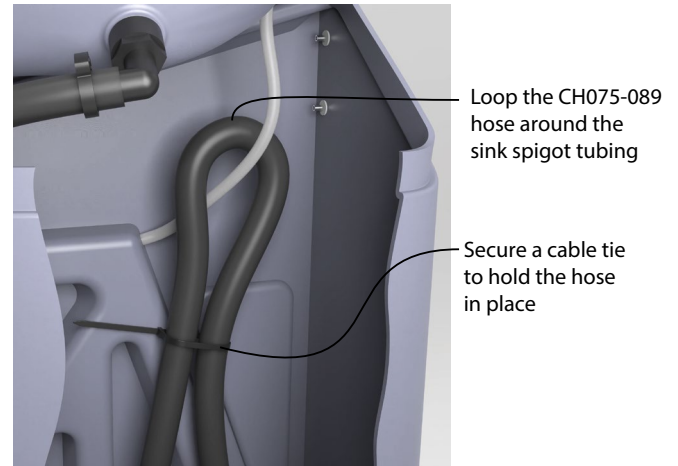


Figure 9

STEP 9:

DRILL SINK DRAIN HOSE HOLE:

Push the PC-000560 black plug into the hole drilled for the urinal. Using a 1-1/8" hole saw, drill a hole where the drain hose exits the rear of the sink and where it would go into the tank.l.



Figure 10

ASSEMBLY INSTRUCTIONS

STEP 10:

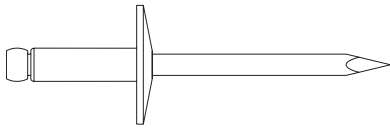
CABANA ASSEMBLY:

Place the holding tank into the opening in the base. Position the three side panels and corner molding sub-assembly around the base skid.

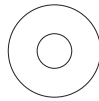
IMPORTANT - The walls of the cabana should be approximately 1/4" from the top surfaces of the base skid. Place 1/4" thick shims between the rear corners of the cabana, and the base skid; this will make the cabana structure level with the front assembly. To connect the front assembly, corner moldings, and side panels, begin at the front of the restroom. Insert a PC-000100 rivet through the center hole, while attaching a PC-000106 back-up washer from the back. Repeat for the remaining holes. (For a uniform visual appearance, drive all rivet heads from the front).

CAUTION: DO NOT PRE-DRILL HOLES IN THE BASE SKID; THE PC-000192 SEMS LAG SCREWS ARE SELF-THREADING. DO NOT OVER-TIGHTEN THE SEMS LAG SCREWS; TIGHTEN ONLY UNTIL SNUG.

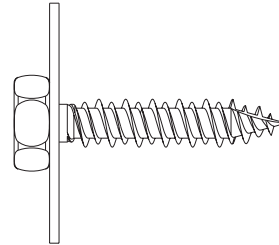
On the bottom of each wall panel, there are five predrilled holes, begin at the center hole of the rear panel. Use a 7/16" socket wrench, while pushing the rear wall panel against the base skid, drive-in the lag screws. Then continue with the side wall panels, starting with the front edge of each side, working towards the back.



PC-000100 Rivet
18 used in this step



PC-000106 Washer
18 used in this step

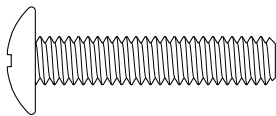


PC-000192 Sems
15 used in this step

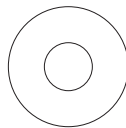
STEP 11:

WASTE HOLDING TANK INSTALLATION:

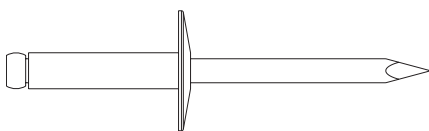
Refer to Figure 3. Position the tank so that it is centered between the left and right side wall panels and pulled up tight to the floor plate. There are drill spots on each of the side wall panels. The top four in-line drill spots on the rear wall panel are used to rivet the back of the holding tank to the rear wall panel. Of the top four drill spots on each of the side wall panels, only the two closest to the rear are used to rivet the sides of the holding tank to the side wall panels. While pushing the wall panels in flat against the tank, drill through the specified drill spots of the wall panels into the outer walls of the tank using a 13/64" drill bit. **CAUTION: DRILL ONLY THROUGH THE OUTER WALL OF THE HOLDING TANK. DO NOT DRILL THROUGH THE INSIDE TOP SURFACES OF THE TANK.** From the outside of the restroom one person will rivet through the drilled holes with PC-000103 rivets, while another person inside the restroom holds PC-000106 back-up washers on the rivet stems.



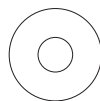
PC-000174 Screw
1 used in this step



PC-000123 Washer
1 used in this step



PC-000103 Rivet
8 used in this step



PC-000106 Washer
8 used in this step

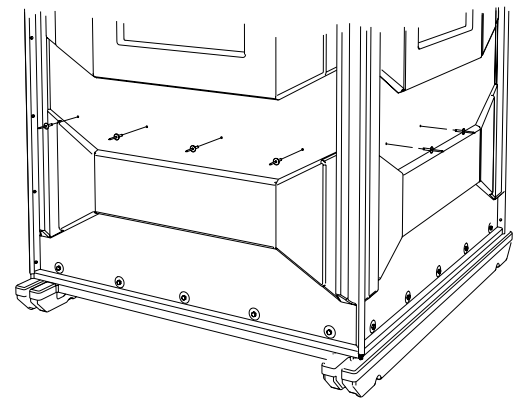
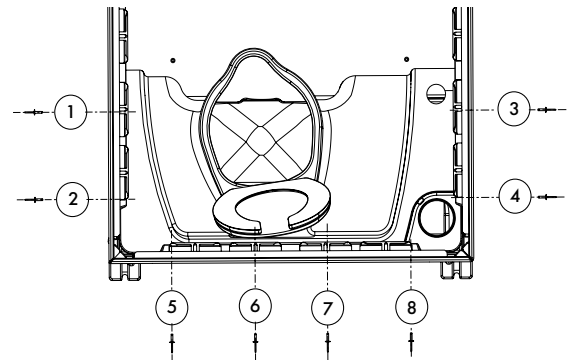


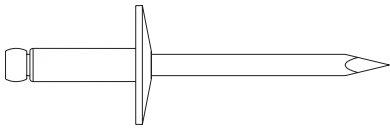
Figure 3

ASSEMBLY INSTRUCTIONS

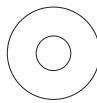
STEP 12:

ROOF INSTALLATION:

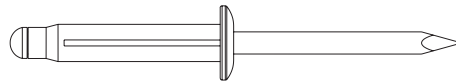
Position the roof over the wall panels, make sure the hole for the tank ventilation tube is above the corresponding hole in the holding tank. (The three side panels are supplied with predrilled holes at the top center of each panel. The roof is supplied with a predrilled hole in the center of all 4 sides.) Start with the right side panel of the unit. Align the predrilled top center roof hole to the center hole of the wall panel. From the outside of the restroom one person will rivet a PC-000100 rivet through the top center hole, while another person inside the restroom holds a PC-000106 back-up washer on the rivet stem. Repeat this step for the rear and left side panels. Center the roof on the front panel and while holding the roof firmly down, drill a hole into the front panel using the pre-drilled roof hole as a guide. Be sure to only drill through the first wall of the front panel. Rivet in place using a PC-000106 washer under the head of a PC-000105 rivet and rivet in place. Next, holding the roof firmly down, using the drill spots (dimples) in the roof for location, drill 13/64" holes through to the wall panels and front assembly (be sure to drill only through the front wall of the front panel). Rivet the roof to the front panel using PC-000105 rivets with PC-000106 washers under the head of the rivets. From the outside, rivet the roof to the sides/rear panels using PC-000100 rivets through the drilled holes while another person holds the PC-000106 backup washers on the rivet stems.



PC-000100 Rivet
15 used in this step



PC-000106 Washer
20 used in this step



PC-000105 Rivet
5 used in this step

STEP 13:

FLY SCREEN INSTALLATION:

(Each of the three sidewall panels has two vent screens. On the surface of each vent screen there is a date stamp symbol. The symbol goes toward the center of the sidewall panel, facing the inside.)

For each of the three sidewalls, insert one screen from each side of the vent slot and overlap the center holes at the date stamp symbol (as shown in Figure 4).

IMPORTANT - Make sure both screens together are centered in the vent slots. Drill a 13/64" hole through the center hole of the screen and into the sidewall. Rivet the screen in place from the outside using a PC-000100 rivet with a PC-000106 back-up washer on the inside. Using the hole at each end of the screen as a guide, drill 13/64" holes through the vent screens and into the sidewall panels. Rivet the screens in place using PC-000100 rivets on the outside with PC-000106 back-up washers on the inside.

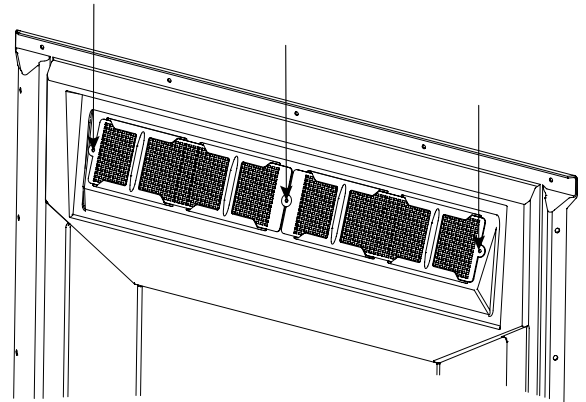
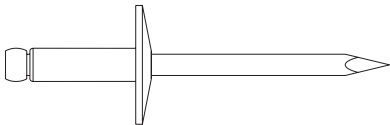
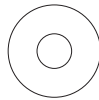


Figure 12



PC-000100 Rivet
9 used in this step

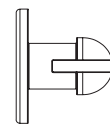


PC-000106 Washer
9 used in this step

STEP 14:

MIRROR:

The mirror is mounted into the square recess on the inside of the door with (4) PC-000367 nylon push rivets.



PC-000367 Fastener
4 used in this step

ASSEMBLY INSTRUCTIONS

STEP 15:

ROTARY LATCH, DOOR PULL INSTALLATION:

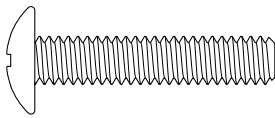
Insert the door pull into the front pocket of the door panel as shown in Figure 5. Be sure the tabs on the underside of the pull are clipped over the door and hold the door pull in the recess. On the inside of the unit, place the rotary latch in the pocket of the inside of the door. From the outside of the unit, secure both parts in place using a PC-000174 screw with a PC-000123 washer and PC-000104 lock nut on the inside of the unit. Tighten enough so that the rotary latch still is able to move freely while still being tight.



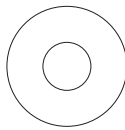
Figure 5



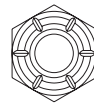
Figure 6



PC-000174 Screw
1 used in this step



PC-000123 Washer
1 used in this step

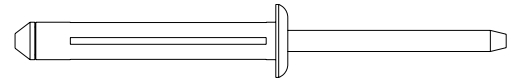


PC-000140 Nut
1 used in this step

STEP 16:

VENTILATION STACK INSTALLATION:

Force the vent stack up through the 4" diameter hole in the roof. (This is intended to be a tight fit.) Slide the vent stack down and into the 4" diameter recessed hole in the holding tank so that it rests on the round ledge of the hole in the tank. Drill a 13/64" hole through the boss and vent stack. Fasten the vent stack in place with a PC-000117 rivet.



PC-000117 Rivet
1 used in this step

STEP 17:

TOILET SEAT INSTALLATION:

Push the lid onto the seat (lining up the holes of the lid with those in the seat). Line up the holes of the hinge bolts with those in the seat/lid. From the outer edge, push the pins through the holes until flush. Place the seat/lid on to the tank (inserting the bolts through the holes in the tank). Use pliers to tighten the nuts.

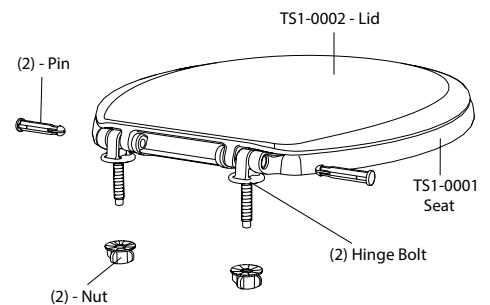


Figure 15

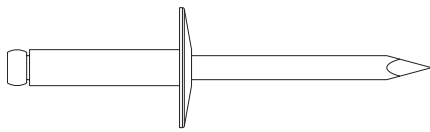
ASSEMBLY INSTRUCTIONS

STEP 18:

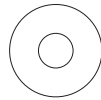
SINK INSTALLATION:

Refer to the image to the right for hole locations for sink mounting. Making sure the sink is in the correct place on the left side of the unit and pressed tight against the side wall, drill 2 - 13/64" holes in the locations shown through the side wall and sink. Open up the sink and rivet in place using PC-000103 rivets from the outside with PC-000106 washers on the inside of the sink.

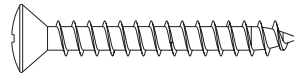
On the inside of the unit, make sure the bottom of the sink is pressed tight against the side wall. Drive a PC-000158 screw through the hole in the foot pump plate and into the floor plate.



PC-000103 Rivet
2 used in this step



PC-000106 Washer
2 used in this step



PC-000158 Screw
1 used in this step

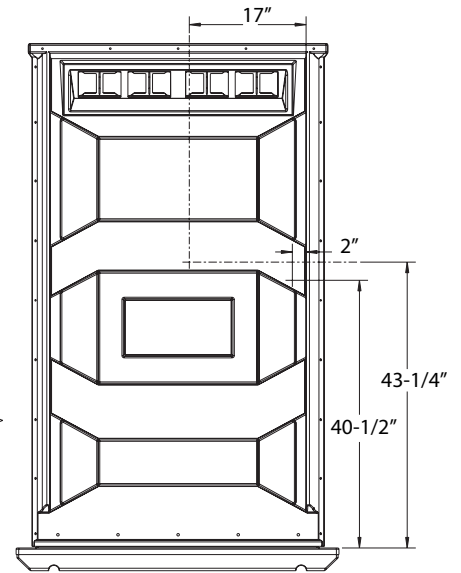
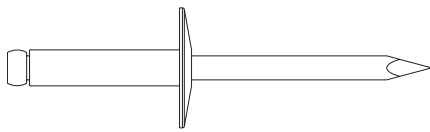


Figure 16

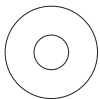
STEP 19:

SOAP DISPENSER INSTALLATION:

Refer to Figure 17 for suggested placement of the soap dispenser and paper towel dispenser. Remove the lid of the soap dispenser by turning counter-clockwise and lifting off. Separate the soap container from the mounting plate by pushing back on the locking tab and lifting the container up. Using the mounting plate as a drill guide, drill 3 - 13/64" holes into the side wall. Rivet in place using PC-000102 rivets from the outside with PC-000106 washers on the inside of the unit. Reassemble the soap dispenser.



PC-000103 Rivet
3 used in this step



PC-000106 Washer
3 used in this step

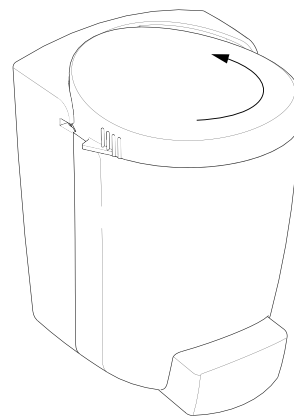


Figure 18

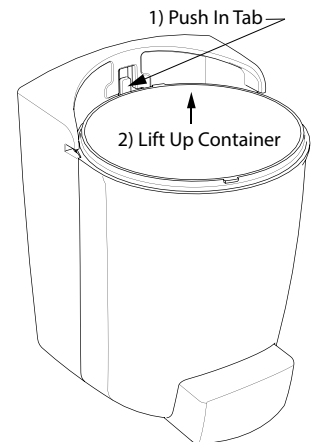


Figure 19

ASSEMBLY INSTRUCTIONS

STEP 20:

PAPER TOWEL DISPENSER INSTALLATION:

Refer to Figure 17 for suggested placement of the soap dispenser and paper towel dispenser. To open the dispenser, position your hands on both sides of the dispenser cover (as shown in Figure 20). While pulling out on both sides lift up the cover and pull down towards yourself. Using the mounting holes in the backing plate as a drill guide, drill 4 -- 13/64" holes into the side wall. Rivet in place using PC-000102 Rivets from the outside with PC-000106 washers on the inside. Fit the cover back in place.

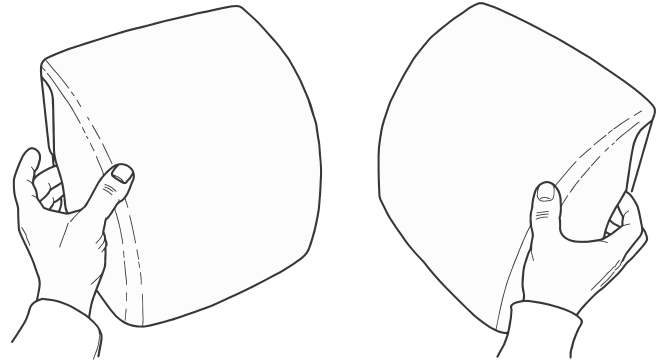
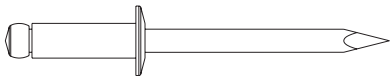
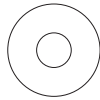


Figure 20



PC-000102 Rivet
4 used in this step

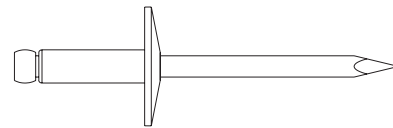


PC-000106 Washer
2 used in this step

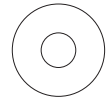
STEP 21:

TOILET PAPER DISPENSER INSTALLATION:

The double roll dispenser is mounted up on the right wall panel. Position the dispenser on the top edge of the second raised panel directly below the fly screens at the desired location. **CAUTION: BE SURE THE LOCATION OF THE DISPENSER IS NOT IN THE WAY OF PERSONS USING THE RESTROOM.** Level the dispenser on the wall. Using the holes in the back of the dispenser as a guide, mark the locations for the drill holes with a marker. Drill four 13/64" holes into the drill spots marked. From the outside rivet into the holes just drilled with (4) PC-000100 rivets while someone places (4) PC-000106 backup washers onto the rivet stems on the inside.



PC-000100 Rivet
4 used in this step

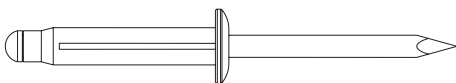


PC-000106 Washer
4 used in this step

STEP 22:

FLUSH PLUMBING CONNECTION:

Gently lay the unit back on the rear panel. Route the fresh water intake hose as shown in Figure 10. Place a PC-000352 hose clamp on the end, push the hose on the intake elbow of the foot pump and tighten the clamp in place. Rivet the other side of the PC-000350 hose manager at this time. Gently stand the unit back up.



PC-000105 Rivet
1 used in this step

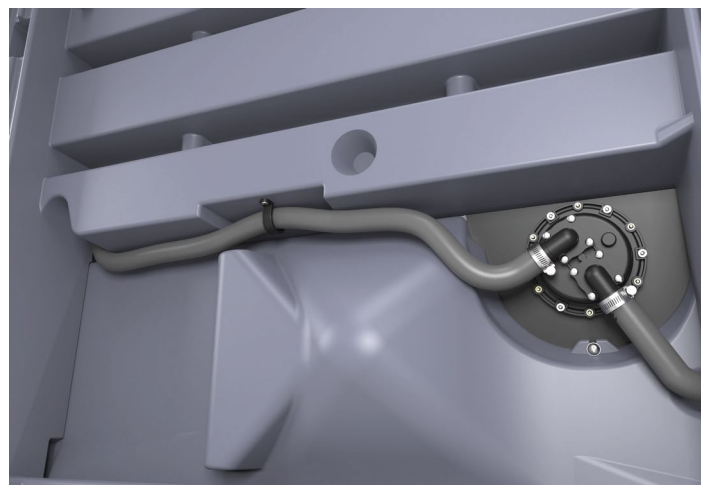
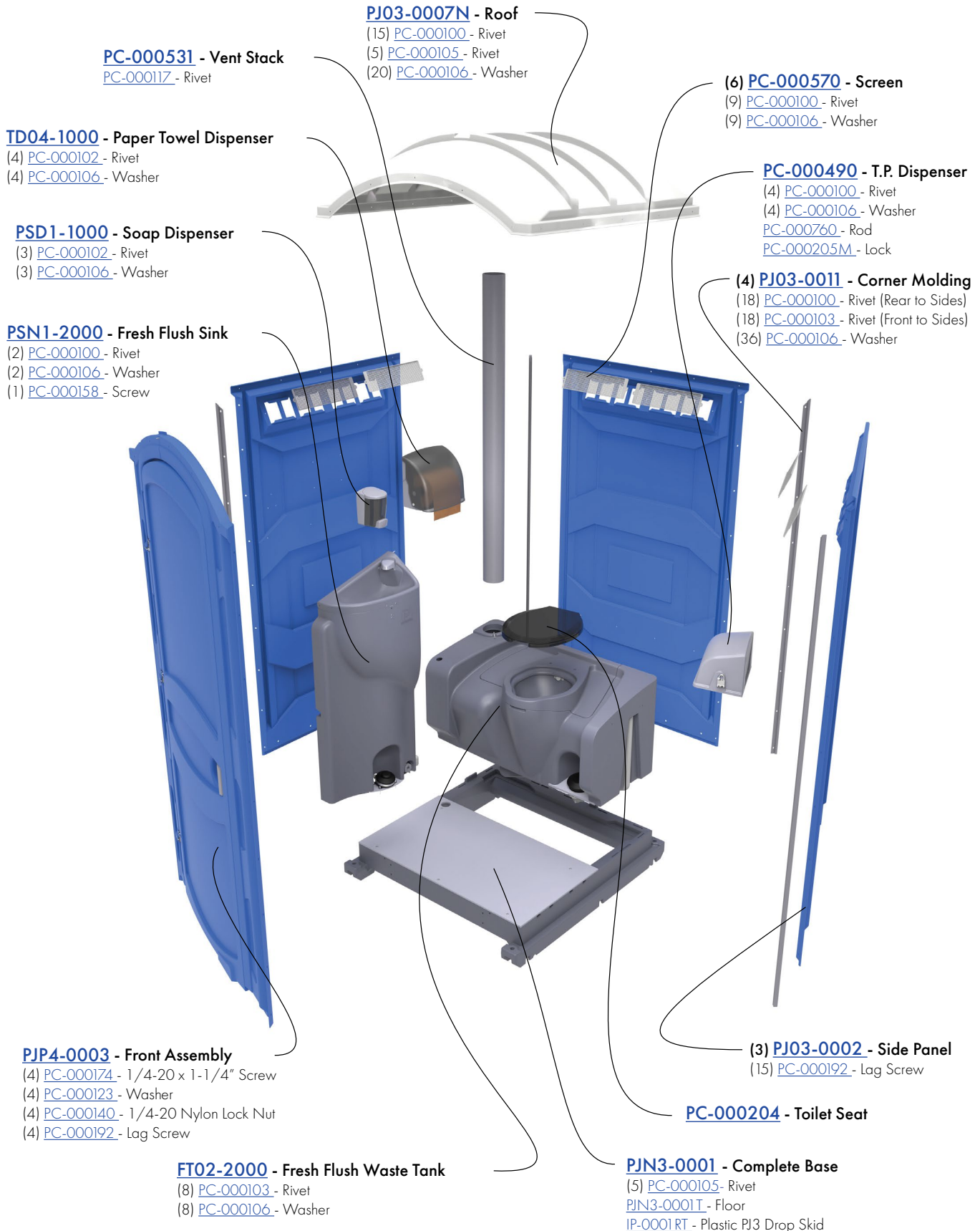


Figure 21

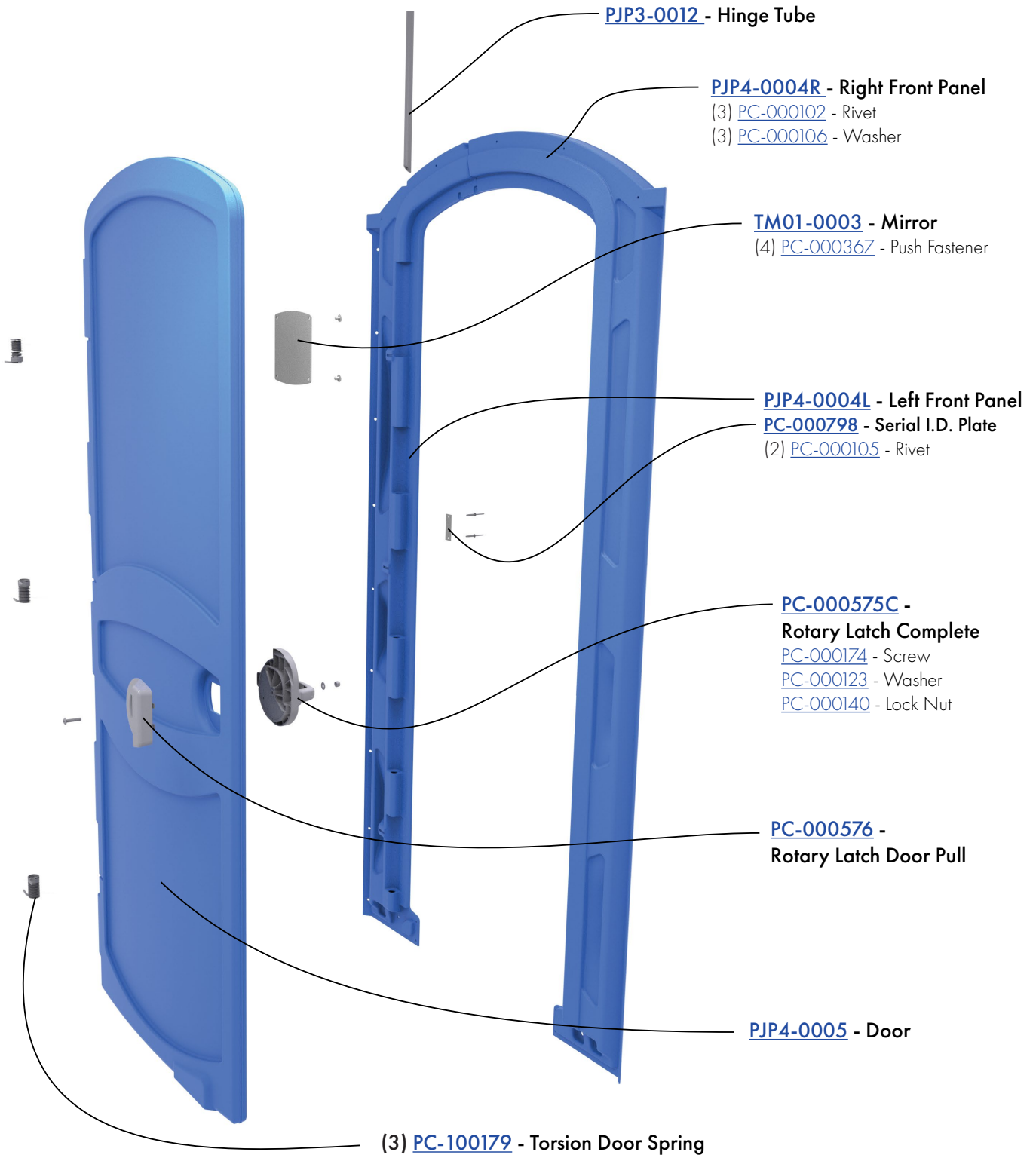
PARTS DIAGRAM

PJP4 SERIES FRESH FLUSH



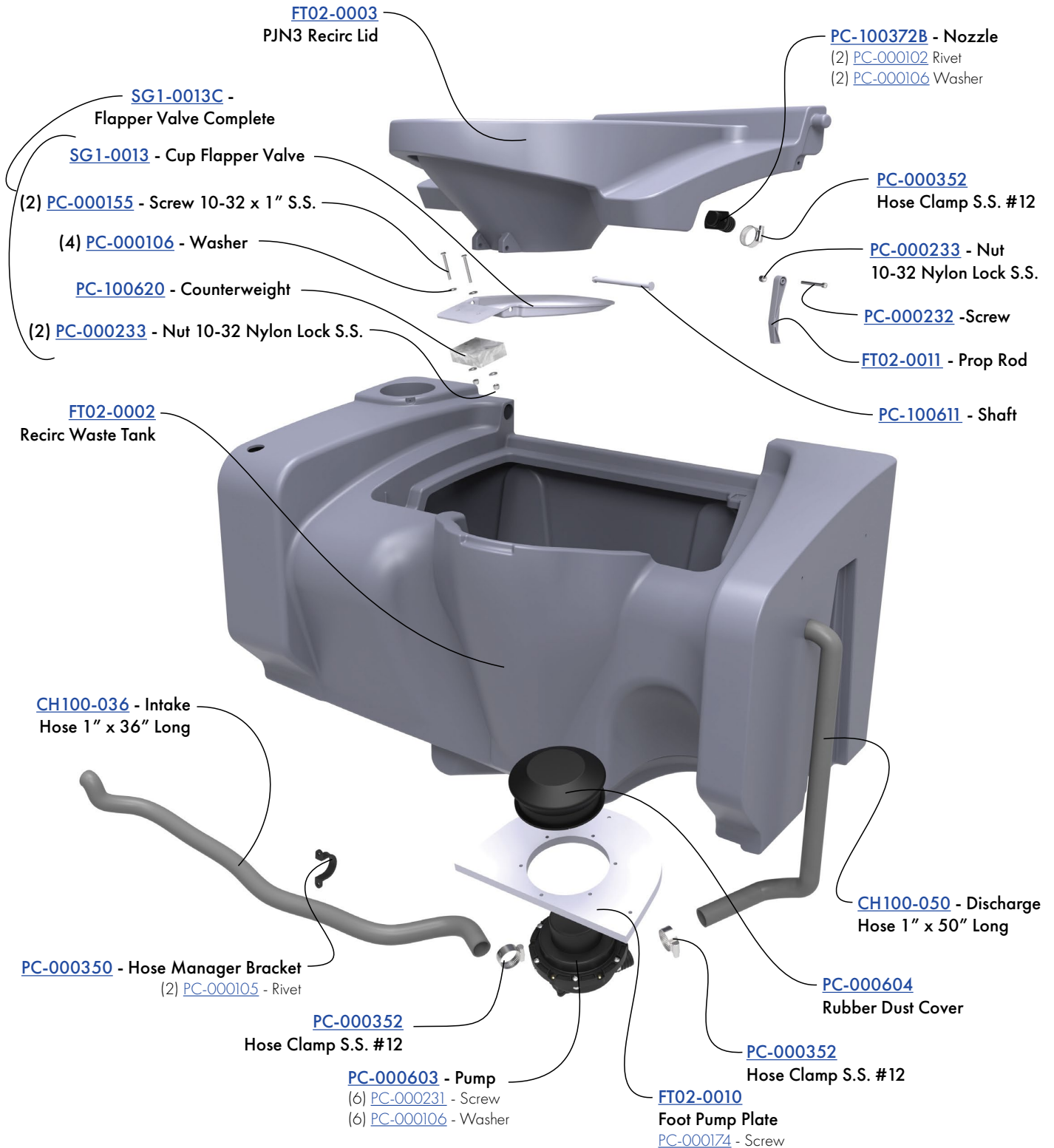
PARTS DIAGRAM FRONT ASSEMBLY

PJP4 SERIES FRESH FLUSH



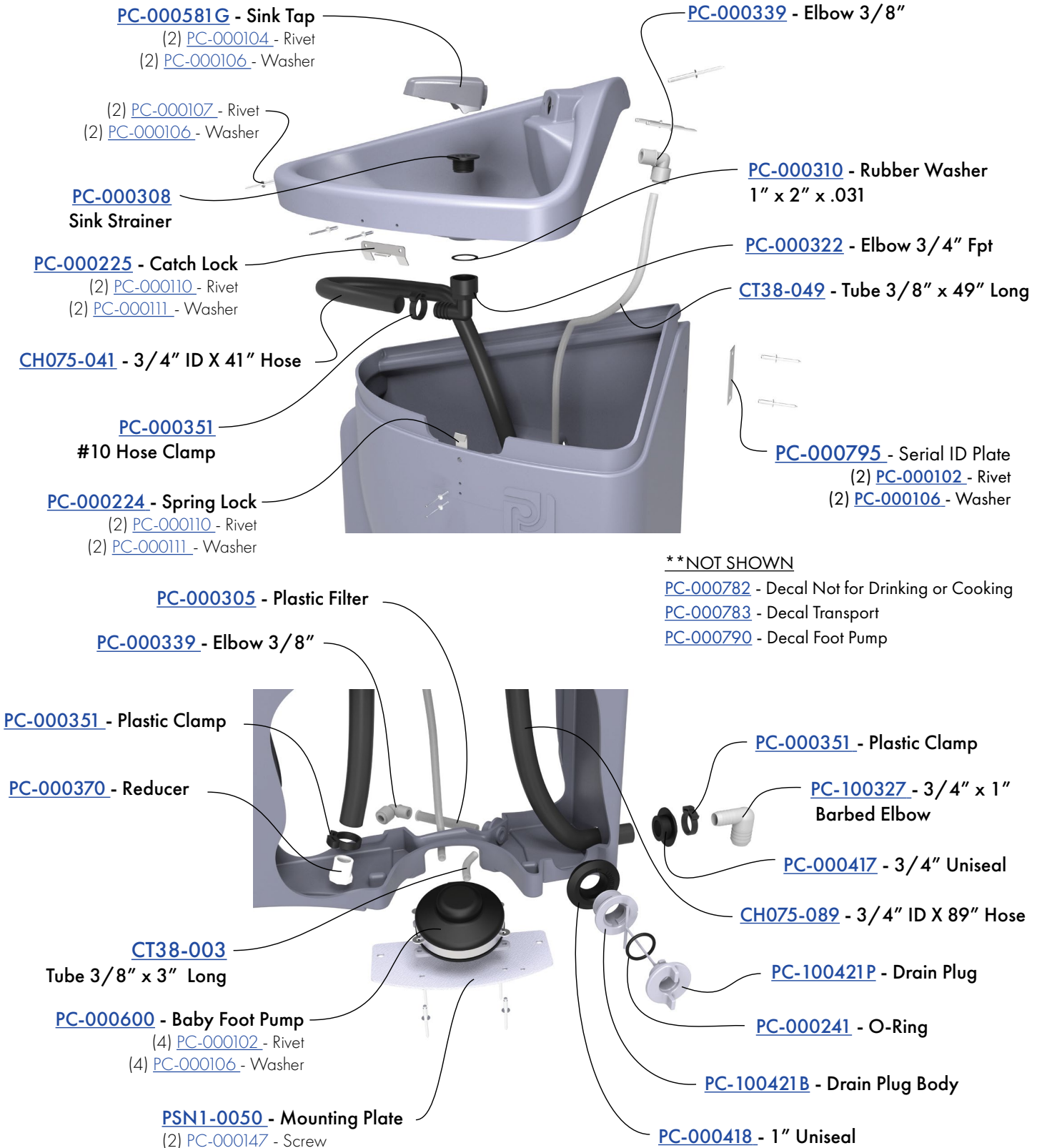
PARTS DIAGRAM FRESH FLUSH TANK

PJP4 SERIES FRESH FLUSH



PARTS DIAGRAM FRESH FLUSH SINK

PJP4 SERIES FRESH FLUSH

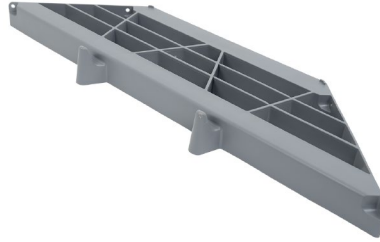


OPTIONAL ACCESSORIES, SUPPLIES AND CHEMICALS

PJP4 SERIES FRESH FLUSH



Liquid Soap Dispenser
PSD1-1000



Interior Shelf
SU3-0002PJ - PJ Model
SU3-0001F - Fleet Model



Deodorizing Packages

For a complete list of all our accessories, visit www.polyjohn.com/products/additional-products.html

For a complete list of all our chemicals, visit www.polyjohn.com/supplies/pros-choice.html

CLEANING AND MAINTENANCE

Use a mild soap to clean all surfaces and component parts.

Minor scratches and abrasions can be lightly sanded or scrubbed with a mild abrasive cleaner (such as "Soft Scrub") that contains calcium carbonate, hypochlorate bleach and detergents. Be sure to follow the cleaning product directions since these ingredients may cause hazardous gases when mixed with other chemicals. Rinse the cleaned area and buff with a conventional wax.

Some light scratches may also be hidden by using an industrial hot air gun.

If sink is installed add a "Fresh Sink Tablet" (*chlorinated tablet*) each time the sink is filled with water to keep the water fresh.

For a source of cleaning, deodorizing and paper products contact:

PRO'S CHOICE
2500 GASPAR AVE.
WHITING, IN 46394-2175
800-292-1305
www.polyjohn.com/products/supplies/pros-choice.html

We highly recommend membership in the Portable Sanitation Association International (PSAI); the worldwide authority on portable sanitation services. The PSAI, "Portable Sanitation Industry Certification Program" manual contains a wealth of information on standards and service procedures. For more information contact the PSAI:

PORTABLE SANITATION ASSOCIATION INTERNATIONAL (PSAI)
7800 METRO PARKWAY, SUITE 104
BLOOMINGTON, MINNESOTA 55425 USA
800-822-3020 / 612-854-8300 FAX 612-854-7560
www.psa.org

INSTRUCTIONS FOR USE

PJP4 SERIES FRESH FLUSH

Follow these instructions for setting up your portable restroom:

- **Step 1** – Charge the tank – this refers to filling the waste tank with approximately 5 gallons (19 liters) of fresh water. The tank must be charged with fresh water first. Charging the tank will allow deodorizers (once added) to be activated.
- **Step 2** – Add deodorizers to waste tank – This is a critical step. These deodorizers help to break down the waste and relieve the smell. Deodorizers added to the waste tank will dissolve in the water charge. These deodorizers are most always dyed blue. In the portable toilet industry the deodorizers are often referred as just that – blue. Deodorizers come in a variety of forms: pucks, packets, and liquid. They also come in a variety of scents. To find out more information on deodorizers PolyJohn offers, visit <https://www.polyjohn.com/supplies/pros-choice.html> or call 800-292-1305 to speak to a representative.
 - **Note:** Amount of deodorizer used depends on what form you purchase and its use.
- **Step 3** – To get rid of the waste in your tank you must call your local portable restroom operator to vacuum out the waste, or if tank is equipped with dump valve, by bringing it to a local RV dump site or waste treatment plant.

This concludes standard restroom set up. Your restroom is ready for use. For restrooms with options such as sinks & flushable tanks follow the below instructions accordingly:

- **Restroom with Sink** – The grey water from the sinks is designed to empty into the waste tank. Water capacity of sinks varies. Visit the PolyJohn website at <https://www.polyjohn.com/products/portable-sinks/> to find your sink. Under the specifications tab on each product page it will tell you the sink capacity. You can also download the user guide if you click on the yellow “Product Documents” button.
 - To open the PJN3 and Fleet sink either insert a small tool in the hole in the front of the sink where the sink bowl & tank meet, or press firmly in this area. This will release the metal latch to lift the lid. The sink can be filled from that opening.
 - For the Single User Wash Station there is a port hole to fill with fresh water.
 - To completely empty your sink there is a drain port at the bottom.
 - For pictures, videos, and manuals for each sink visit <https://www.polyjohn.com/products/portable-sinks/> and find your sink.
- **Fresh Flushing Tank Option** – Fresh flushing tank options always require a sink. The flushing capability of the bowl draws fresh water from the sink to flush. Follow the instructions above to find the water capacity of your sink.
- **Soap Dispenser** – PolyJohn’s own designed liquid soap dispenser can be filled with any non-foaming liquid soap. Just twist the lid and fill with your liquid soap.
- **Foam Dispenser** – PolyJohn offers a foaming hand sanitizer dispenser. Specially designed hand sanitizer refill packets are required for this dispenser. You can find them by visiting <https://www.polyjohn.com/supplies/pros-choice.html>.
- **Paper Towel Dispenser** – PolyJohn’s paper towel dispenser can be filled with either folding towels, or rolls. The recommended towels are Tork Universal Hand Towel Roll (Item# RK350A) or Georgia-Pacific Envision® Singlefold Towels (item # GP-23504).
- **Toilet Paper Dispenser** – PolyJohn offers a 2 roll dispenser, or a 3 roll dispenser. The dispenser rod is designed for small core toilet paper rolls, but can work with standard rolls if desired.

For more information including pictures, videos, and documents for each product please visit www.polyjohn.com. You can also call 800-292-1305 and talk to one of our customer service representatives.

Prop 65

PolyJohn Corporation would like to inform any customers or end users that some products may contain chemicals listed in California's Safe Drinking Water & Toxic Enforcement Act of 1986. Commonly referred to as Proposition 65, this Act establishes a list of chemicals known by the State of California to present a risk of cancer, birth defects, or other reproductive harm.

Chemical exposure typically occurs through inhalation, ingestion, or adsorption. PolyJohn products are not intended to be used in these methods. PolyJohn Corporation cannot foresee all uses of their products (both intended and unintended uses) and as a result has opted to provide a general warning of known chemical presence.

The Proposition 65 chemical list can be found at <http://www.P65Warnings.ca.gov>

The following warnings are labels placed on affected products. If these labels are not present then they do not apply to that product.



WARNING: This product can expose you to chemicals including 4-Vinylcyclohexene which is known to the State of California to cause cancer and birth defects or other reproductive harm. For more information go to www.P65Warnings.ca.gov.

4-Vinylcyclohexene label above to be used any product made with Bayblend T85



WARNING: This product can expose you to chemicals including titanium dioxide, which is known to the State of California to cause cancer. For more information go to www.P65Warnings.ca.gov.

Conflict Minerals Compliance Statement

Section 1502 of the Dodd-Frank Wall Street Reform and Consumer Protection Act, and the Securities and Exchange Commission Rules adopted in connection therewith, require certain corporations to report the use of "Conflict Minerals" in the manufacture of their products. Generally, Conflict Minerals collectively refers to cassiterite, columbite-tantalite, gold, wolframite, or their derivatives, including tantalum, tin and tungsten, which originate from the Democratic Republic of the Congo or specified adjoining countries (referred to herein as "Covered Countries").

While we, as a privately held corporation, are not subject to the Conflict Minerals rules and reporting requirements, we understand that our customers may be, and we are committed to helping our customers comply with their reporting requirements. In order to determine if our manufactured products contain Conflict Minerals, we have asked our relevant suppliers, as of September 1, 2020, to ascertain their use of any Conflict Minerals in the materials they supply to us. Their responses demonstrate that our relevant suppliers (i) do not use Conflict Minerals in the materials they supply to us, (ii) have no reason to believe the Conflict Minerals they use may have originated in the Covered Countries, and/or (iii) reasonably believe that the Conflict Minerals they use are from recycled or scrap sources. Consequently, we can in turn represent that, to the best of our knowledge, our manufactured products either do not contain Conflict Minerals, or to the extent they may, such products are "DRC conflict free" as defined by paragraph (e)(4) of Section 1502.

We will continue to work with our key suppliers to ensure that we are able to identify the use of Conflict Minerals in our supply chain, and the representations made in this compliance statement remain accurate. To that end, we reserve the right to amend this statement at any time based on subsequent developments or information.

Should you have any questions or concerns regarding this statement, please do not hesitate to contact us.

REACH Compliance

We certify that all components of the PolyJohn PSW3-1000 conform to REACH standards.

Specifically, we cite Article 7 of the Standard which indicates as follows:

Article 7(1) requires Producers and Importers of products to register with the ECHA chemical substances that are intentionally released from the products during use.

-No chemical substances are intentionally released from the product during use.

Article 7(2) requires Producers and Importers of products to notify the ECHA of the content of Substances of Very High Concern (SVHCs) if the concentration of SVHC is above 0.1% weight by weight (w/w) and the total amount put on the EU market by the subject company is more than 1 ton a year.

-No SVHC's exist in concentrations above 0.1% weight to weight (w/w) in the product.

We will maintain adequate documentation of this certification for inspection upon request.

Reduction of Toxics in Packaging

We certify that all packaging and packaging components comply with the requirements of the toxics in packaging law(s). Specifically: U.S. Toxics in Packaging Clearinghouse Standard and/or The European Parliament and Council Directive 94/62/EC of 20 December 1994 on packaging and packaging waste last amended by Directive 2018/852.

- 1) We certify that the regulated chemicals – lead, mercury, cadmium, and hexavalent chromium were not intentionally added to any package or packaging component during the manufacturing process.
- 2) We further certify that the sum of the incidental concentration levels of lead, mercury, cadmium and hexavalent chromium present in any package or package component does not exceed acceptable levels of parts per million by weight.
- 3) We further certify that no materials used to replace the regulated chemicals are present in a quantity or manner that creates a hazard as great as or greater than the hazard created by the regulated chemicals.
- 4) We will maintain adequate documentation of this certification for inspection upon request.

Toilets and Restrooms

Q: Can I use a toilet unit on my own, or do I need a professional?

A: It is illegal to dispose of human waste in an improper way. You can purchase a portable toilet for your own personal use, but you will need to hire a professional portable toilet operator to empty and dispose of the waste when needed.

Q: Can any toilet unit have a sink added to the inside?

A: Not every unit can house an interior sink. The Comfort XL and We'll Care units do not have interior sinks. The PJN3, PJP3 and Fleet do have interior sinks. All Fresh Flush units require a sink to operate, but static and recirculating flush units can add a sink.

Q: How do I initially set up a portable toilet for use?

A: For each new use of an emptied tank, it needs to be charged with 5 gallons of water and a chemical often referred to as "blue" in the industry. It contains dyes and enzymes designed to break down waste.

Q: Can I replace parts on my toilet?

A: Absolutely. We offer all our parts as replacements. Just call into PolyJohn or contact your local rep to place an order.

Q: My toilet has a dump valve, can I use that to empty the waste tank?

A: You can use the dump valve to empty the tank, but it needs to be done at an RV dump station that has the proper equipment and treatment on site. You can also hire a local portable toilet operator to empty the waste tank.

Q: In my recirculating unit where does the water come that flushes the toilet bowl?

A: A recirculating unit takes the water that is inside the tank and uses it to flush the toilet bowl. Yes, it is the used water inside the tank. Do not be worried about this. There are two separate filters that filter out any solid substance before it comes to the bowl. And this water has been mixed with the powerful chemicals that break down waste inside the tank. This saves fresh water usage while still getting the benefits of flushing.

Q: How does the fresh water flush toilets work?

A: Unlike the recirculating toilets, the fresh water models require a sink. The bowl flushing mechanism draws fresh water from the sink to flush. The sink also uses the fresh water for hand washing and the gray water drains into the toilet tank.

Q: My screen broke, how do I replace it?

A: The screens can be removed and replaced by drilling out the rivets, sliding the screen out, sliding the new one in and re-riveting the screens in place.

Q: You don't have the old style urinal anymore, so will a new style work? If so, what do I need to do to modify my unit so the new urinal will fit?

A: The new PolyJohn Urinal has been completely redesigned. The new design has been proven to be the best shape and form to keep splash-back to a minimum. The side walls are much higher and there is no lip on the inside. This will help keep the urinal clean. The entire urinal has smooth surfaces as well to aid in cleaning. The new urinal can also hold 5 pounds of salt for colder climates. To help your customers who might need something to shoot for. To install the new urinal on old tanks, you will need 4 - PC-000102 Rivets, 4 - PC-000106 Washers, and 1 PC-000557 Cap.

WARRANTY

RESTROOMS AND TOILETS

POLYJOHN PORTABLE RESTROOMS LIMITED 3 YEAR PRODUCT WARRANTY

PolyJohn Enterprises Corp. warrants the major plastic parts of its portable restrooms (plastic front, wall panels, roof, and tank) against any breakage or other problems that prevent the PolyJohn portable toilet from functioning in accordance with usual practices used in the portable toilet industry and in their intended manner. This warranty covers any damages in material or workmanship for a total period of 3 years (36 months). This warranty extends only to the original purchaser of the PolyJohn portable restroom. Proof of purchase, serial numbers, and photos will be required.

SINKS, TANKS, TRAILERS AND SANISTANDS

PolyJohn Enterprises warrants our sinks, tanks, trailers and sanistands from the date of purchase. Any misuse or abuse of our products or failure to properly follow recommended procedures shall void this warranty. The warranty is a 1 year limited warranty and a 90 day limited warranty for components thereof.

What is Not Covered By Warranty

This warranty does not cover damage or failure contributed to or caused by: Not following PolyJohn assembly procedures, unauthorized modification, acts of God, mishandling, misuse, use of incompatible solvents or other damaging chemicals, vandalism or accident. In no event shall PolyJohn be liable for labor costs or for incidental or consequential damages.

For full details on PolyJohn's warranty policy, and to view instructions for submitting a claim please visit <https://www.polyjohn.com/warranty/>.

Warranty Disclaimer

PolyJohn's terms of sale are FOB (Free on Board Shipping Point). Meaning buyer takes on responsibility once it leaves PolyJohn's shipping dock. The carrier is wholly responsible for any damage incurred during transit. Important notice: All concealed/non-notated damages must be reported within 5 business days of delivery (1st day is the day of delivery) as per the National Motor Freight Classification (NMFC) – Rule 300100 - for a damaged claim to be filed. Reporting after this time will void a claim.

In order to prevent warranty disputes follow these steps immediately when receiving your products:

1. Inspect the shipment immediately and insist that visible damages be indicated on your copy of the freight bill. If they are not noted on the freight bill it is very likely a claim will be denied.
2. Open the shipment if necessary, and inspect for any concealed damages.
3. If there are any damages that you cannot operate with you may refuse shipment. After you do this contact us immediately

Filing Process for Warranty

PolyJohn reserves the right to request inspection of products for verification of defect, which may include returning some or all of the parts with shipping paid for by the purchaser. Once the items have been returned, inspected, and PolyJohn is found at fault shipping costs will be reimbursed. You may contact PolyJohn to arrange for return shipping if desired.

To file your warranty claim follow these steps:

1. Go to [polyjohn.com/warranty/](https://www.polyjohn.com/warranty/)
2. Fill out necessary contact information
3. Fill in invoice number, date of purchase, product, and product serial numbers.
4. Upload an images of affected products
5. Submit and someone will be in contact with you as soon as possible.

OUR MISSION STATEMENT

"PolyJohn is a family owned, state of the art, plastics manufacturing company dedicated to providing its employees with a work environment committed to excellence, and its customers with innovative products, services and technology that meet or exceed their requirements."

THANK YOU FOR PURCHASING POLYJOHN PRODUCTS!



POLYJOHN[®]
there when you need us

POLYJOHN USA
+1 800-292-1305
Whiting, Indiana
www.polyjohn.com

POLYJOHN INTERNATIONAL
UNITED KINGDOM
+44 (0) 1937-583333
Yorkshire, England
www.polyjohn.co.uk

POLYJOHN INTERNATIONAL
CZECH REPUBLIC
+420 608 876 983
Karlovy Vary, Czech Republic
www.polyjohn.eu

POLYJOHN SOUTHERN AFRICA
+27 (011) 615-3804
Johannesburg, South Africa
www.polyjohn.co.za

POLYJOHN CANADA
+1 800-465-9590
Oro Medonte, Ontario
www.polyjohn.ca
www.fr.polyjohn.ca

POLYJOHN LATIN AMERICA
+01 800-953-1307
Chihuahua, Mexico
www.polyjohn.mx

POLYJOHN AUSTRALIA
+61 7 3277 5727
Brisbane, Australia
www.totalsanitationsolutions.com.au

POLYJOHN NEW ZEALAND
+64 (0)22 387 7142
Auckland, New Zealand
www.polyjohn.co.nz

POLYJOHN SOUTH AMERICA
+57 318 696 7744
Bogotá, Colombia
www.polyjohn.com