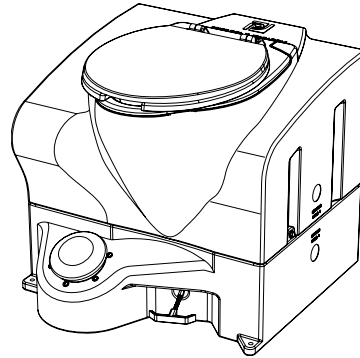




## Mini-Flush Waste System Technical Information



GENERAL STATISTICS AND USEFUL TECHNICAL INFORMATION		
<b>FRESH WATER</b>	1 gal	3.785 ltr
One gal	128 fl oz	3,780 ml
One qt	32 fl oz	946.35 ml
One gal	8.33 lb	3.77 kg
<b>SEWAGE</b>		
One gal	10.20 lb	4.62 kg
Feces per person per day*	.5 lb (26.12 fl oz)	.23 kg (772.4 ml)
Urine per person per day*	1 qt (32 fl oz)	.95 ltr
Mini-Flush Use & Capacity (30 uses)	1,664 fl oz	49.21 ltr
* per Portable Sanitation Association International (PSAI)		
<b>NOTE:</b> "Conservative" usage calculations based upon each user producing 59 fl oz of waste.		

### Specifications

Dimension	Imperial	Metric
Height	21.75 in	55 cm
Width	23 in	58 cm
Depth	24.5 in	62 cm
Capacity	15 gal	57 ltr
Weight	33 lbs	15 kg

We recommend reading through the entire information booklet prior to proceeding with installation, service and maintenance. All references to left and right throughout the booklet are as viewed from the front of the restroom.

### INSTALLATION, USE AND SERVICE INFORMATION

1. Determine where the Mini-Flush Waste System will be placed.
2. Open the dump valve by pulling the handle.
3. Open the waste bowl and engage the prop rod.
4. Looking down through the waste bowl to the floor, use a marker and mark the location on the floor where the dump valve will be plumbed.
5. Set aside the system and cut a 4" hole in the location just marked on the floor.
6. Re-position the system and plumb the dump valve to a holding tank.
7. Fasten the system to the floor with self tapping screws.
8. Charge the system with chemical and water (*this mixture should cover the filter*). Consult the chemical manufacturer's guide to determine the water to chemical ratio.
9. To empty the waste tank, pull the dump valve handle.
10. Once the tank has been emptied it will require a re-charge.

#### Winterizing:

Drain all water from the tank.  
Depress the foot pump to clear lines.  
Flush tank with a solution of chlorine and water.

### CLEANING AND MAINTENANCE

Use a mild soap to clean all surfaces and component parts.

Minor scratches and abrasions can be lightly sanded or scrubbed with a mild abrasive cleaner (*such as "Soft Scrub"*) that contains calcium carbonate, hypochlorate bleach and detergents. Be sure to follow the cleaning product directions since these ingredients may cause hazardous gases when mixed with other chemicals. Rinse the cleaned area and buff with a conventional wax.

Some light scratches may also be hidden by using an industrial hot air gun.

For a source of cleaning, deodorizing and paper products contact:

**RID IT**  
**2500 GASPAR AVE.**  
**WHITING, IN 46394-2175**  
**800-292-1305 EXTENSION 514**  
**www.rid-it.com**

### MISSION STATEMENT

"PolyJohn is a family owned, state of the art, plastics manufacturing company dedicated to providing its employees with a work environment committed to excellence, and its customers with innovative products, services and technology that meet or exceed their requirements."

**THANK YOU FOR PURCHASING POLYJOHN PRODUCTS!**

Look for us on the Web @ [www.PolyJohn.com](http://www.PolyJohn.com)

#### **POLYJOHN USA**

PolyJohn Enterprises Corp  
2500 Gaspar Ave.  
Whiting, IN 46394  
Phone: 800-292-1305  
Fax: 219-659-0625  
[www.polyjohn.com](http://www.polyjohn.com)  
[info@polyjohn.com](mailto:info@polyjohn.com)

#### **POLYJOHN WORLDWIDE**

PolyJohn (UK) Ltd.  
Equinox 1 Audby Lane  
Wetherby, England LS22 7RD  
Phone: 44 (0) 1937-583333  
Fax: 44 (0) 1937-583322  
[www.polyjohn.co.uk](http://www.polyjohn.co.uk)  
[sales@polyjohn.co.uk](mailto:sales@polyjohn.co.uk)

#### **POLYJOHN CANADA**

PolyJohn Canada  
P.O. Box 2300.  
199 Forest Plain Rd.  
Orilla, Ontario LV3 6S2  
Phone: 800-465-9590  
Fax: 705-325-8250  
[www.polyjohncanada.ca](http://www.polyjohncanada.ca)  
[info@polyjohncanada.ca](mailto:info@polyjohncanada.ca)