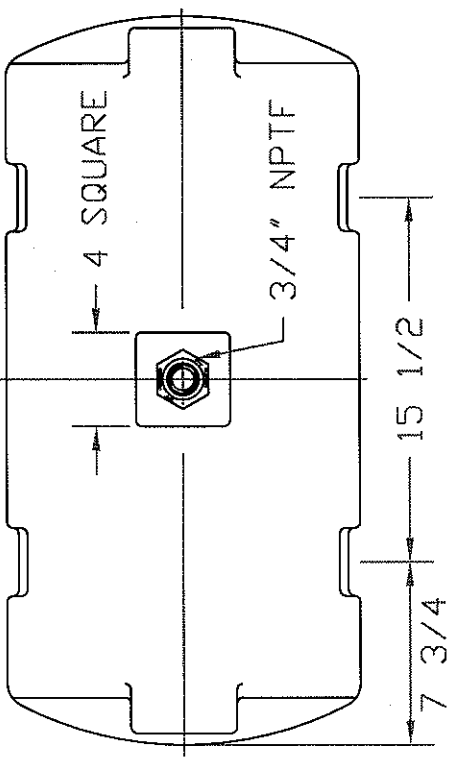
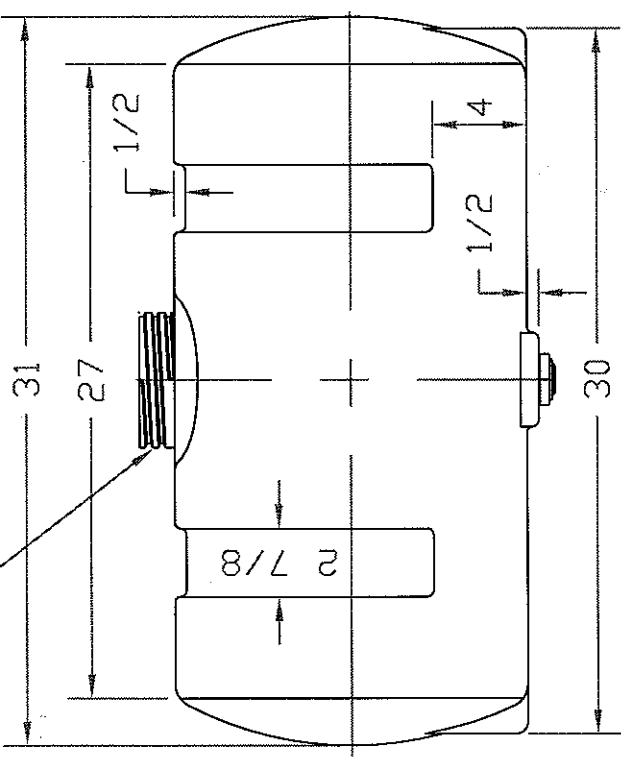
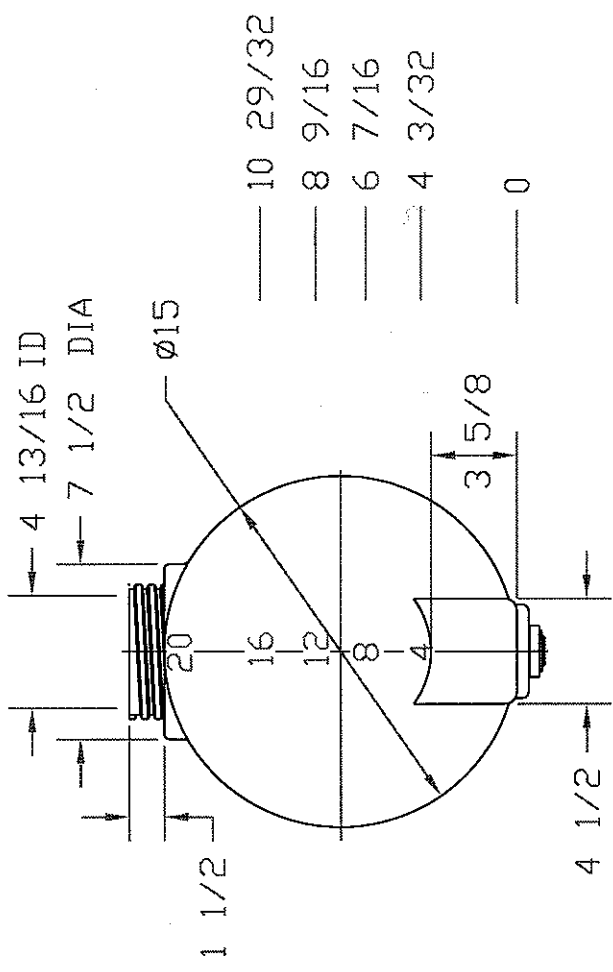


ACME THREAD
 5-3/4 MAJOR DIA
 5-3/8 MINOR DIA
 9/16 PITCH



REVISIONS				
ZONE	REV	DESCRIPTION	DATE	APPROVED
	A	REDRAWN	25AUG97	
	B	LID THREAD REVISED	09FEB00	



10	29/32
8	9/16
6	7/16
4	3/32
	0

GALLON MARKS ONE END ONLY

NORWESCO
 ST. BONIFACIUS, MN

20 GALLON APPLICATOR
 TANK

JTP	25AUG97	SIZE	FSCM NO.	DWG NO.	REV
		A			B
		SCALE 1/8			SHEET