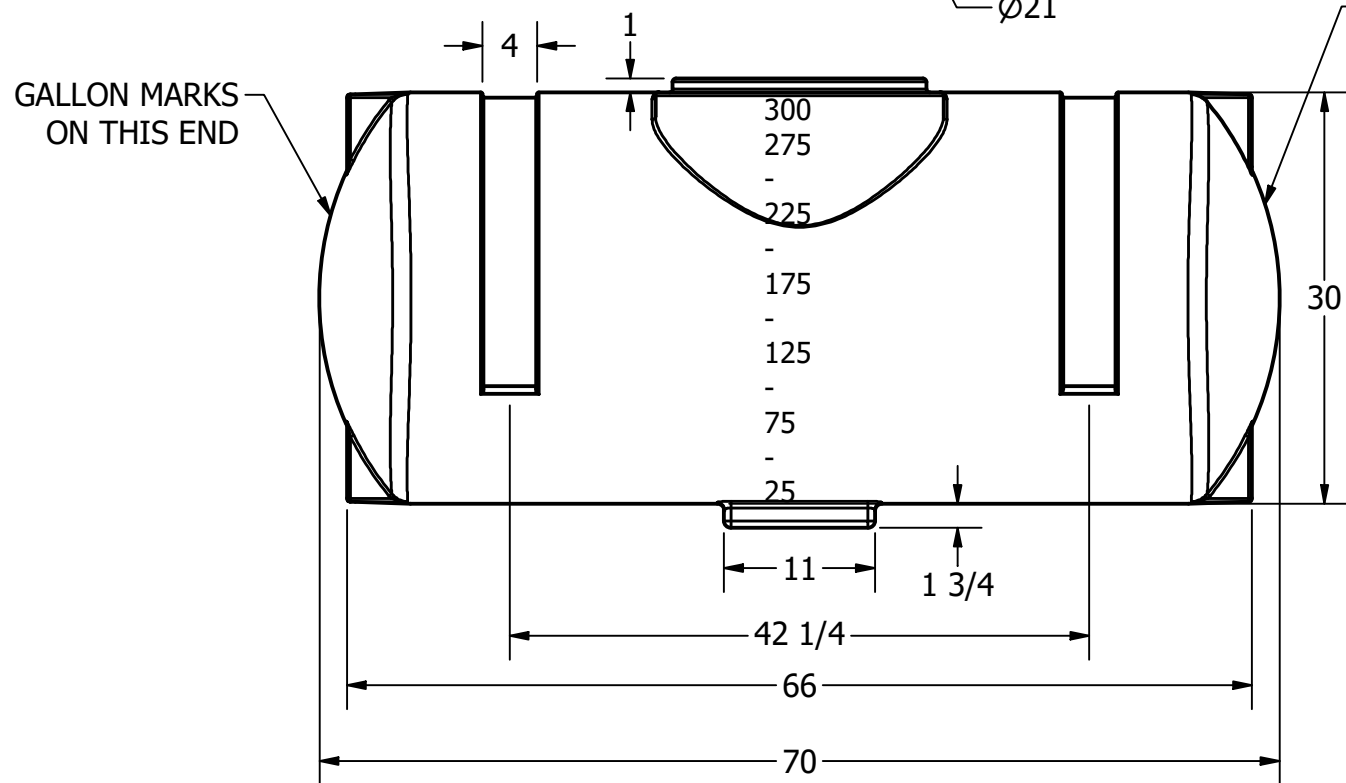
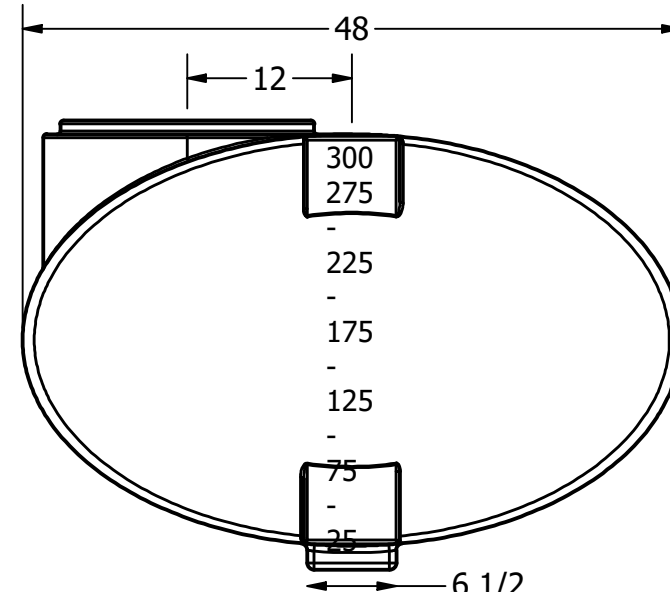


$\varnothing 16 \frac{3}{8}$
 $\varnothing 18 \frac{1}{2}$
 $\varnothing 21$



GALLON MARKS ON THIS END



| | | | | |
|----------|------------|-----------|---|--------|
| DRAWN | Liv Oltean | 4-26-2019 | | |
| CHECKED | | | NORWESCO, INC. SAINT BONIFACIUS, MN | |
| QA | | | TITLE 300 GALLON ELLIPTICAL OFFSET MANWAY | |
| MFG | | | SIZE | DWG NO |
| APPROVED | | | B | |
| | | | SCALE: 1/16 | REV |
| | | | SHEET 1 OF 1 | |