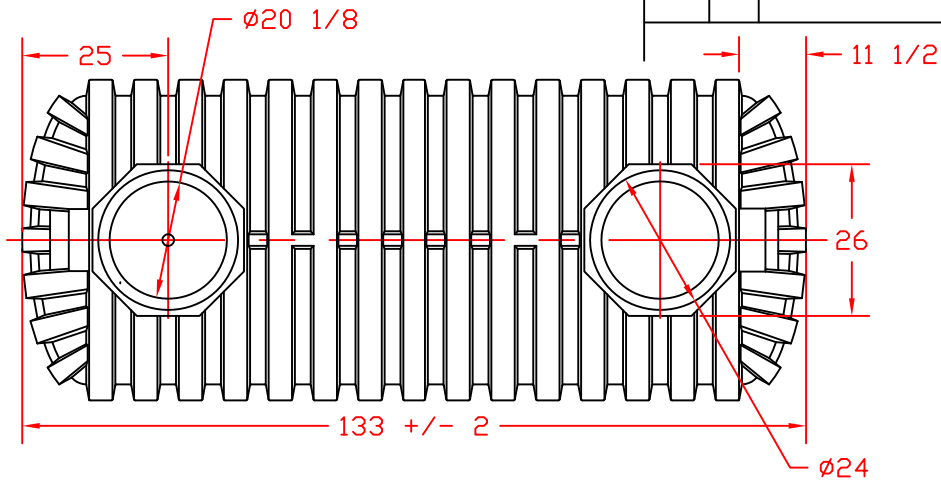
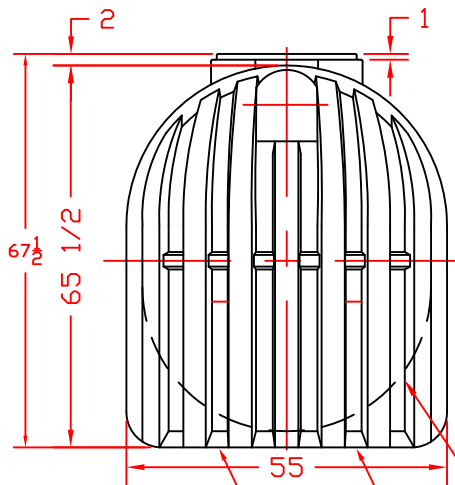


RIB DIMENSIONS
1/8 SCALE



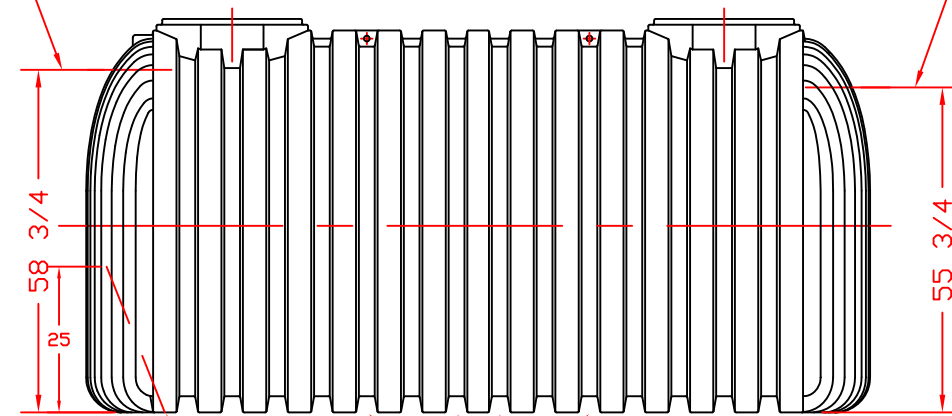
REVISIONS				
ZONE	REV	DESCRIPTION	DATE	APPROVED

70 = OVERALL HEIGHT WITH LID



INLET CENTERLINE

OUTLET CENTERLINE



FULL CIRCLE RIBS

KNEE RIBS HERE

MIDPOINT OF CROSS RIB

NORWESCO

ST. BONIFACIUS, MN

1500 GALLON BRUISER
TANK

JTP 17JUN04

SIZE
B

FSCM NO.

DWG NO.

REV

SCALE 1/24

SHEET