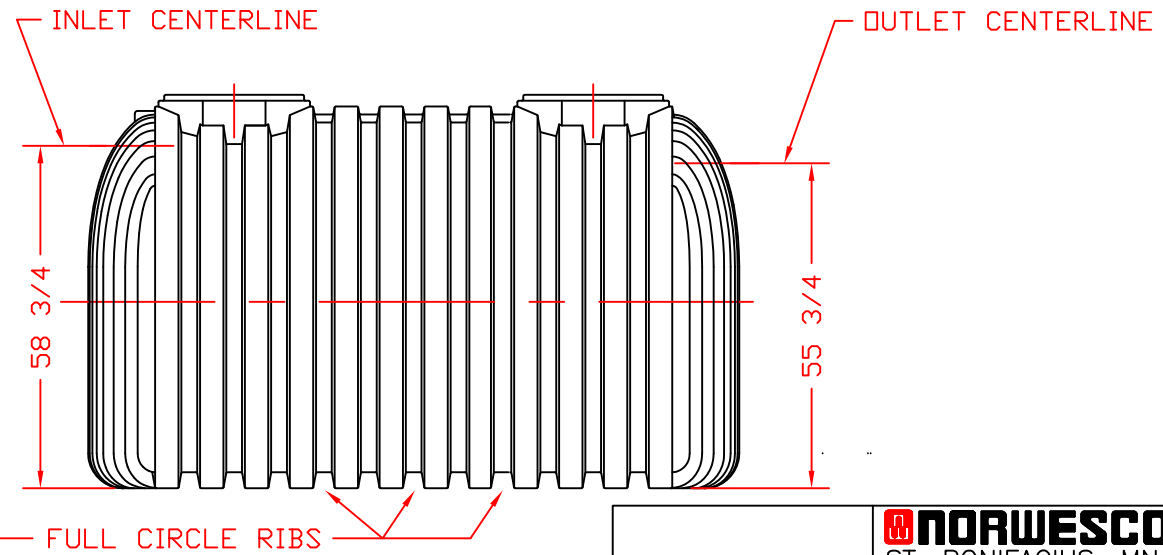
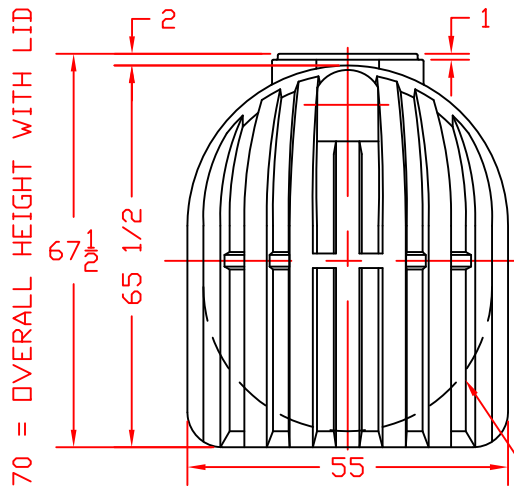
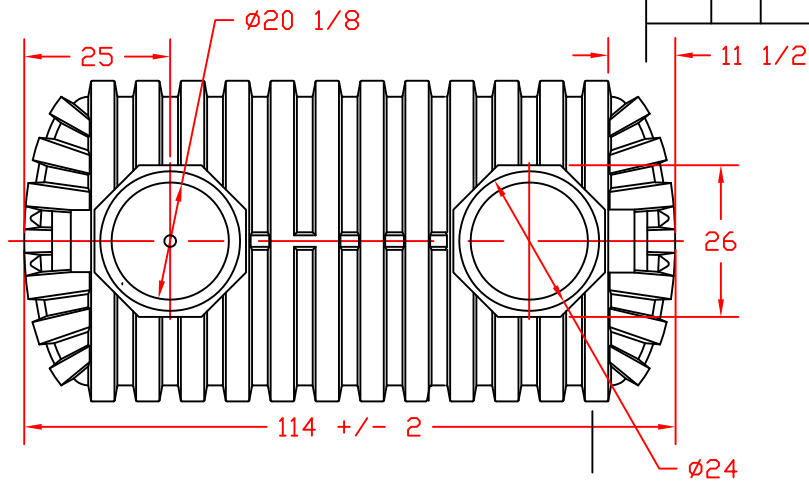


RIB DIMENSIONS  
1/8 SCALE



REVISIONS				
ZONE	REV	DESCRIPTION	DATE	APPROVED

**NORWESCO**  
ST. BONIFACIUS, MN  
1250 GALLON BRUISER  
TANK

JTP	17JUN04	SIZE B	FSCM NO.	DWG NO.	REV
SCALE 1/24			SHEET		