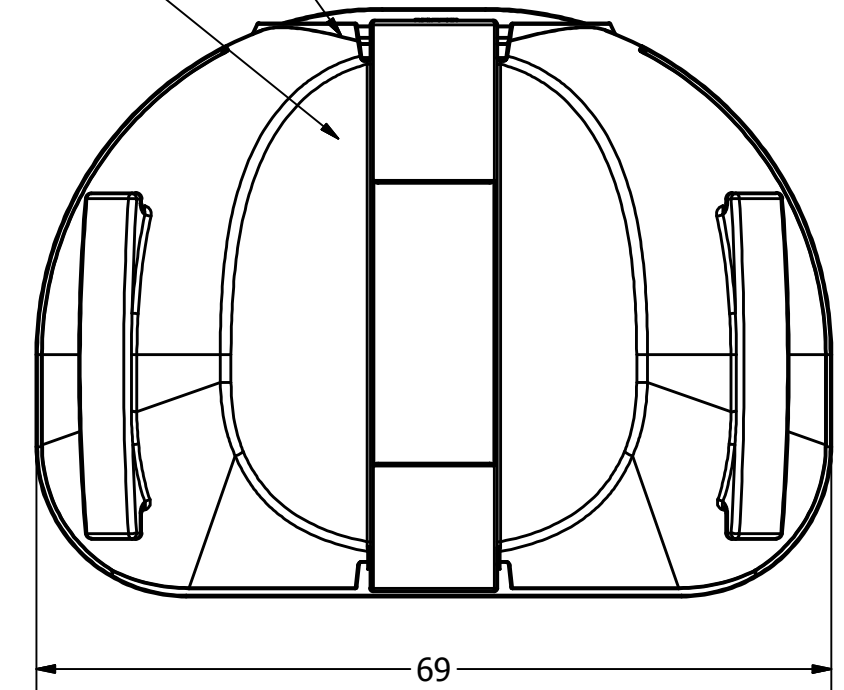
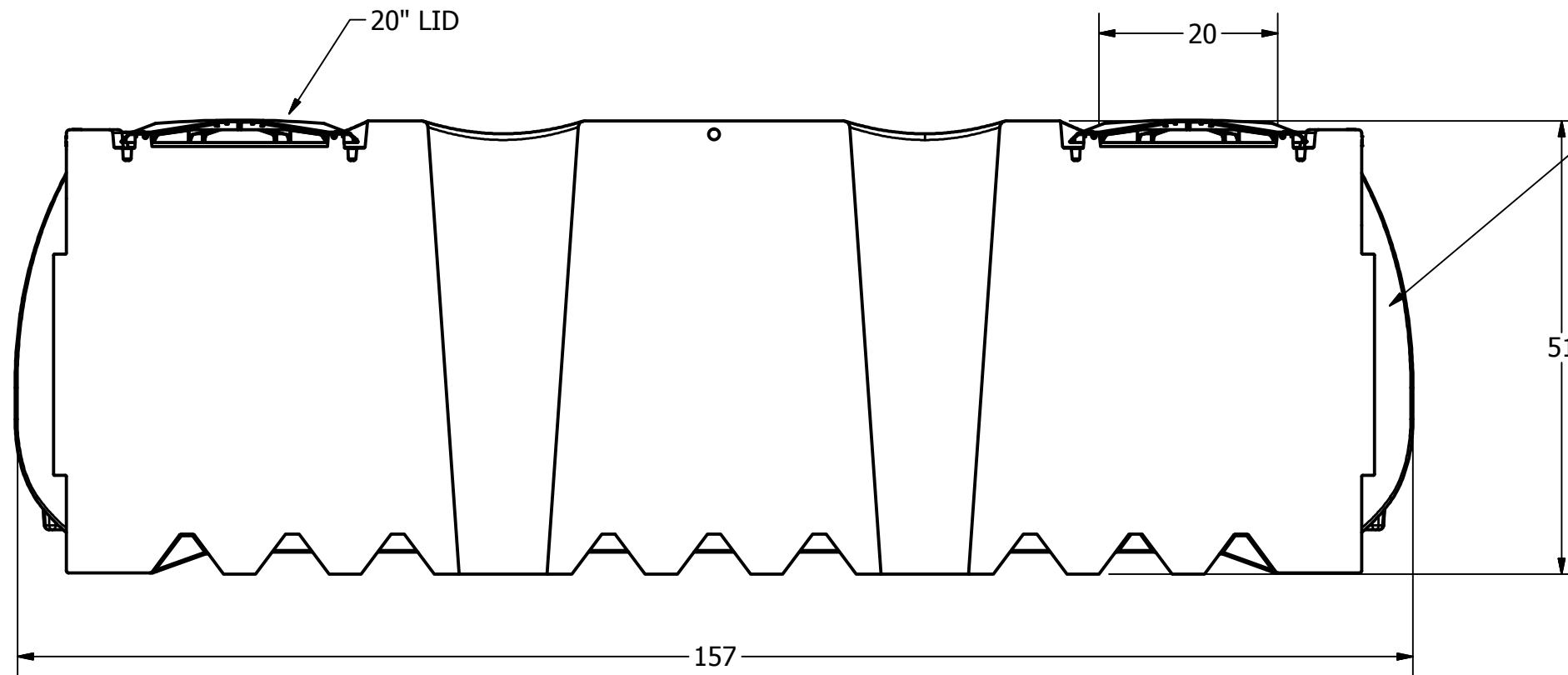


MATERIAL: HIGH-DENSITY POLYETHYLENE
 NSF 61 LISTED
 1725 US GALLONS WORKING CAPACITY


ZONE		REV	REVISION HISTORY	DATE	APPROVED
			DESCRIPTION		

SERIAL NUMBER EMBOSSSED HERE
 CAN BE REFERENCED TO THE
 DATE OF MANUFACTURE

NORWESCO, INC.
 ST. BONIFACIUS, MN



ALL DIMENSIONS ARE IN INCHES, NOMINAL, AND SUBJECT TO CHANGE WITHOUT NOTICE.
 ALL DIMENSIONS ON ROTATIONALLY MOLDED PARTS ARE SUBJECT TO A ±3% TOLERANCE

DRAWN Todd Bolzer	7/6/2015	 NORWESCO NORWESCO, INC., ST. BONIFACIUS, MN TITLE		
CHECKED				
QA		1725 LOW PROFILE CISTERN		
MFG				
APPROVED		SIZE B	DWG NO 44407	REV
		SCALE: 1/16	SHEET 1 OF 1	