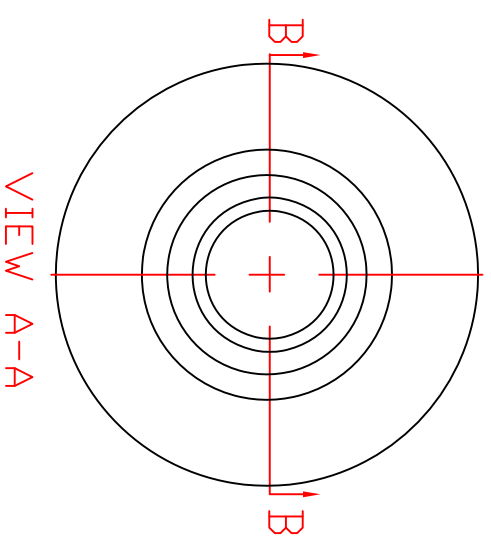
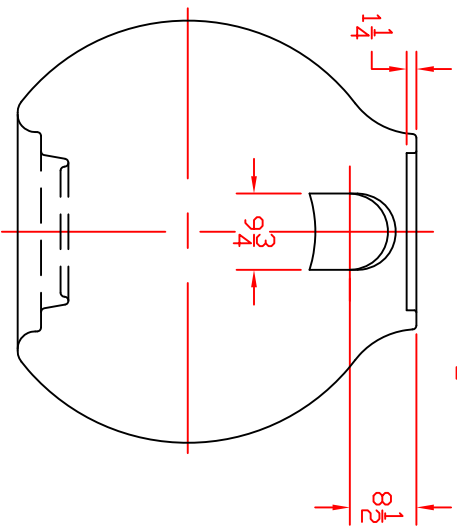
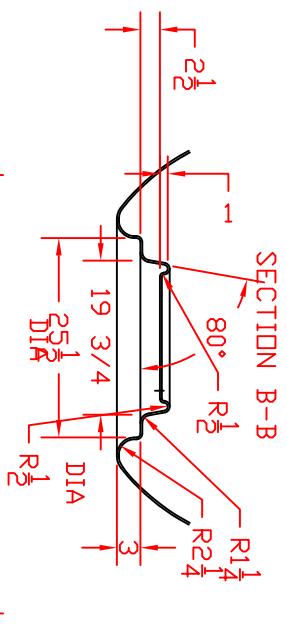
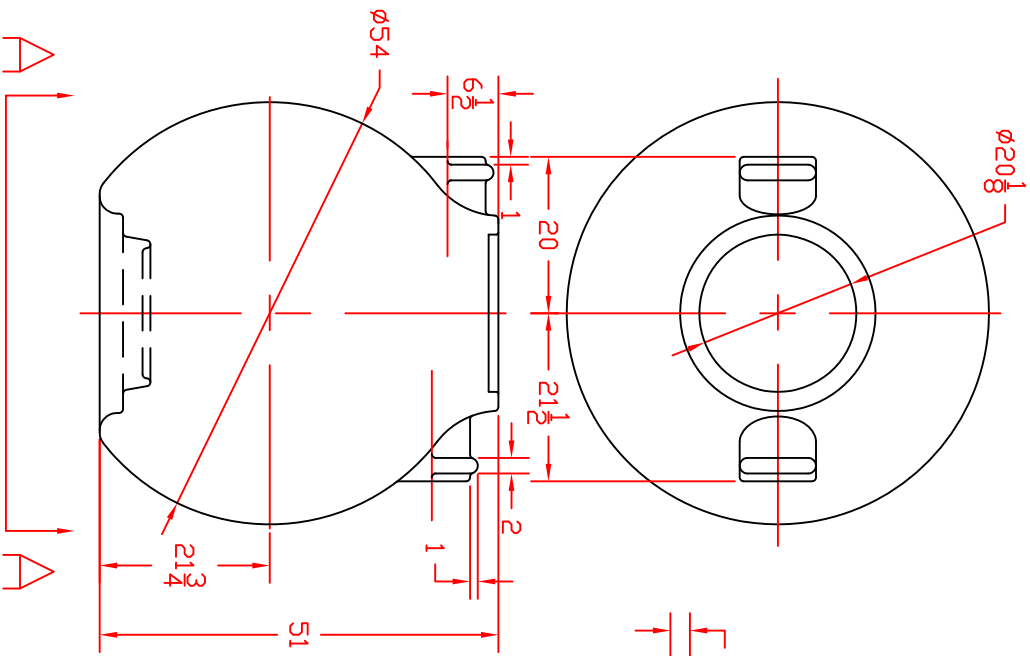


REVISIONS				
ZONE	REV	DESCRIPTION	DATE	APPROVED
	A	REMOVED INLET HUB	24MAY10	



NORWESCO
ST. BONIFACIUS, MN

300 GAL SPHERICAL PUMP
TANK W/ FLAT IN/OUT

JTP 13APR01

SCALE 1/16

SIZE FSCM NO. 41319

DWG NO. 41319

SHEET

REV A