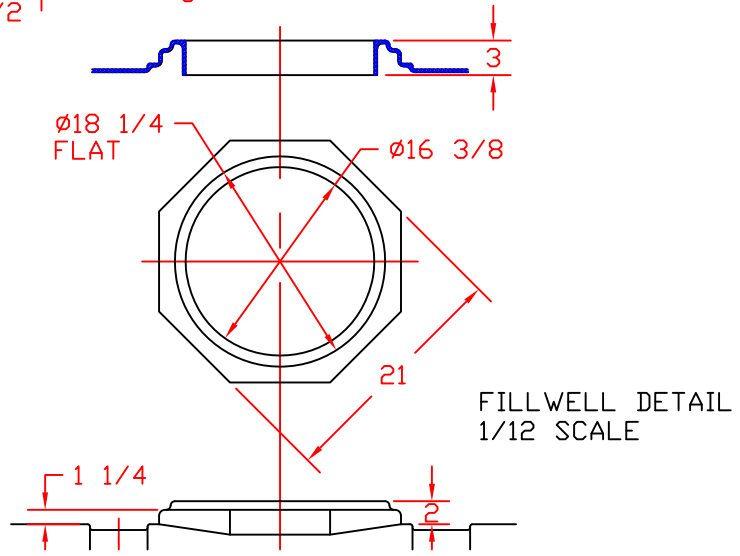


- 42
- 36 1/2
- 31 3/4
- 27 3/4
- 23 3/4
- 20 5/8
- 17 1/4
- 12 1/2
- 7

REVISIONS				
ZONE	REV	DESCRIPTION	DATE	APPROVED
	A	REDRAWN	22OCT97	
	B	WAS 8	10MAR16	



FILLWELL DETAIL
1/12 SCALE

JTP 22OCT97				
		ST. BONIFACIUS, MN 1000 GALLON ELLIPTICAL TANK		
SIZE B	FSCM NO.	DWG NO.	REV B	
SCALE 1/24		SHEET		