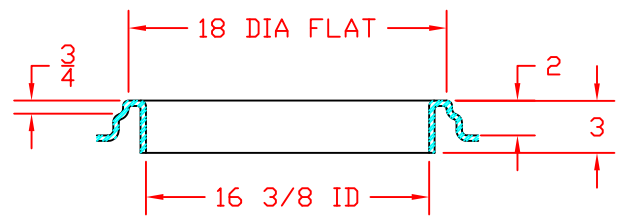
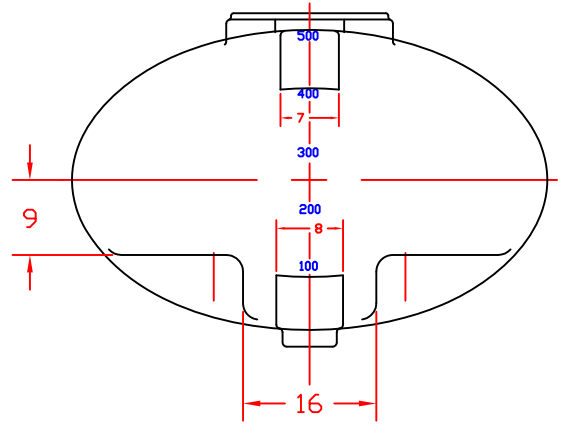
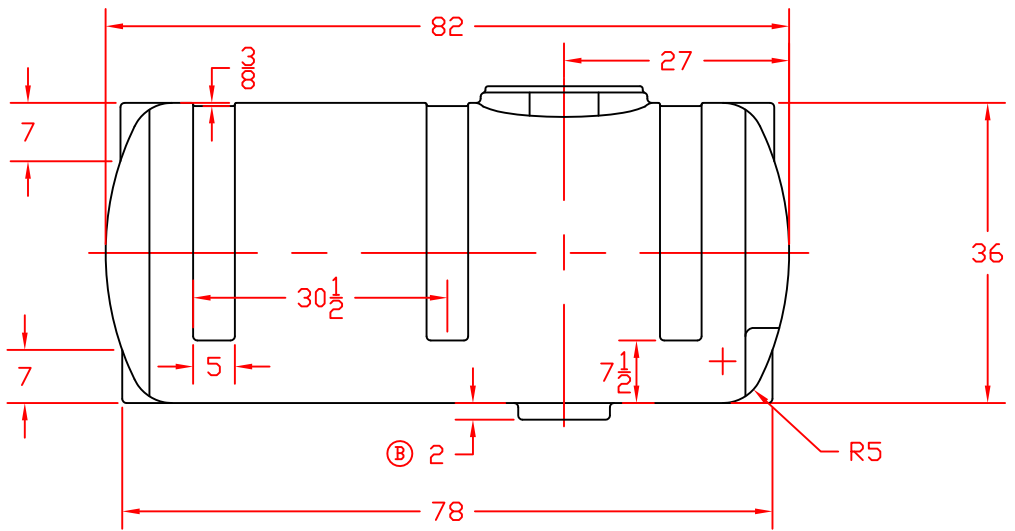
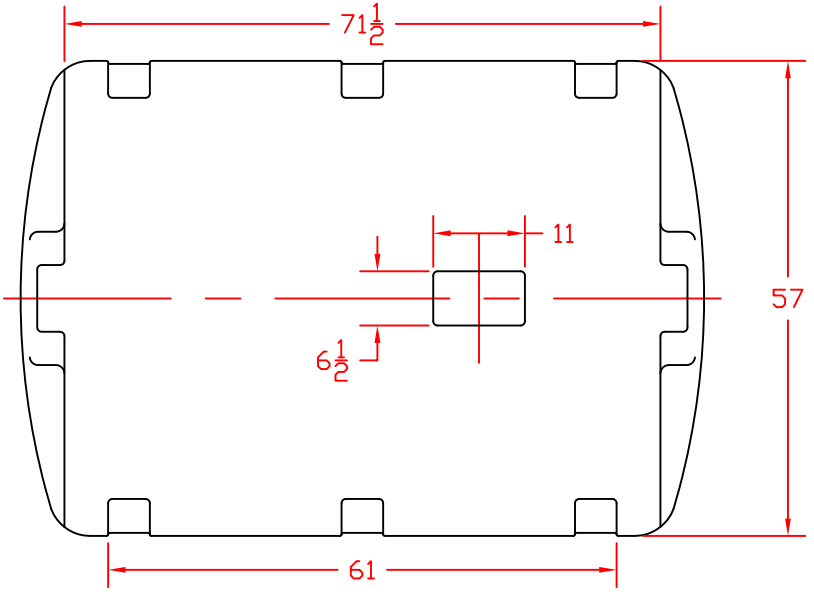


ZONE	REV	DESCRIPTION	DATE
	D	REMOVED GA	09JUN14
	E	ADDED GA	03FEB15

REVISIONS			
REV	DESCRIPTION	DATE	APPROVED
A	REDRAWN	15AUG97	
B	WAS 5	29DEC06	
C	ADDED GA	23OCT09	



FILLWELL DETAIL
1/8 SCALE



© D

JTP 15AUG97		NORWESCO		REV E
		ST. BONIFACIUS, MN		
SIZE B		500 GALLON ELLIPTICAL SPRAYER TANK		DWG NO.
SCALE 1/16		SHEET		