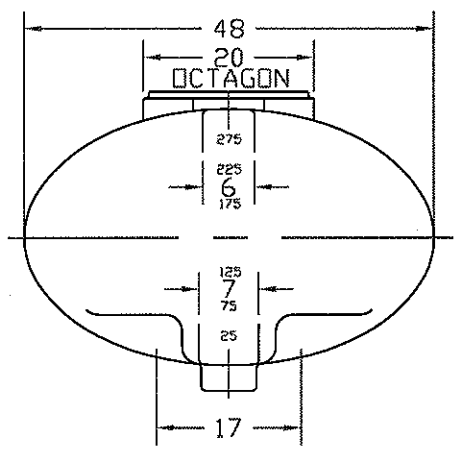
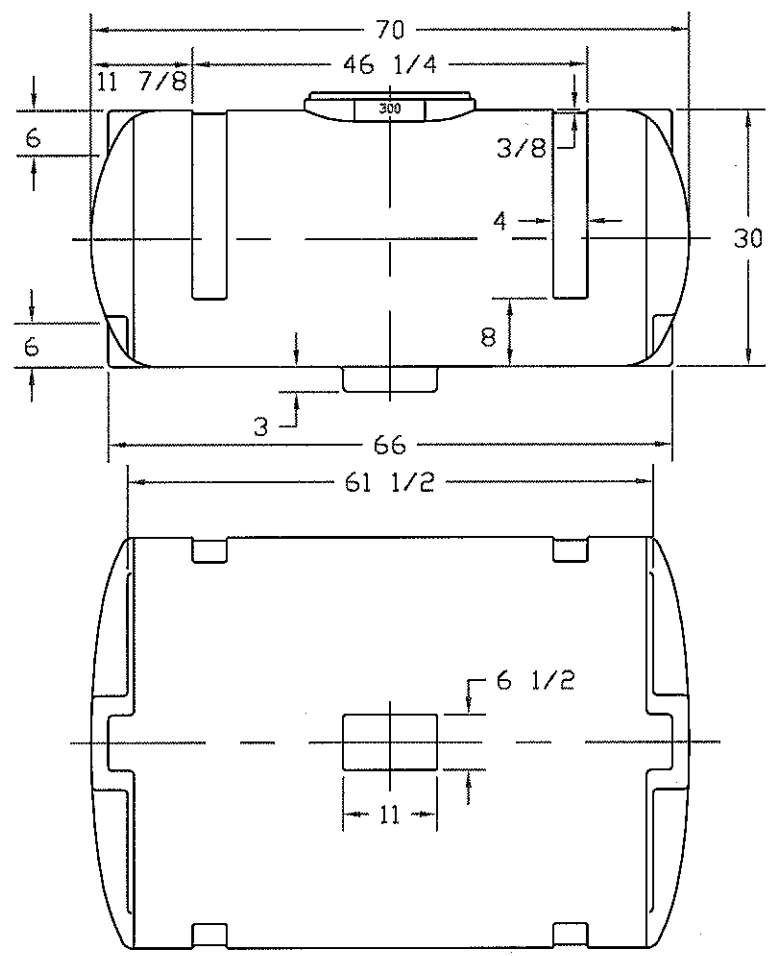
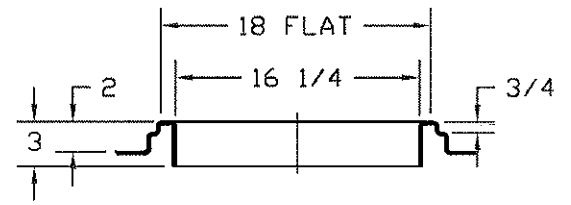


REVISIONS				
ZONE	REV	DESCRIPTION	DATE	APPROVED
	A	REDRAWN--FILL WAS 8"	21NOV95	



CL (4) SPARGER FLATS, 6 X 6



FILLWELL DETAIL

		<b>NORWESCO</b>		
		ST. BONIFACIUS, MN		
		300 GALLON ELLIPTICAL SPRAYER TANK		
JTP	21NOV95	SIZE B	FSCM NO.	DWG NO.
		SCALE 1/16		SHEET
				REV A