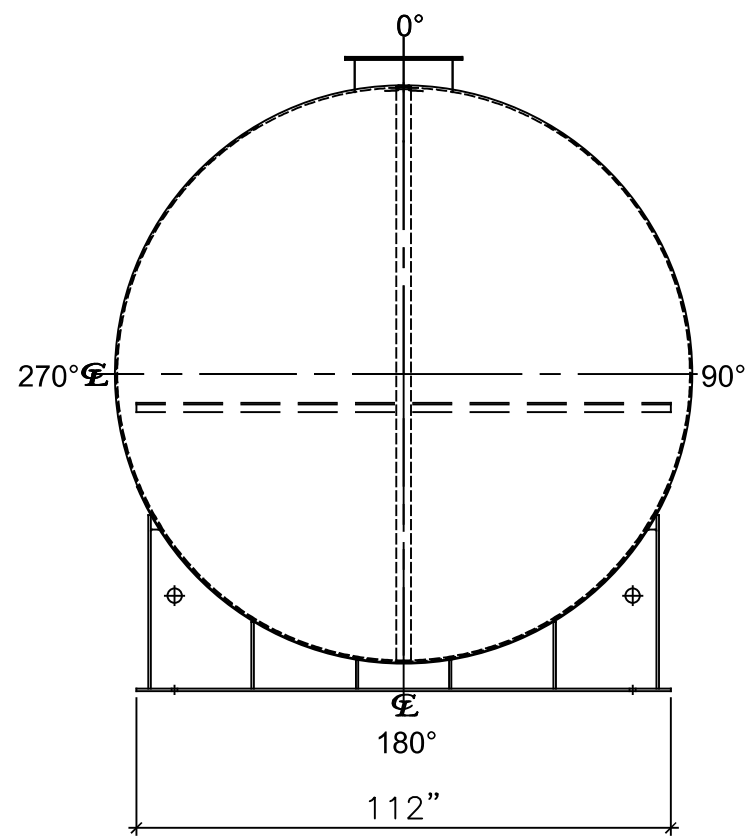
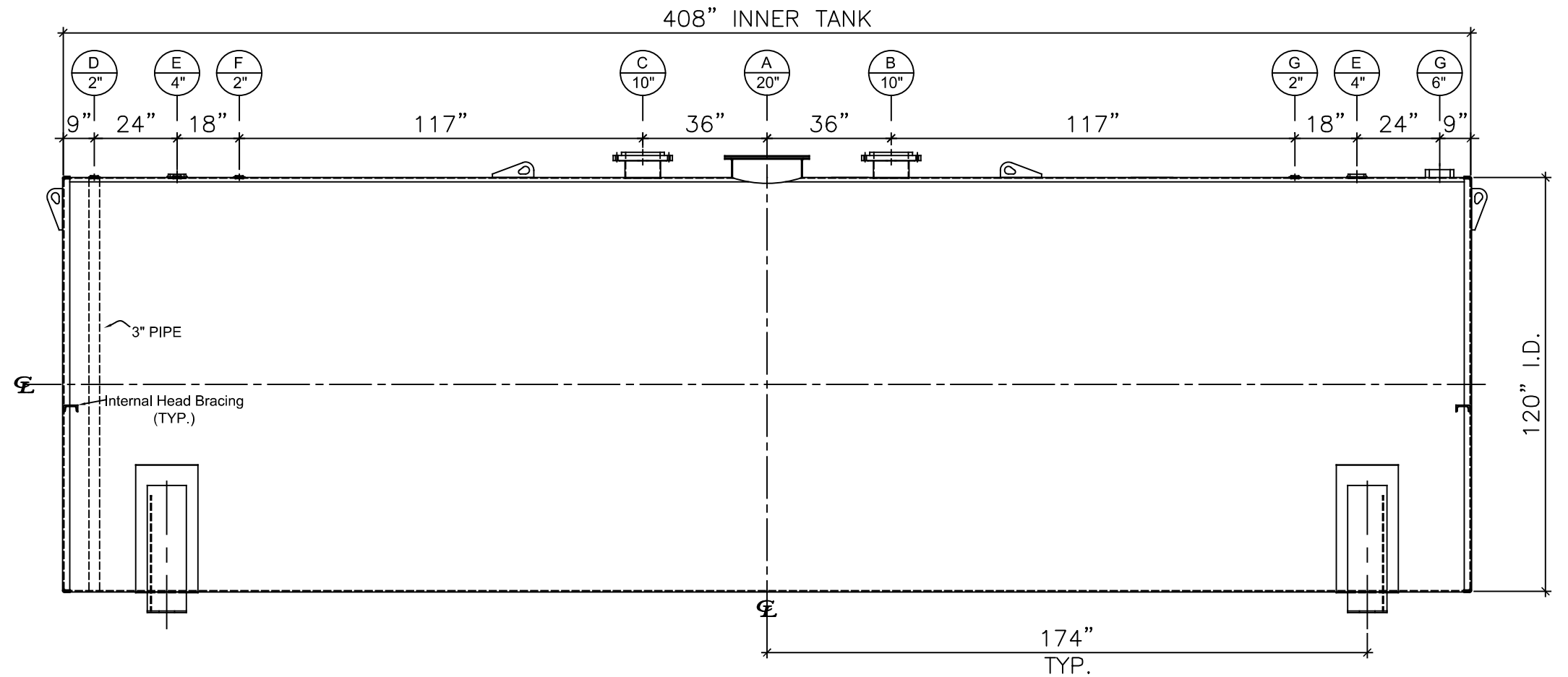


NOZZLE SCHEDULE

ITEM	SIZE	RATING	TYPE	MATL	REMARKS	NOTES
A	20"	U.L.	M.W.	C.S.	SINGLE PUNCHED	TIGHT BOLTED
B	10"	U.L.	ADPT.	C.S.	PRIMARY	EMERGENCY VENT OPENING
C	10"	U.L.	ADPT.	C.S.	SECONDARY	EMERGENCY VENT OPENING
D	2"	N.P.T.	M.F.	C.S.	-	MONITORING PORT
E	4"	N.P.T.	W.F.	C.S.	-	-
F	2"	N.P.T.	W.F.	C.S.	-	-
G	6"	N.P.T.	H.CPL.	C.S.	-	-



LEFT SIDE



FRONT VIEW

NOTES:

- A. Material: H.R. Carbon Steel.
- B. Design Pressure: Atmospheric.
- C. Design Temperature: Ambient.
- D. Built & labeled per U.L. #142 & SwRI 97-04 specifications.
- E. Exterior: Blast & apply one shop coat WHITE enamel.
- F. All fittings to be protected for shipment.
- G. Customer to verify nozzle sizes, locations and quantities.
- H. Saddles/skids may require shimming or grouting during installation.

APPROVAL FOR CONSTRUCTION
SCHEDULE A - MASTER TERMS &
CONDITION OF SALE*

APPROVED AS DRAWN.

APPROVED WITH NOTED CHANGES.
CONSTRUCTION WILL BE SCHEDULED
WHEN SIGNED DRAWING AND
CONFIRMED ORDER ARE RECEIVED.

SIGNATURE: _____

DATE: _____

*All pages of this Schedule A are incorporated by
reference and are a part of the additional terms of
the Master Terms & Conditions of Sale.
www.newberrytanks.com/masterterms.pdf

SALES ORDER:

Newberry Tanks
New Thinking

Phone: 870-735-4473

WEIGHT (LBS): 28000

All units inches
unless stated
otherwise

DESCRIPTION:
20,000 Gallon 120" I.D. x 34'-0" O.A.L. Double Wall Flameshield
Tank

CUSTOMER: _____ P.O.# _____

DATE: 3/8/2023 SCALE: _____ DWG.# NB20000FSD120250 DRAWN BY: AJC

SHEET 1 OF 1