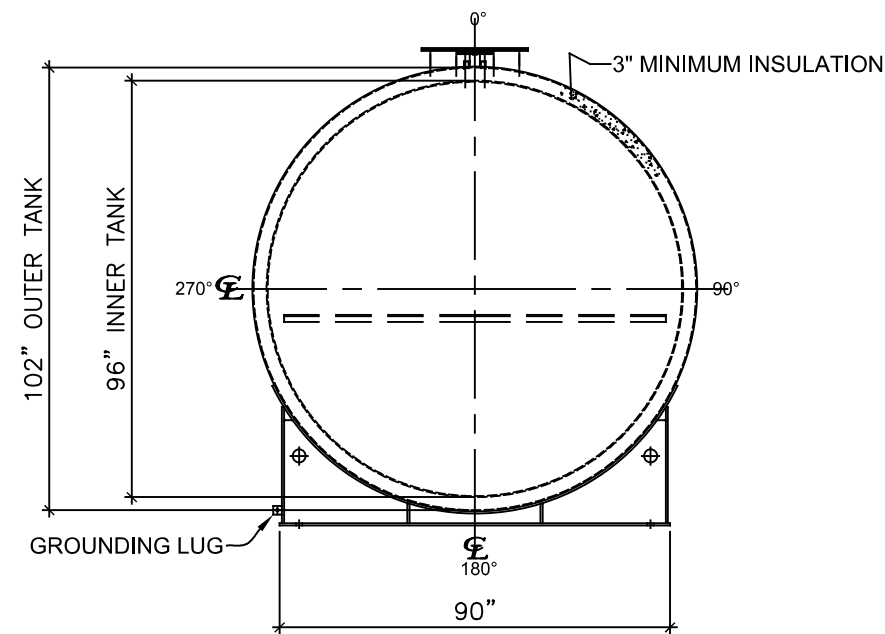
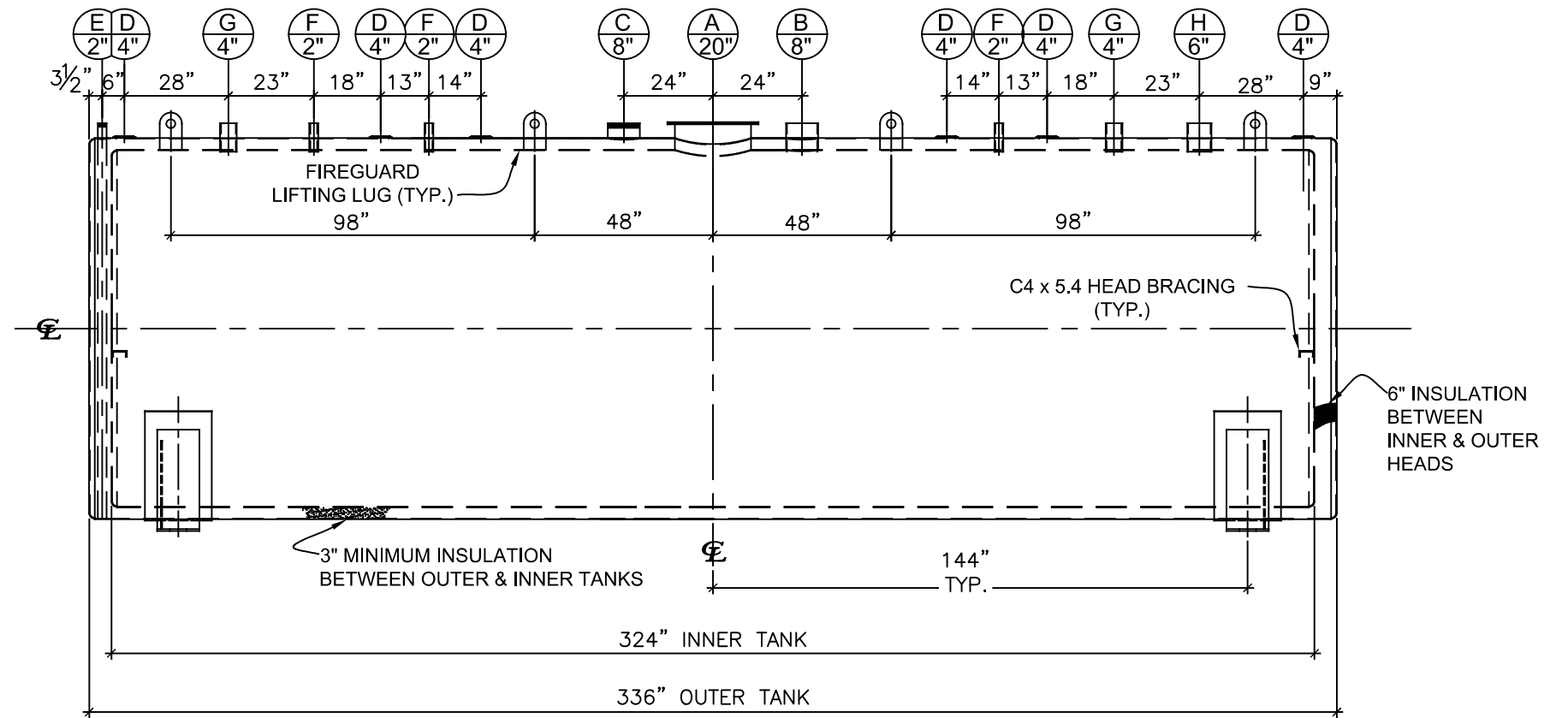


NOZZLE SCHEDULE

ITEM	SIZE	RATING	TYPE	MATL.	PROJ. IN	PROJ. OUT	REMARKS	NOTES
A	20"	U.L.	M.W.	C.S.	STD.	STD.	SINGLE PUNCHED	TIGHT BOLTED
B	8"	N.P.T.	CPL.	C.S.	STD.	STD.	PRIMARY	EMERGENCY VENT OPENING
C	8"	N.P.T.	H.CPL.	C.S.	STD.	STD.	SECONDARY	EMERGENCY VENT OPENING
D	4"	N.P.T.	W.F.	C.S.	STD.	STD.	-	INTERSTICE FILL
E	2"	N.P.T.	PIPE	C.S.	STD.	STD.	-	MONITORING PORT
F	2"	N.P.T.	CPL.	C.S.	STD.	STD.	-	-
G	4"	N.P.T.	CPL.	C.S.	STD.	STD.	-	-
H	6"	N.P.T.	CPL.	C.S.	STD.	STD.	-	-



LEFT SIDE



FRONT VIEW

NOTES:

- A. Material: H.R. Carbon Steel.
- B. Design Pressure: Atmospheric.
- C. Design Temperature: Ambient.
- D. Built & labeled per U.L. #142, #2085 & STI Fireguard Specifications.
- E. Interstice to be filled w/ 3" min. thermal insulation per Fireguard specs.
- F. Exterior: Blast & apply one shop coat WHITE enamel.
- G. All fittings to be labeled and protected for shipment.
- H. Customer to verify nozzle sizes, locations and quantities.
- I. Saddles/skids may require shimming or grouting during installation.

APPROVAL FOR CONSTRUCTION SCHEDULE A - MASTER TERMS & CONDITION OF SALE*		SALES ORDER:		WEIGHT (LBS): 29122	
<input type="checkbox"/> APPROVED AS DRAWN.				All units inches unless stated otherwise	
<input type="checkbox"/> APPROVED WITH NOTED CHANGES. CONSTRUCTION WILL BE SCHEDULED WHEN SIGNED DRAWING AND CONFIRMED ORDER ARE RECEIVED.		Phone: 870-735-4473			
SIGNATURE: _____ DATE: _____		DESCRIPTION: 10000 Gallon 96" I.D. x 27'-0" O.A.L. Fireguard Saddle Tank			
*All pages of this Schedule A are incorporated by reference and are a part of the additional terms of the Master Terms & Conditions of Sale. www.newberrytanks.com/masterterms.pdf		CUSTOMER: _____		P.O.# _____	
DATE: 3/8/2023	SCALE: _____	DWG.# NB10000FGD096250	DRAWN BY: AJC SHEET 1 OF 1		