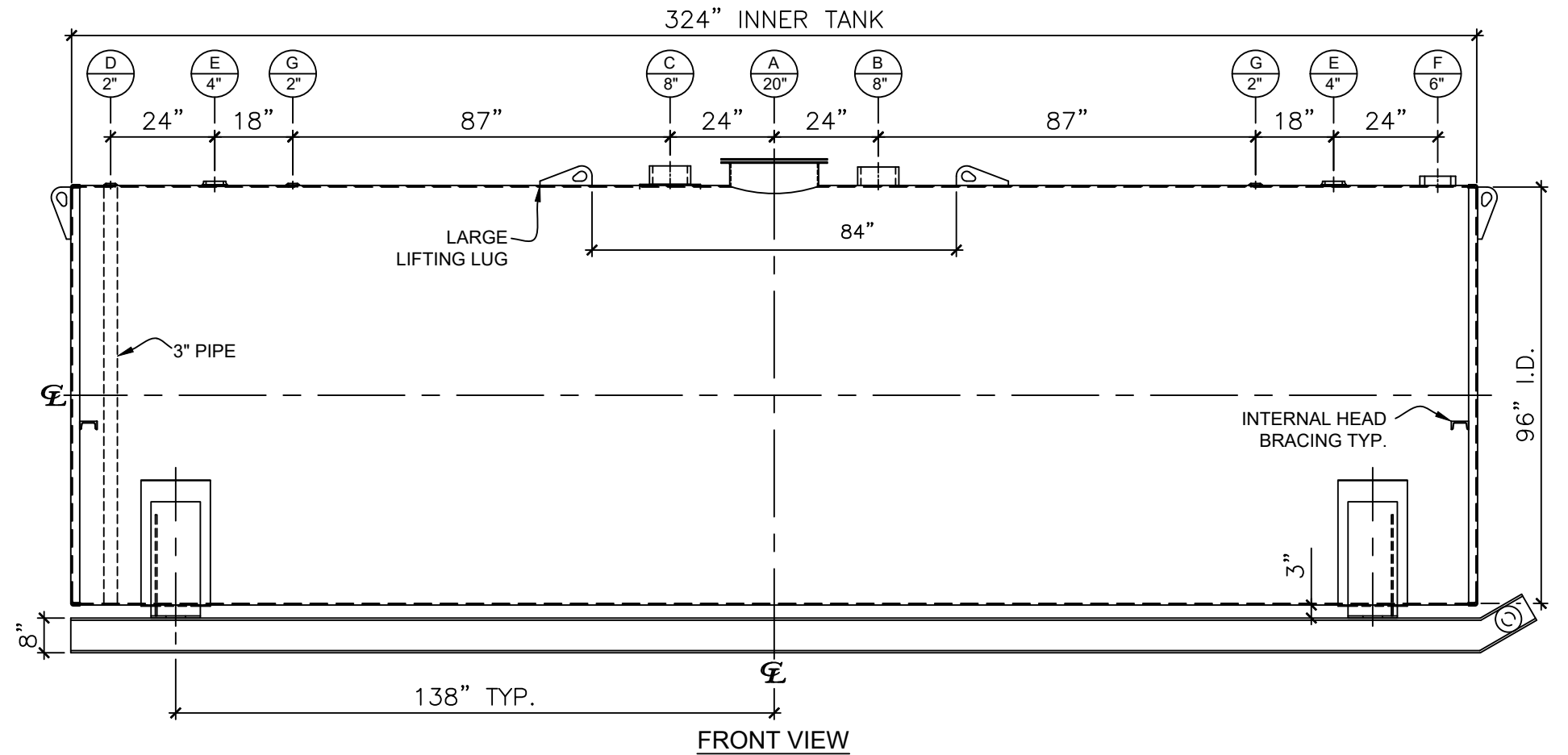
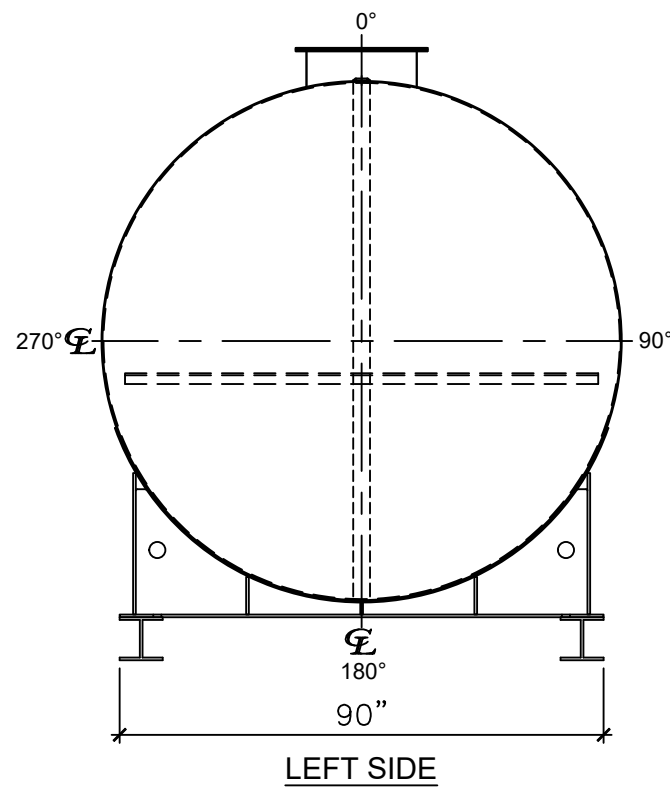


NOZZLE SCHEDULE

| ITEM | SIZE | RATING | TYPE | MATL | REMARKS | NOTES |
|------|------|--------|--------|------|----------------|------------------------|
| A | 20" | U.L. | M.W. | C.S. | SINGLE PUNCHED | TIGHT BOLTED |
| B | 8" | N.P.T. | H.CPL. | C.S. | PRIMARY | EMERGENCY VENT OPENING |
| C | 8" | N.P.T. | H.CPL. | C.S. | SECONDARY | EMERGENCY VENT OPENING |
| D | 2" | N.P.T. | M.F. | C.S. | - | MONITORING PORT |
| E | 4" | N.P.T. | W.F. | C.S. | - | - |
| F | 6" | N.P.T. | H.CPL. | C.S. | - | - |
| G | 2" | N.P.T. | W.F. | C.S. | - | - |



NOTES:

- A. Material: H.R. Carbon Steel.
- B. Design Pressure: Atmospheric.
- C. Design Temperature: Ambient.
- D. Built & labeled per U.L. spec. #142.
- E. Exterior: Gray primer included; see Sales Order for top coat.
- F. All fittings to be protected for shipment.
- G. Customer to verify nozzle sizes, locations, and quantities.
- H. Saddles/skids may require shimming or grouting during installation.

| | | | | |
|--|--|--|--|--|
| APPROVAL FOR CONSTRUCTION SCHEDULE A - MASTER TERMS & CONDITION OF SALE* | | SALES ORDER: | | WEIGHT (LBS): 17250 |
| <input type="checkbox"/> APPROVED AS DRAWN. | | | | All units inches unless stated otherwise |
| <input type="checkbox"/> APPROVED WITH NOTED CHANGES. CONSTRUCTION WILL BE SCHEDULED WHEN SIGNED DRAWING AND CONFIRMED ORDER ARE RECEIVED. | | DESCRIPTION: 10000 GALLON 96" I.D. x 27'-0" O.A.L. DOUBLE WALL SKID TANK | | |
| SIGNATURE: _____ DATE: _____ | | PHONE: 870-735-4473 | | P.O.# _____ |
| *All pages of this Schedule A are incorporated by reference and are a part of the additional terms of the Master Terms & Conditions of Sale. www.newberrytanks.com/masterterms.pdf | | DATE: 06/08/23 | SCALE: _____ DWG.# NB10000DWS096250 | DRAWN BY: WR SHEET 1 OF 1 |