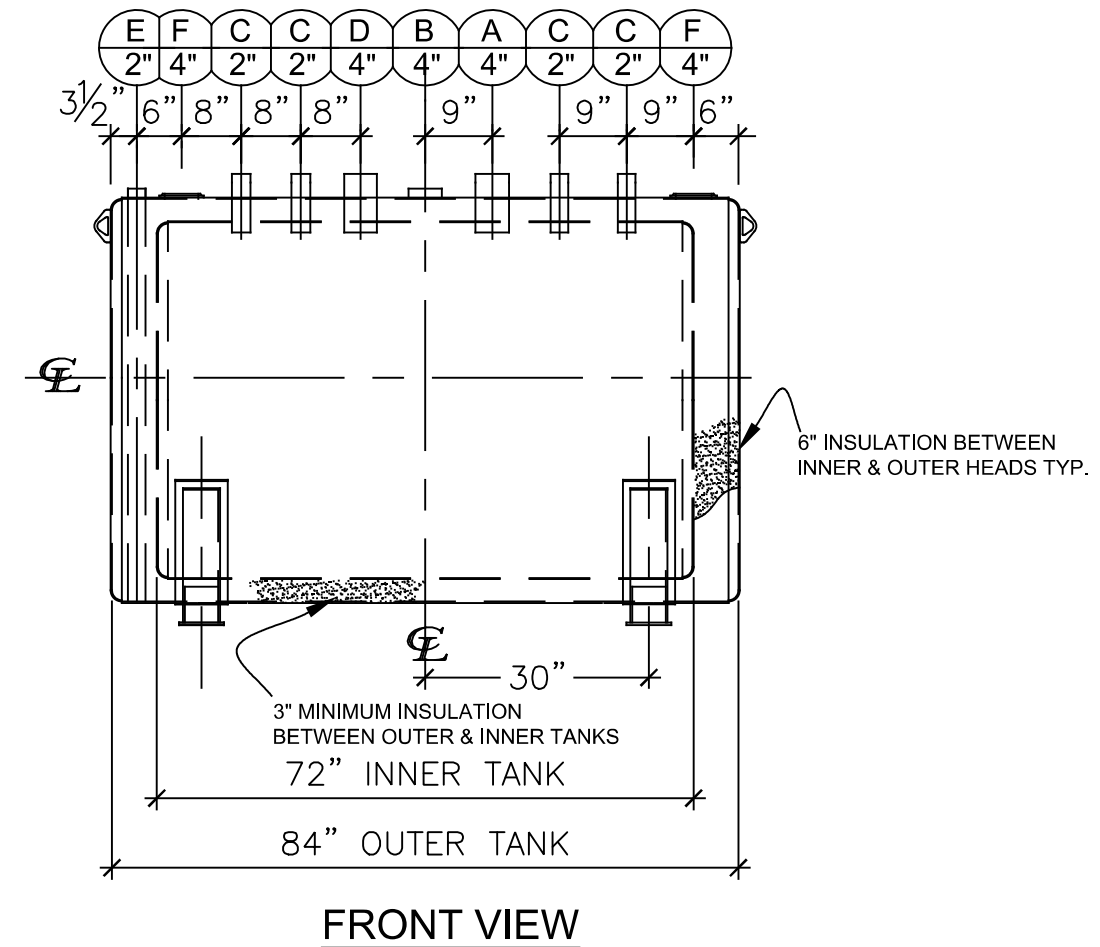
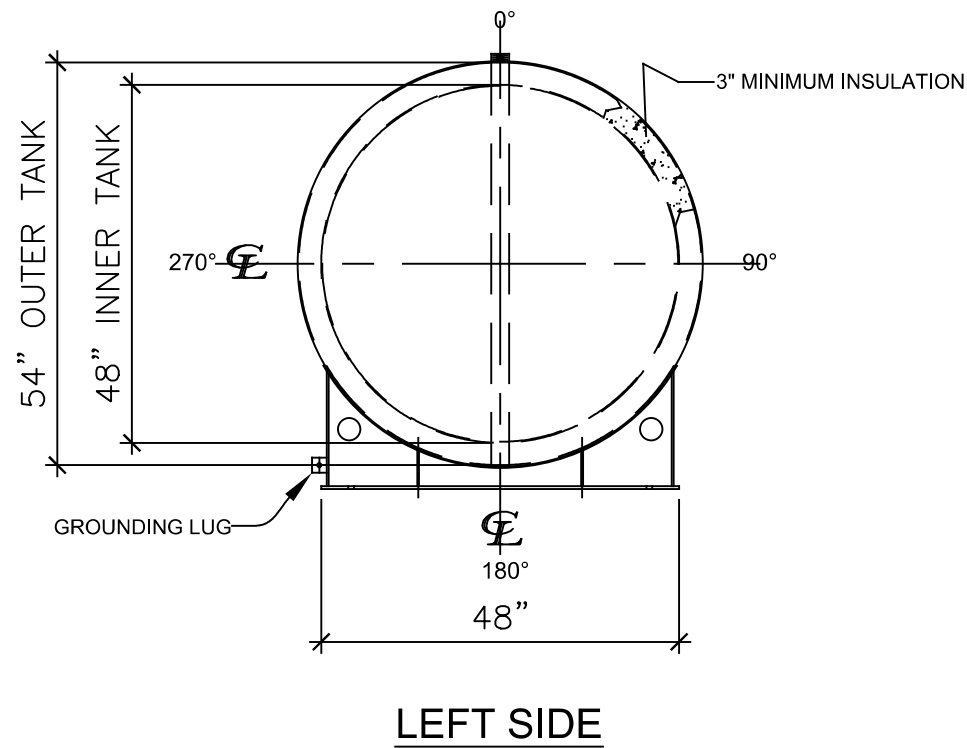


NOZZLE SCHEDULE

ITEM	SIZE	RATING	TYPE	MATL	PROJ. IN	PROJ. OUT	REMARKS	NOTES
A	4"	N.P.T.	W.F.	C.S.	STD.	STD.	PRIMARY	EMERGENCY VENT OPENING
B	4"	N.P.T.	CPL.	C.S.	STD.	STD.	SECONDARY	EMERGENCY VENT OPENING
C	2"	N.P.T.	CPL.	C.S.	STD.	STD.	-	-
D	4"	N.P.T.	CPL.	C.S.	STD.	STD.	-	-
E	2"	N.P.T.	PIPE	C.S.	STD.	STD.	-	MONITORING PORT
F	4"	N.P.T.	CPL.	C.S.	STD.	STD.	-	INTERSTICE FILL



NOTES:

- A. Material: H.R. Carbon Steel.
- B. Design Pressure: Atmospheric.
- C. Design Temperature: Ambient.
- D. Built & labeled per U.L. #142, #2085 & STI Fireguard Specifications.
- E. Interstice to be filled w/ 3" min. thermal insulation per Fireguard specs.
- F. Exterior: Blast & apply one shop coat WHITE enamel.
- G. All fittings to be labeled and protected for shipment.
- H. Customer to verify nozzle sizes, locations and quantities.
- I. Saddles/skids may require shimming or grouting during installation.

APPROVAL FOR CONSTRUCTION SCHEDULE A - MASTER TERMS & CONDITION OF SALE*		SALES ORDER:		WEIGHT (LBS): 3350
<input type="checkbox"/> APPROVED AS DRAWN.				All units inches unless stated otherwise
<input type="checkbox"/> APPROVED WITH NOTED CHANGES. CONSTRUCTION WILL BE SCHEDULED WHEN SIGNED DRAWING AND CONFIRMED ORDER ARE RECEIVED.		Phone: 870-735-4473		
SIGNATURE: _____ DATE: _____		DESCRIPTION: 550 Gallon 48" I.D. x 6'-0" O.A.L. Fireguard Saddle Tank		
<small>*All pages of this Schedule A are incorporated by reference and are a part of the additional terms of the Master Terms & Conditions of Sale. www.newberrytanks.com/masterterms.pdf</small>		CUSTOMER:		P.O.#
DATE: 3/8/2023	SCALE:	DWG.# NB00550FGD04810G	DRAWN BY: AJC SHEET 1 OF 1	