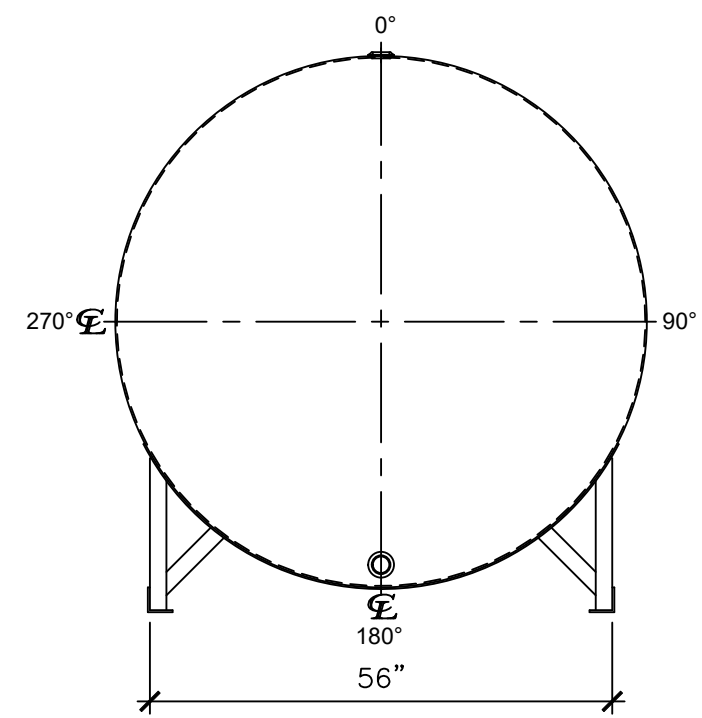
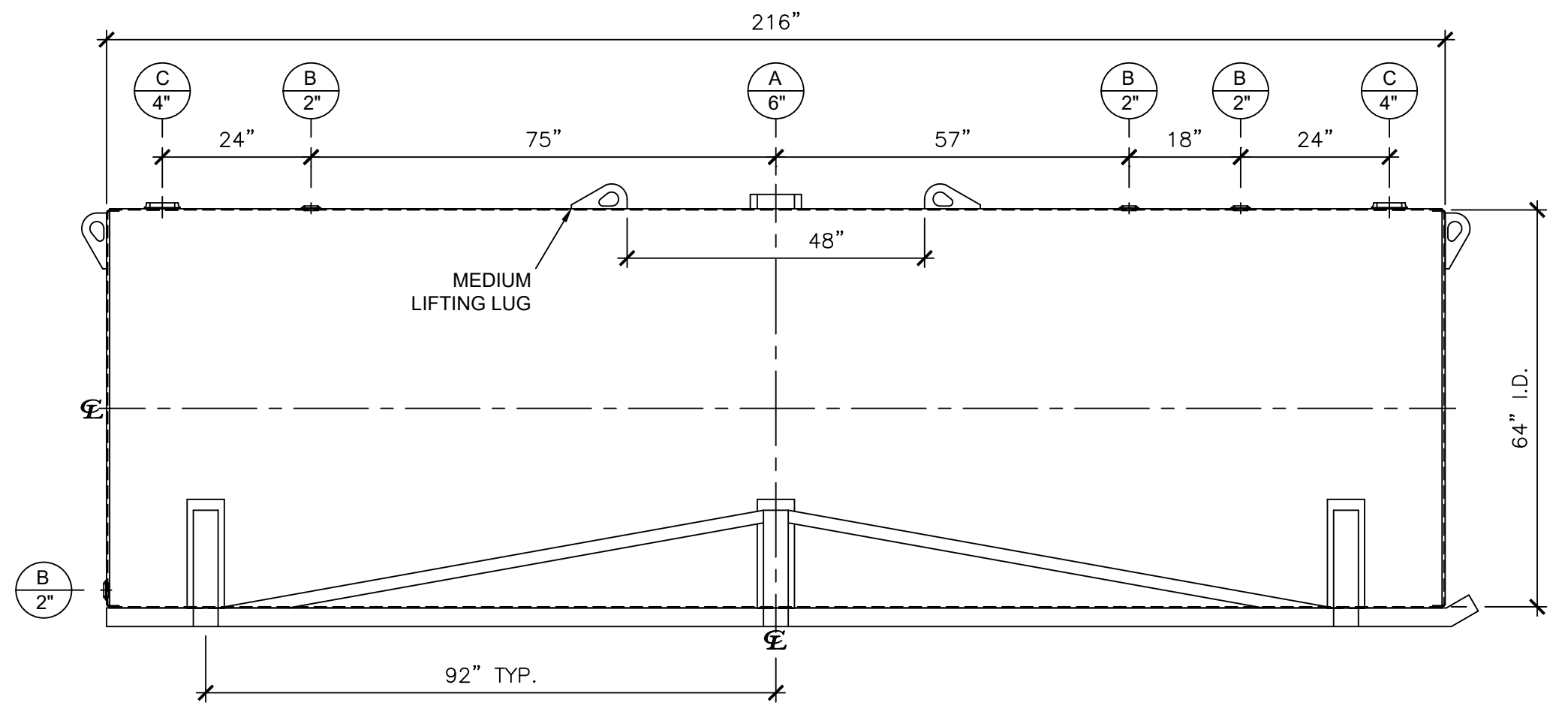


**NOZZLE SCHEDULE**

ITEM	SIZE	RATING	TYPE	MATL	PROJ. IN	PROJ. OUT	REMARKS	NOTES
A	6"	N.P.T.	H.CPL.	C.S.	STD.	STD.	-	EMERGENCY VENT OPENING
B	2"	N.P.T.	W.F.	C.S.	STD.	STD.	-	-
C	4"	N.P.T.	W.F.	C.S.	STD.	STD.	-	-



**LEFT SIDE**



**FRONT VIEW**

**NOTES:**

- A. Material: H.R. Carbon Steel.
- B. Design Pressure: Atmospheric.
- C. Design Temperature: Ambient.
- D. Built & labeled per U.L. spec. #142.
- E. Exterior: Gray primer included; see Sales Order for top coat.
- F. All fittings to be protected for shipment.
- G. Customer to verify nozzle sizes, locations, and quantities.
- H. Saddles/skids may require shimming or grouting during installation.

APPROVAL FOR CONSTRUCTION  
SCHEDULE A - MASTER TERMS & CONDITION OF SALE\*

APPROVED AS DRAWN.

APPROVED WITH NOTED CHANGES. CONSTRUCTION WILL BE SCHEDULED WHEN SIGNED DRAWING AND CONFIRMED ORDER ARE RECEIVED.

SIGNATURE: \_\_\_\_\_

DATE: \_\_\_\_\_

\*All pages of this Schedule A are incorporated by reference and are a part of the additional terms of the Master Terms & Conditions of Sale. www.newberrytanks.com/masterterms.pdf

**SALES ORDER:**

**Newberry Tanks**  
New Thinking

Phone: 870-735-4473

WEIGHT (LBS): 3400

All units inches unless stated otherwise

DESCRIPTION:  
**3000 GALLON 64" I.D. x 18'-0" O.A.L. SINGLE WALL ANGLE SKID TANK**

CUSTOMER: \_\_\_\_\_ P.O.# \_\_\_\_\_

DATE: 06/05/23 SCALE: \_\_\_\_\_ DWG.# NB03000SWS06407G DRAWN BY: WR

SHEET 1 OF 1