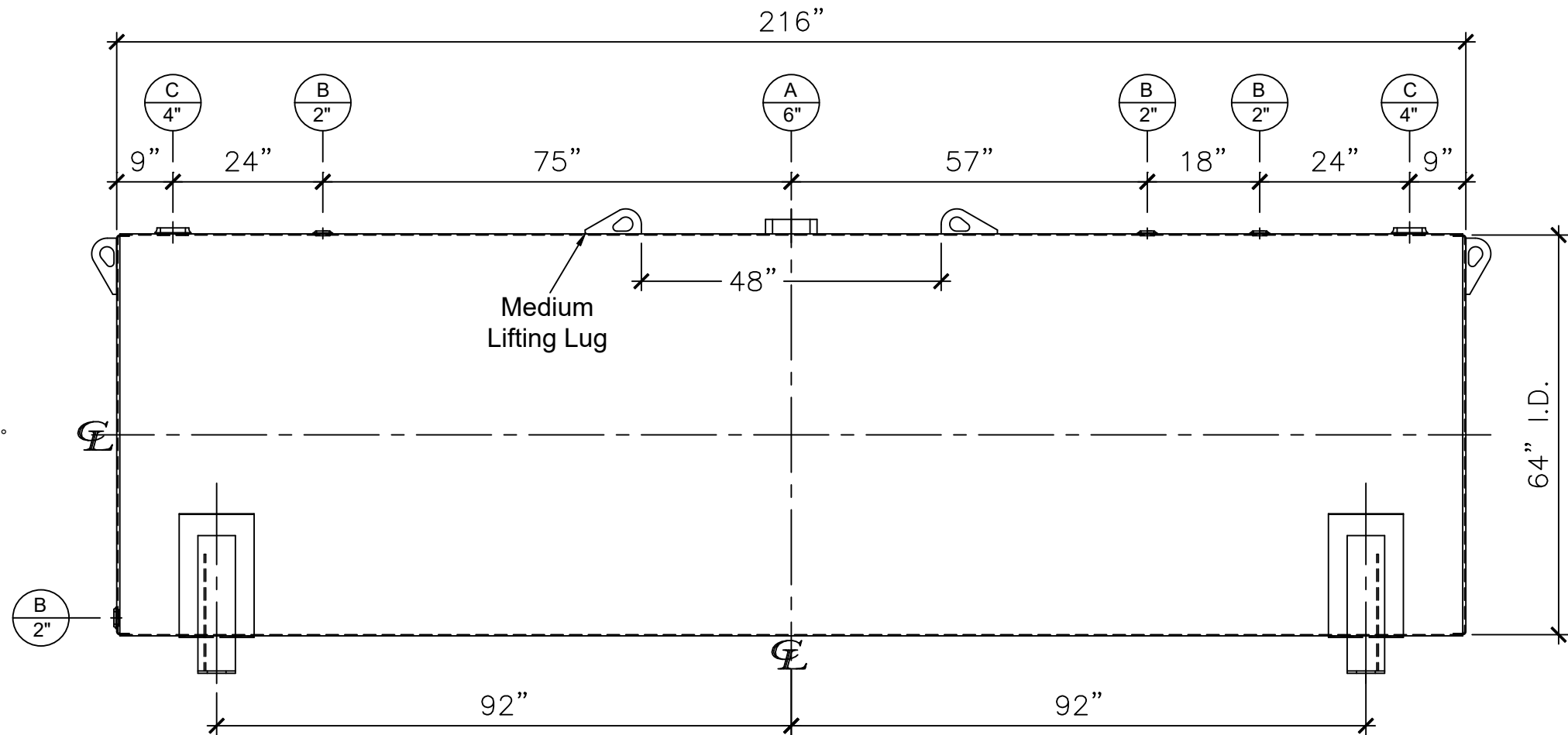
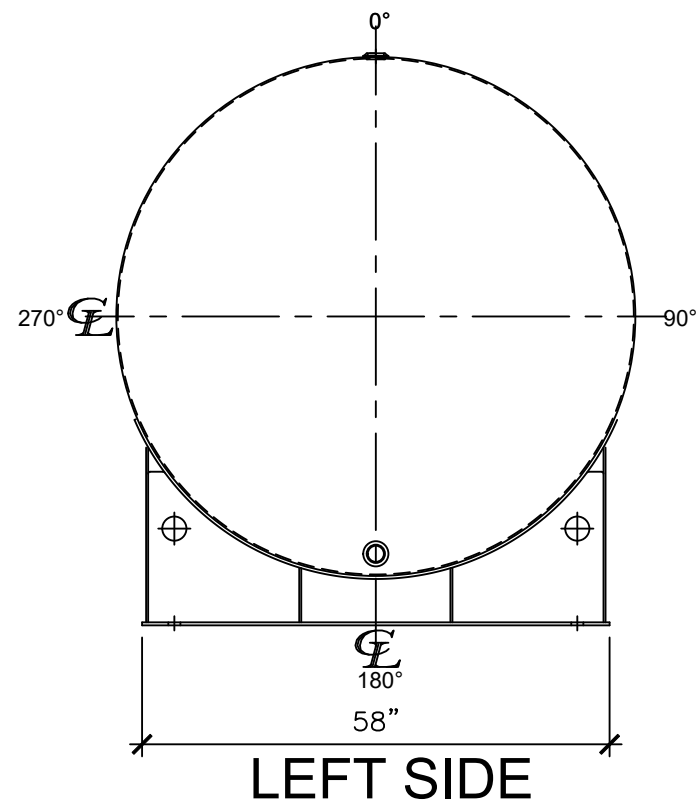


NOZZLE SCHEDULE								
ITEM	SIZE	RATING	TYPE	MATL	PROJ. IN	PROJ. OUT	REMARKS	NOTES
A	6"	N.P.T.	H.CPL.	C.S.	STD.	STD.	EMERGENCY VENT OPENING	-
B	2"	N.P.T.	W.F.	C.S.	STD.	STD.	-	-
C	4"	N.P.T.	W.F.	C.S.	STD.	STD.	-	-



**NOTES:**

- A. Material: H.R. Carbon Steel.
- B. Design Pressure: Atmospheric.
- C. Design Temperature: Ambient.
- D. Built & Labeled per U.L. Spec. #142.
- E. Exterior: Gray primer included; see Sales Order for top coat.
- F. All Fittings to be protected for shipment.
- G. Customer to verify nozzle sizes, locations, and quantities.
- H. Saddles/skids may require shimming or grouting during installation.

APPROVAL FOR CONSTRUCTION  
SCHEDULE A - MASTER TERMS &  
CONDITION OF SALE\*


APPROVED AS DRAWN.

APPROVED WITH NOTED CHANGES.  
CONSTRUCTION WILL BE SCHEDULED  
WHEN SIGNED DRAWING AND  
CONFIRMED ORDER ARE RECEIVED.

SIGNATURE: \_\_\_\_\_

DATE: \_\_\_\_\_

\*All pages of this Schedule A are incorporated by  
reference and are a part of the additional terms of  
the Master Terms & Conditions of Sale.  
www.newberrytanks.com/masterterms.pdf

SALES ORDER: -		WEIGHT (LBS): 3350
		All units inches unless stated otherwise
Phone: 870-735-4473		
DESCRIPTION: 3000 GALLON 64" I.D. X 18'-0" O.A.L. SINGLE WALL SADDLE TANK		
CUSTOMER: -		P.O.#: -
DATE: 10/10/22	SCALE:	DWG.# NB03000SWB06407G
		DRAWN BY: TC SHEET 1 OF 1

This drawing may contain CONFIDENTIAL information and is intended only for the use of the specific individual(s) to which it is addressed.