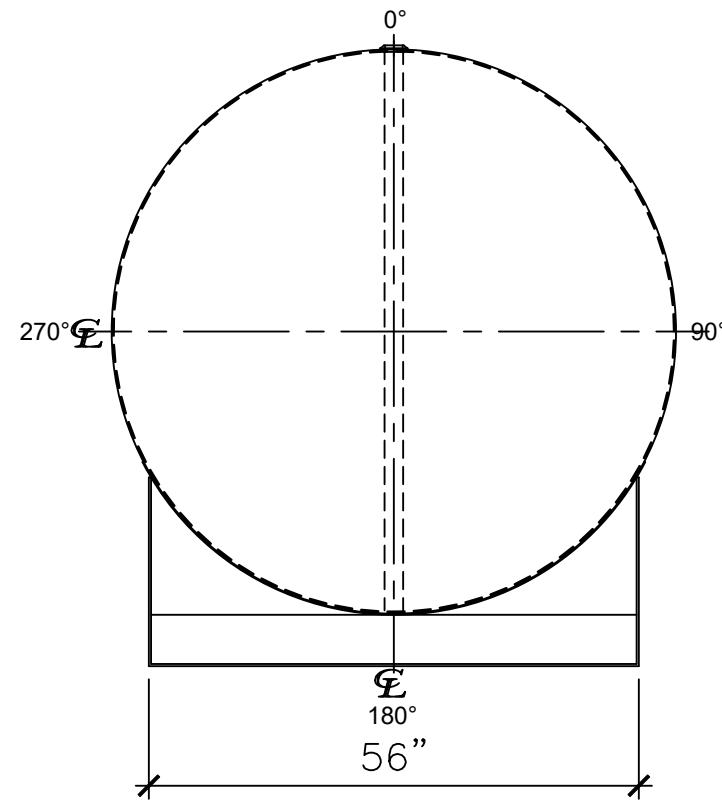
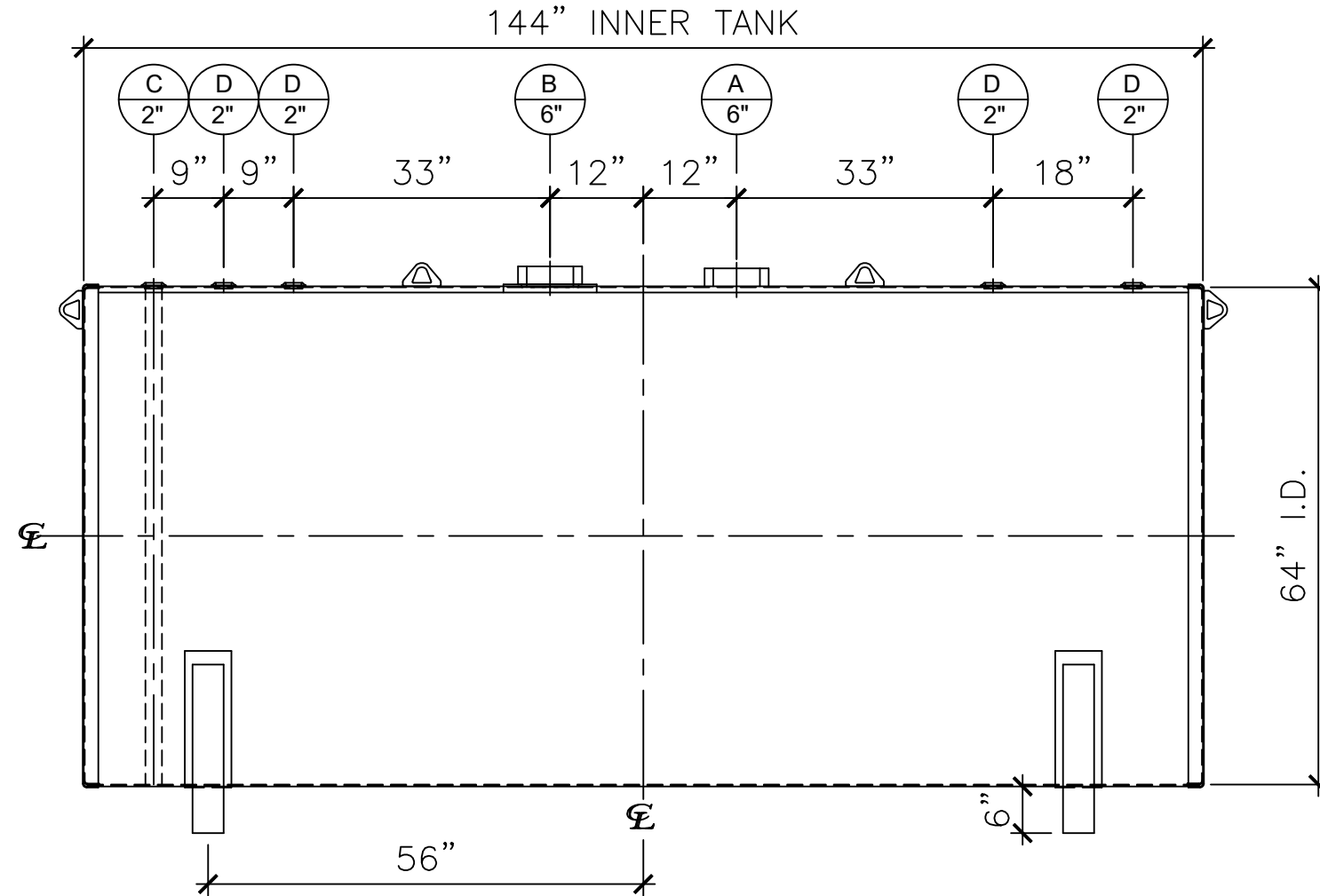


### NOZZLE SCHEDULE

ITEM	SIZE	RATING	TYPE	MATL	PROJ. IN	PROJ. OUT	REMARKS	NOTES
A	6"	N.P.T.	H.CPL.	C.S.	STD.	STD.	PRIMARY	EMERGENCY VENT OPENING
B	6"	N.P.T.	H.CPL.	C.S.	STD.	STD.	SECONDARY	EMERGENCY VENT OPENING
C	2"	N.P.T.	M.F.	C.S.	STD.	STD.	-	MONITORING PORT
D	2"	N.P.T.	W.F.	C.S.	STD.	STD.	-	-



LEFT SIDE



FRONT VIEW

**NOTES:**

- A. Quantity:
- B. Material: H.R. Carbon Steel.
- C. Design Pressure: Atmospheric.
- D. Design Temperature: Ambient.
- E. Built & labeled per U.L. #142 & SwRI 97-04 specifications.
- F. Exterior: Blast & apply one shop coat WHITE enamel.
- G. All fittings to be protected for shipment.
- H. Customer to verify nozzle sizes, locations, and quantities.
- I. Saddles/skids may require shimming or grouting during installation.

<p style="text-align: center; font-size: small;">APPROVAL FOR CONSTRUCTION SCHEDULE A - MASTER TERMS &amp; CONDITION OF SALE*</p> <p><input type="checkbox"/> APPROVED AS DRAWN.</p> <p><input type="checkbox"/> APPROVED WITH NOTED CHANGES. CONSTRUCTION WILL BE SCHEDULED WHEN SIGNED DRAWING AND CONFIRMED ORDER ARE RECEIVED.</p> <p>SIGNATURE: _____</p> <p>DATE: _____</p> <p style="font-size: x-small;">*All pages of this Schedule A are incorporated by reference and are a part of the additional terms of the Master Terms &amp; Conditions of Sale. www.newberrytanks.com/masterterms.pdf</p>	<p><b>SALES ORDER:</b></p> <div style="display: flex; justify-content: space-between;"> <p style="font-size: small;">All units inches unless stated otherwise</p> </div> <p style="text-align: right; font-size: small;">Phone: 870-735-4473</p> <p><b>DESCRIPTION:</b> 2000 Gallon 64" I.D. x 12'-0" O.A.L. DOUBLE WALL FLAMESHIELD BRACKET TANK</p> <table style="width: 100%; font-size: x-small;"> <tr> <td style="width: 30%;">CUSTOMER:</td> <td style="width: 30%;">SCALE:</td> <td style="width: 30%;">DWG.#</td> <td style="width: 10%;">P.O.#</td> </tr> <tr> <td>-</td> <td>03/21/23</td> <td>NB02000FSD06407G</td> <td>-</td> </tr> <tr> <td colspan="3">DRAWN BY: WR</td> <td style="text-align: right;">SHEET 1 OF 1</td> </tr> </table>	CUSTOMER:	SCALE:	DWG.#	P.O.#	-	03/21/23	NB02000FSD06407G	-	DRAWN BY: WR			SHEET 1 OF 1
CUSTOMER:	SCALE:	DWG.#	P.O.#										
-	03/21/23	NB02000FSD06407G	-										
DRAWN BY: WR			SHEET 1 OF 1										