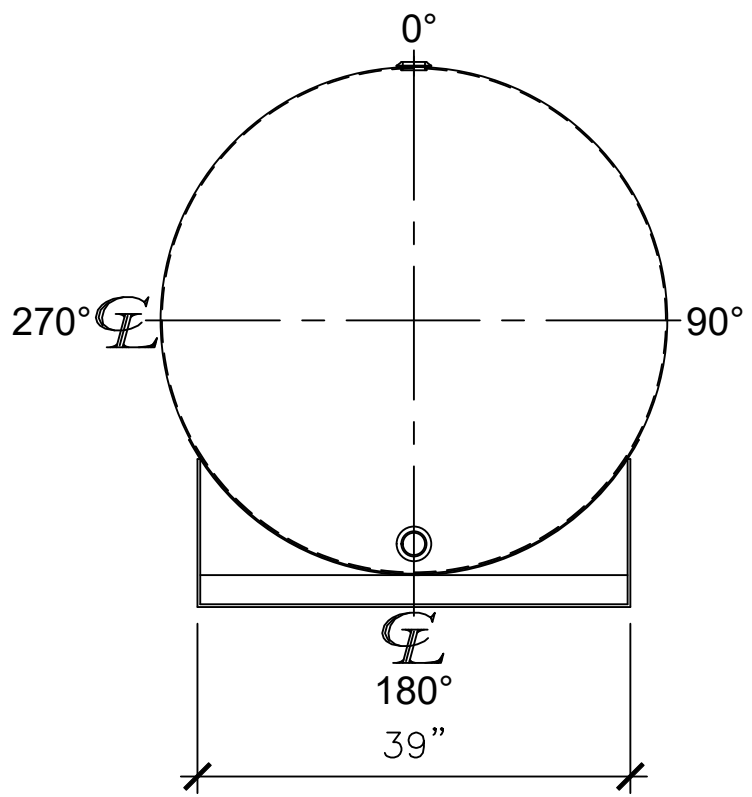
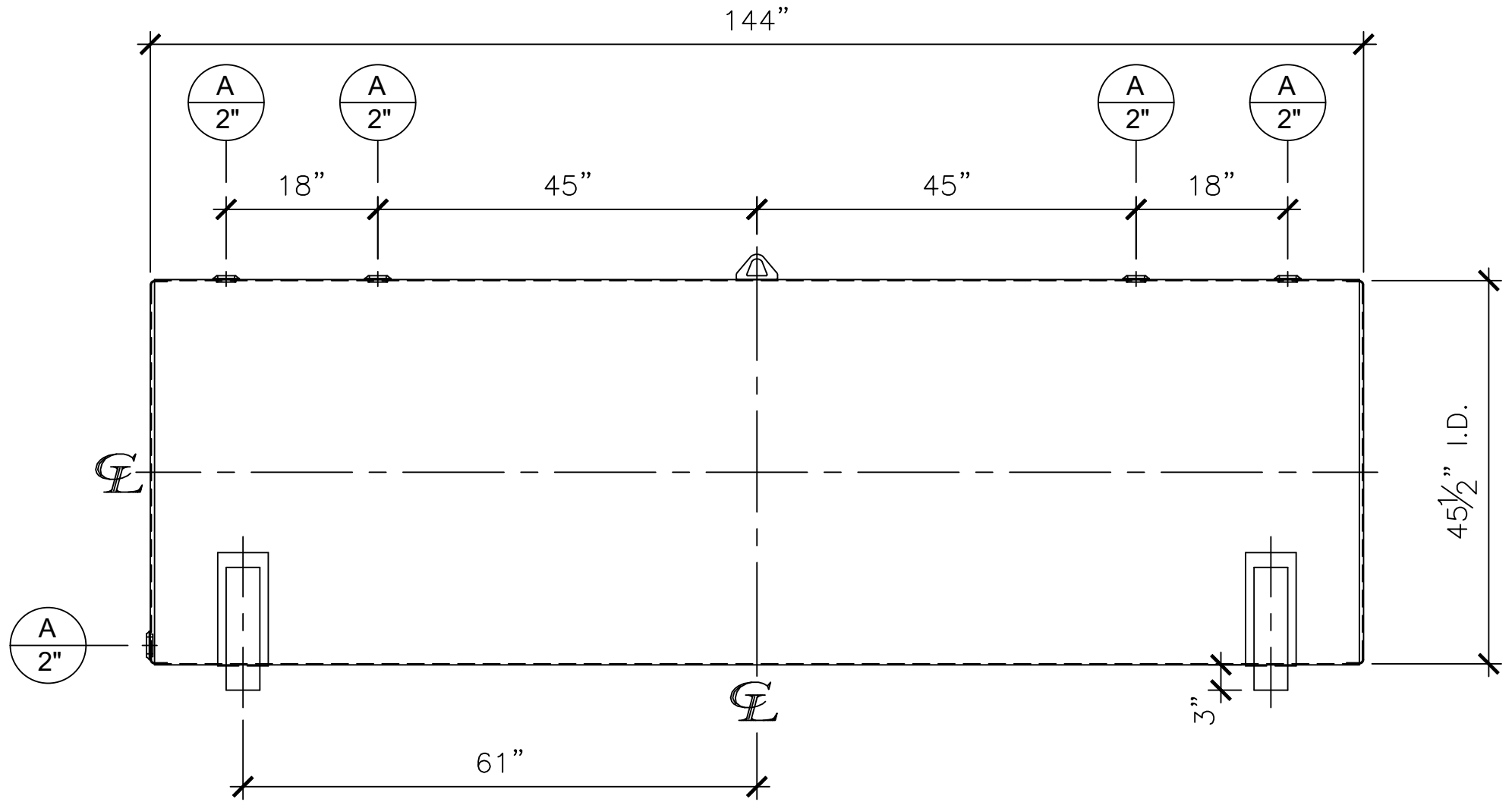


NOZZLE SCHEDULE						
ITEM	SIZE	RATING	TYPE	MATL	REMARKS	NOTES
A	2"	N.P.T.	W.F.	C.S.	-	-



**LEFT SIDE**



**FRONT VIEW**

**NOTES:**

- A. Material: H.R. Carbon Steel.
- B. Design Pressure: Atmospheric.
- C. Design Temperature: Ambient.
- D. Exterior: Gray primer included; see Sales Order for top coat.
- E. All Fittings to be protected for shipment.
- F. Customer to verify nozzle sizes, locations, and quantities.
- G. Saddles/skids may require shimming or grouting during installation.

APPROVAL FOR CONSTRUCTION  
SCHEDULE A - MASTER TERMS &  
CONDITION OF SALE\*

APPROVED AS DRAWN.

APPROVED WITH NOTED CHANGES.  
CONSTRUCTION WILL BE SCHEDULED  
WHEN SIGNED DRAWING AND  
CONFIRMED ORDER ARE RECEIVED.

SIGNATURE: \_\_\_\_\_

DATE: \_\_\_\_\_

\*All pages of this Schedule A are incorporated by  
reference and are a part of the additional terms of  
the Master Terms & Conditions of Sale.  
www.newberrytanks.com/masterterms.pdf

**SALES ORDER: -**

**Newberry Tanks**  
New Thinking

Phone: 870-735-4473

WEIGHT (LBS): 1050

All units inches  
unless stated  
otherwise

DESCRIPTION:  
**1000 Gallon 45 1/2" I.D. x 12'-0" O.A.L. Single Wall Farm  
Bracket Tank**

CUSTOMER: \_\_\_\_\_ P.O.# \_\_\_\_\_

DATE: 04/17/23 SCALE: \_\_\_\_\_ DWG.# NB01000FTB45512G

DRAWN BY: WR

SHEET 1 OF 1