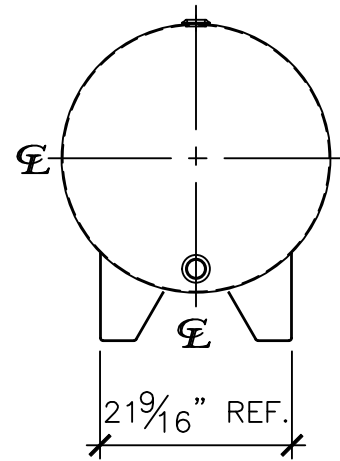
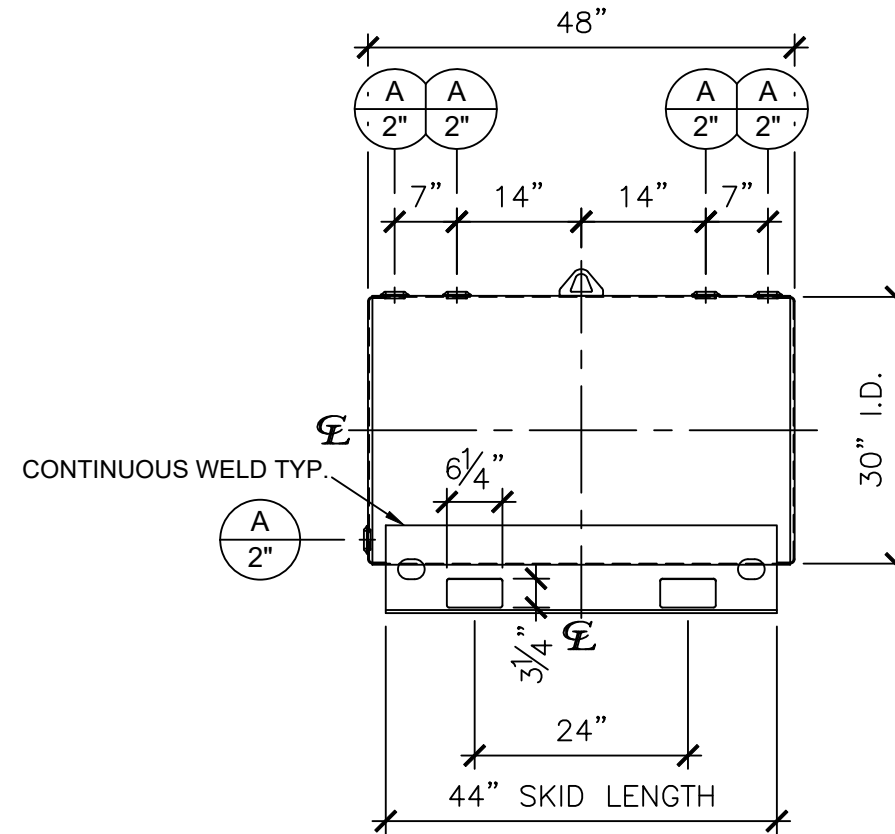


NOZZLE SCHEDULE

ITEM	SIZE	RATING	TYPE	MATL	REMARKS	NOTES
A	2"	N.P.T.	W.F.	C.S.	-	-



LEFT SIDE



FRONT VIEW

NOTES:

- A. Material: H.R. Carbon Steel.
- B. Design Pressure: Atmospheric.
- C. Design Temperature: Ambient.
- D. Exterior: Gray primer included; see Sales Order for top coat.
- E. All Fittings to be protected for shipment.
- F. Customer to verify nozzle sizes, locations, and quantities.
- G. Saddles/skids may require shimming or grouting during installation.

APPROVAL FOR CONSTRUCTION SCHEDULE A - MASTER TERMS & CONDITION OF SALE*		SALES ORDER:		WEIGHT (LBS): 288
<input type="checkbox"/> APPROVED AS DRAWN. <input type="checkbox"/> APPROVED WITH NOTED CHANGES, CONSTRUCTION WILL BE SCHEDULED WHEN SIGNED DRAWING AND CONFIRMED ORDER ARE RECEIVED.		Phone: 870-735-4473		
SIGNATURE: _____ DATE: _____		DESCRIPTION: 150 GALLON 30" I.D. x 4'-0" O.A.L. SINGLE WALL AGRICULTURAL SKID TANK		
*All pages of this Schedule A are incorporated by reference and are a part of the additional terms of the Master Terms & Conditions of Sale. www.newberrytanks.com/masterterms.pdf		CUSTOMER:	-	P.O.#
DATE:	07/17/23	SCALE:		DWG.#
				NB00150FTS03012G
			DRAWN BY: WR SHEET 1 OF 1	