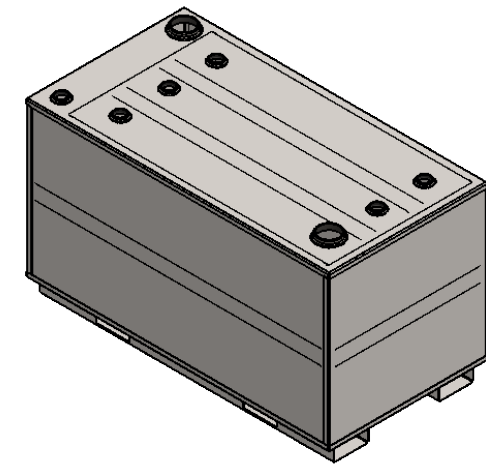
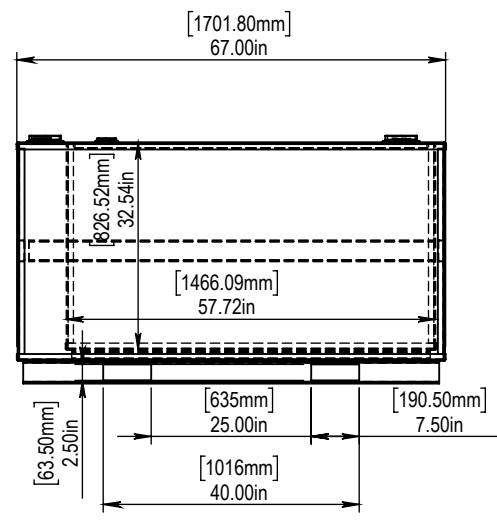
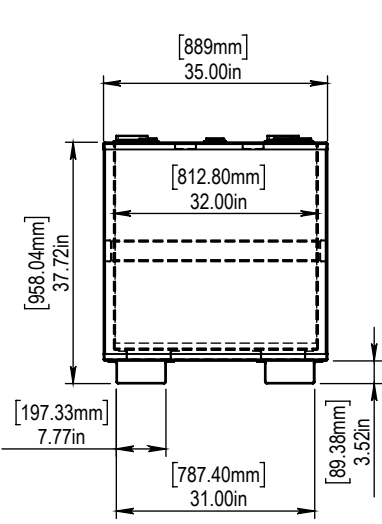
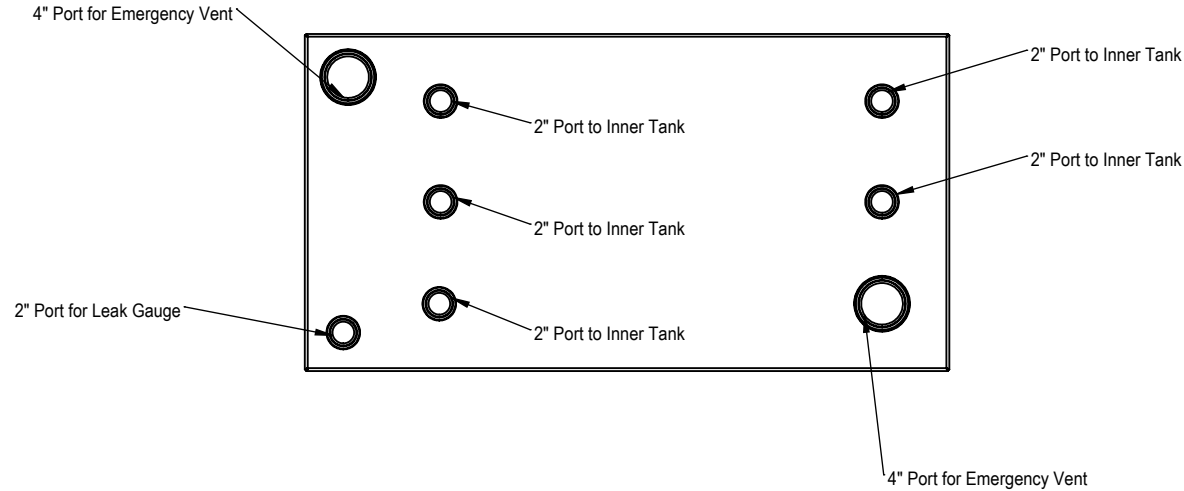


IF IN DOUBT ASK



TOLERANCES UNLESS SPECIFIED  
 X = ± 2mm  
 X.X = ± 0.8mm  
 X.XX = ± 0.25mm  
 ANGLES = ± 2  
 ALL ANGLES ARE 90, UNLESS SPECIFIED

REVISIONS

REV	DATE	DESCRIPTION
1.2	3/21/13	
1.3	5/10/13	
1.4	9/15/2015	

DRAWN BY:  
JP  
 APPROVED BY:  
 DATE:  
3/30/2017



Midwest Industrial Tanks  
 Elkhart, Indiana 46516  
 877-207-0320  
 Ph. 402-683-2003  
 Email: rbarnts@mitanks.com  
 http://www.mitanks.com

MATERIAL	THICKNESS(in)	WGHT (lbs.)	SCALE	UNITS
Plain Carbon Steel	.14	839.41	1:25	[mm] inches
TITLE: RTD-CC-250-10-12				
DRAWING No : 1 of 17				