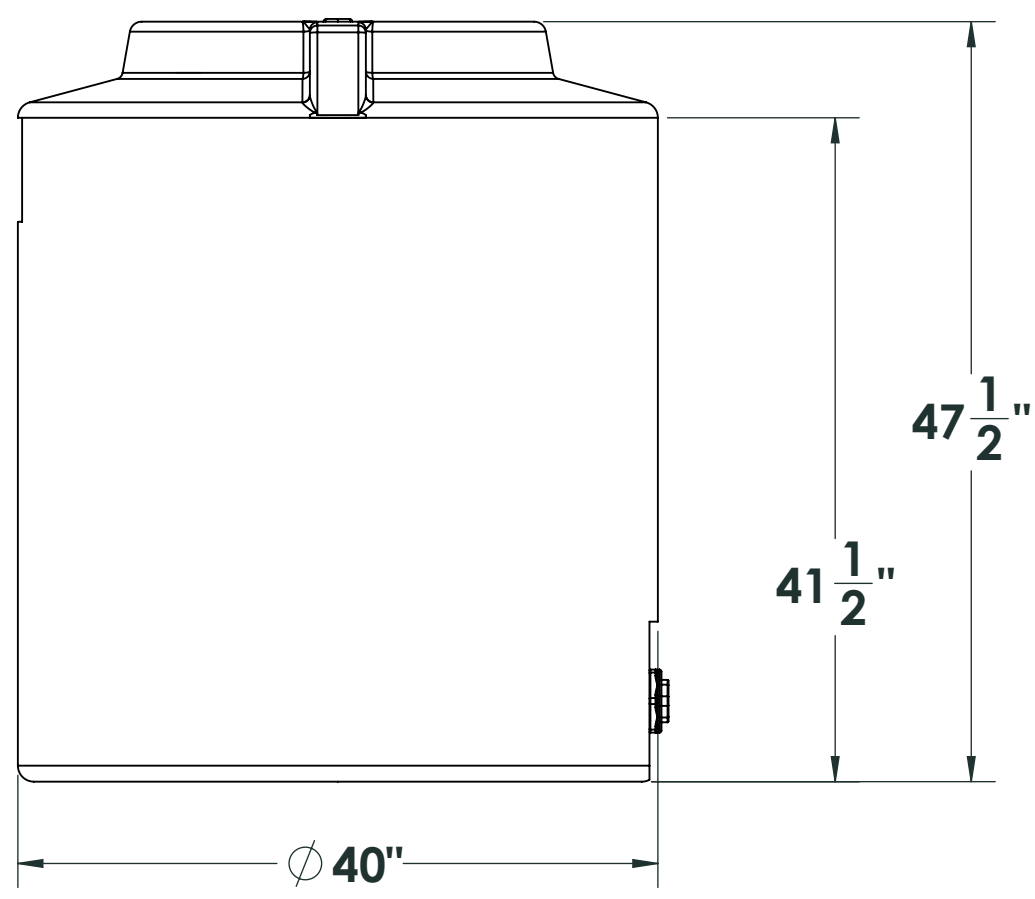
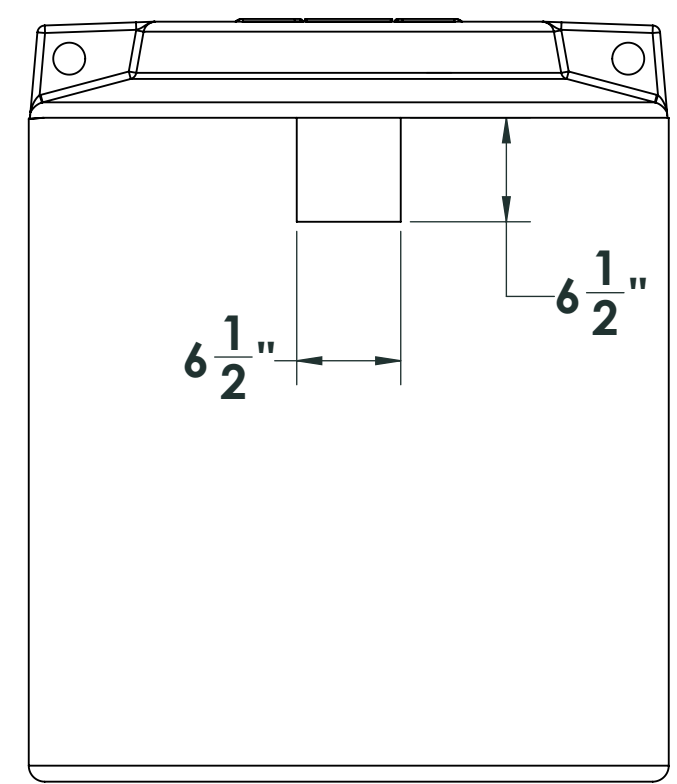
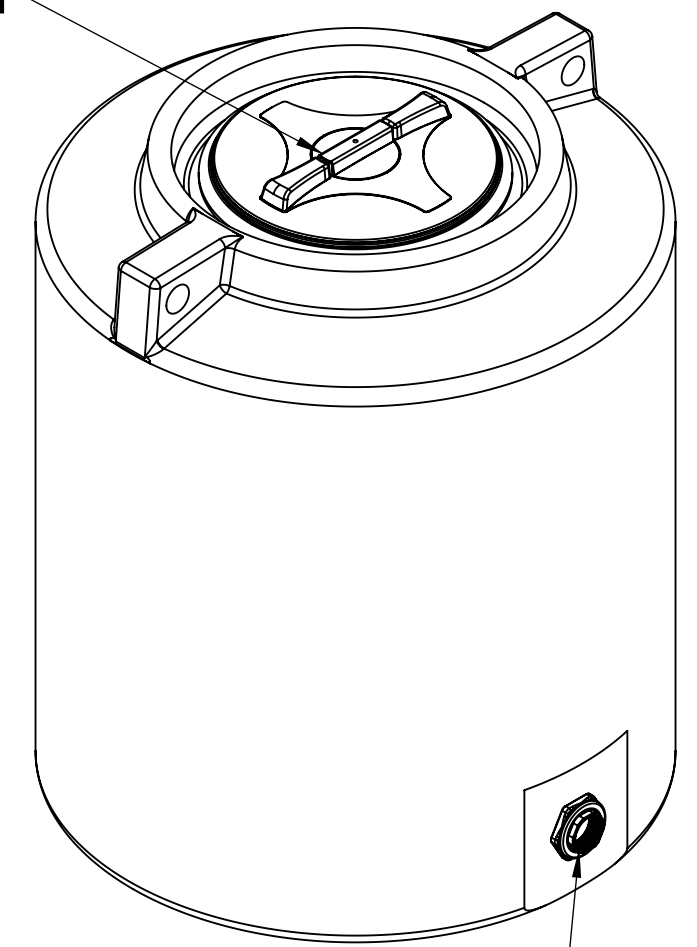
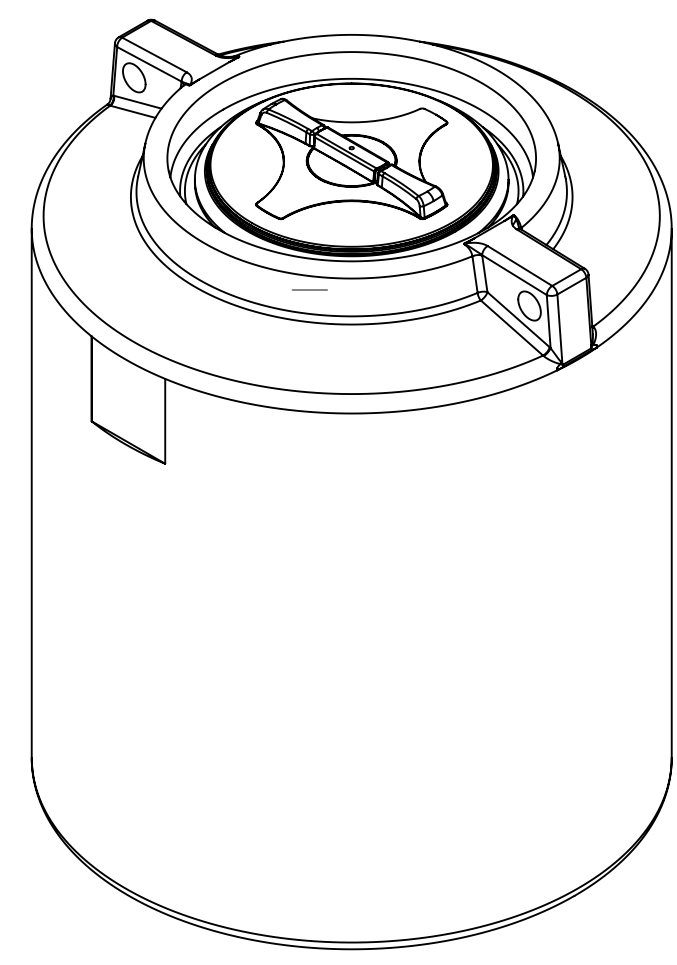
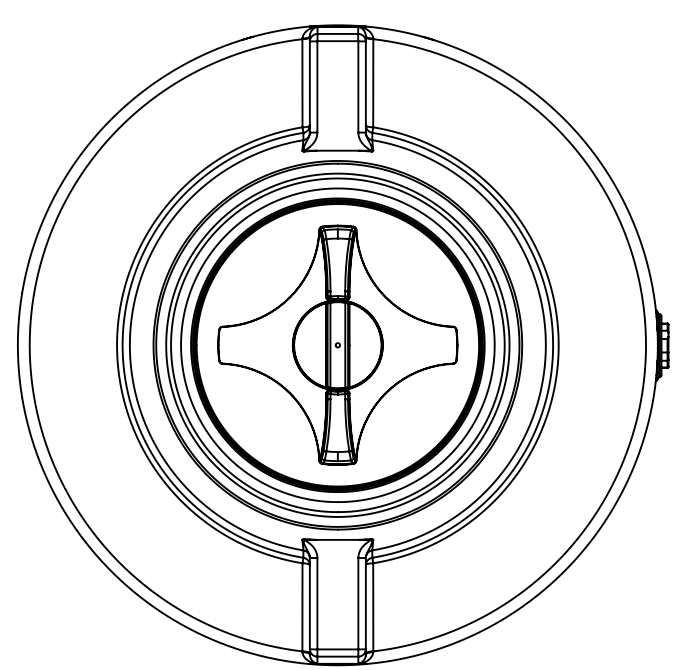


16 inch lid

2 inch threaded fitting



NOTE: Allow +/- 1.5% Shrinkage

PROPRIETARY AND CONFIDENTIAL
 THE INFORMATION CONTAINED IN THIS DRAWING IS THE SOLE PROPERTY OF ENDURAPLAS LLC. ANY REPRODUCTION IN PART OR AS A WHOLE WITHOUT THE WRITTEN PERMISSION OF ENDURAPLAS LLC IS PROHIBITED.

		UNLESS OTHERWISE SPECIFIED:	NAME	DATE	ENDURAPLAS LLC		
		DIMENSIONS ARE IN INCHES	DRAWN	DNS		10/31/16	
		TOLERANCES:	CHECKED			TITLE:	
		FRACTIONAL ±	ENG APPR.			TLV00210	
		ANGULAR: MACH ±	MFG APPR.		SIZE	DWG. NO.	REV
		TWO PLACE DECIMAL ±	Q.A.		C		1
		THREE PLACE DECIMAL ±	COMMENTS:		SCALE: 1:16	WEIGHT:	SHEET 1 OF 1
NEXT ASSY	USED ON	FINISH					
APPLICATION	DO NOT SCALE DRAWING						