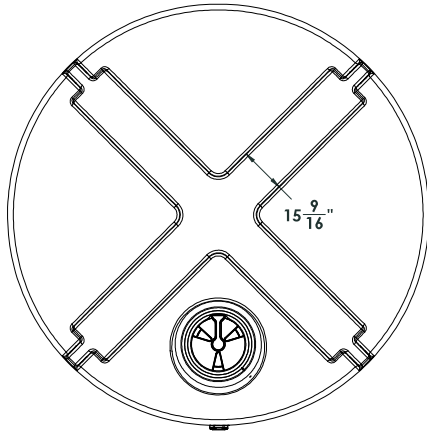


4

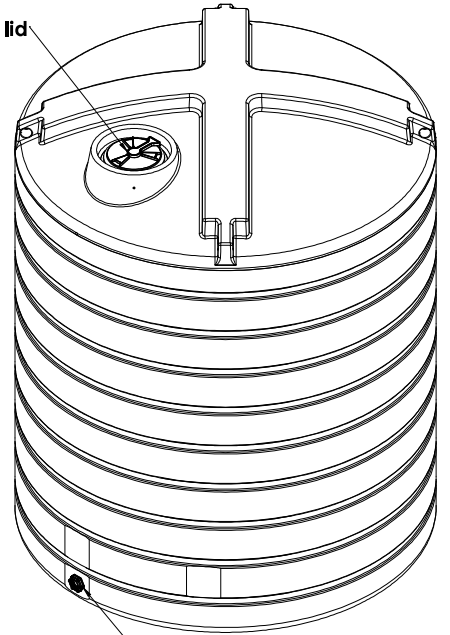
3

2

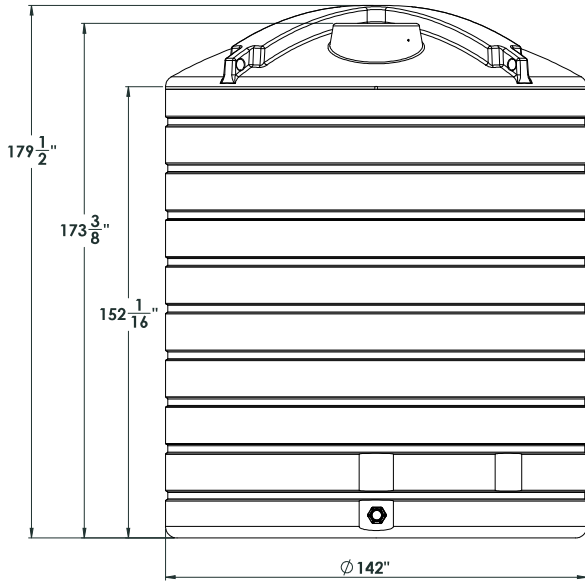
1



16 inch lid



3 inch bolted fitting



NOTE: Allow +/- 1.5% Shrinkage

PROPRIETARY AND CONFIDENTIAL:
 THE INFORMATION CONTAINED HEREIN IS THE
 EXCLUSIVE PROPERTY OF
 ENDURAPLAS, AND NO PORTION MAY
 BE REPRODUCED OR TRANSMITTED IN ANY
 FORM OR BY ANY MEANS, WITHOUT THE
 WRITTEN PERMISSION OF ENDURAPLAS LLC
 IS PROHIBITED.

UNLESS OTHERWISE SPECIFIED:		DATE	ENDURAPLAS LLC
DIMENSIONS: ALL IN INCHES	DRAWN	11/17/16	TITLE: THV10000
TOLERANCES:	CHECKED		
FRACTURE: ±	ENG. APPR.		
ANGULAR SURFACE: BB, CD	MFG. APPR.		
TWO PLACE DECIMAL	Q.A.		SIDE DWG. NO. C REV 1
THREE PLACE DECIMAL	COMMENTS:		
INTERPRET GEOMETRIC TOLERANCING PER: ASME Y14.5-2009	DATE:		SCALE: 1:50 WEIGHT:
WARRANTY:	APP.:		SHEET 1 OF 1
NEXT ASSY:	USED ON:		
APPLICATION:	DO NOT SCALE DRAWING		

4

3

2

1