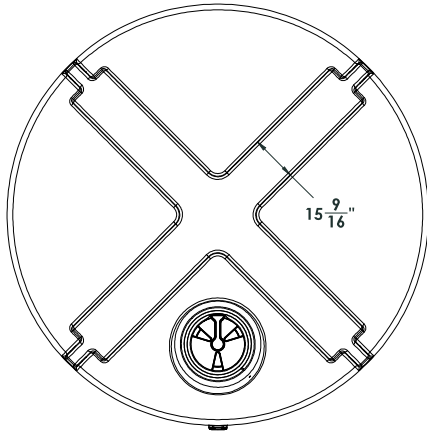


4

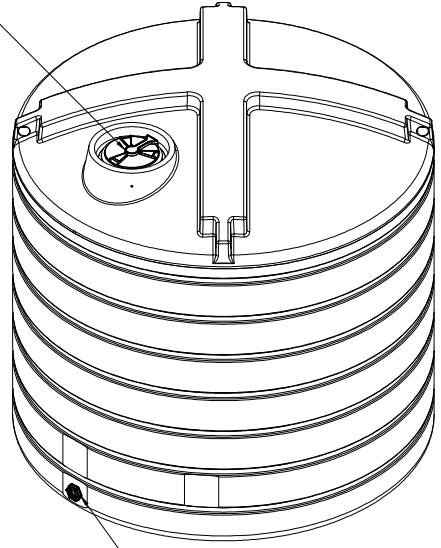
3

2

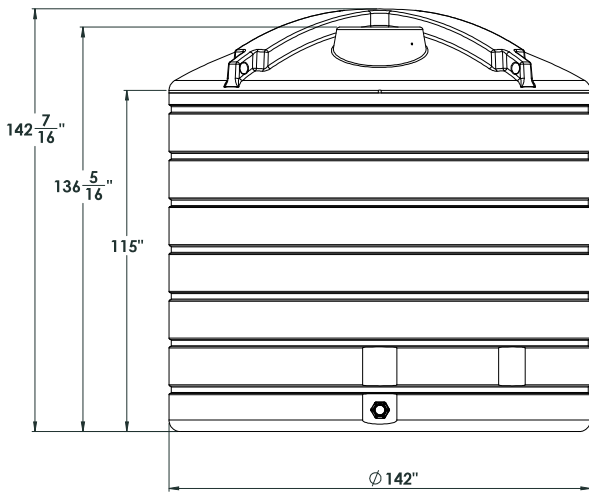
1



16 inch lid



3 inch bolted fitting



NOTE: Allow +/- 1.5% Shrinkage

PROPRIETARY AND CONFIDENTIAL:
 THIS INFORMATION IS THE PROPERTY OF
 ENDURAPLAS, INC. AND IS NOT TO BE
 REPRODUCED OR TRANSMITTED IN ANY
 FORM OR BY ANY MEANS, WITHOUT THE
 WRITTEN PERMISSION OF ENDURAPLAS, INC.

UNLESS OTHERWISE SPECIFIED:		DATE
DIMENSIONS ARE IN INCHES	DRAWN	11/17/16
TOLERANCES	CHKD	
FRANCHISE	ENG APPR	
ANGULAR SURFACE	MFG APPR	
TWO PLACE DECIMAL	Q.A.	
THREE PLACE DECIMAL	COMMENTS	
	REWORK	
	DATE	
NEXT ASSY	USED ON	
APPLICATION	DO NOT SCALE DRAWING	

ENDURAPLAS LLC

TITLE:

THV08000

SIDE DWG. NO.

C

REV

1

SCALE: 1:50 WEIGHT:

SHEET 1 OF 1

4

3

2

1