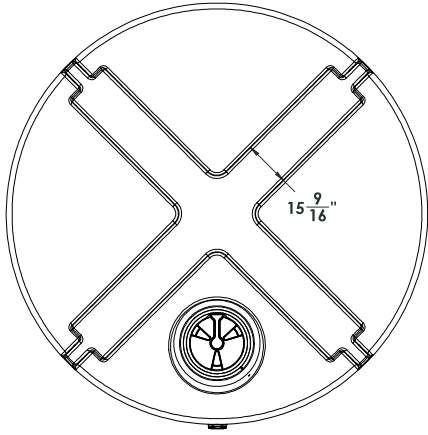


4

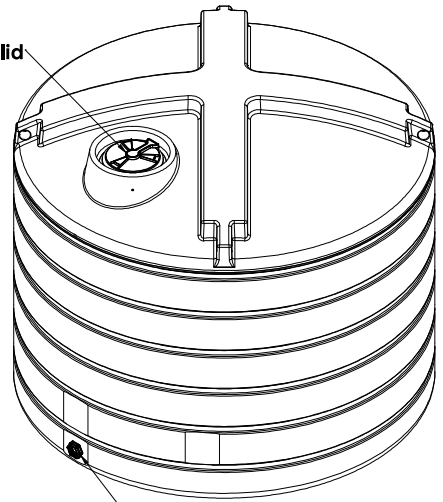
3

2

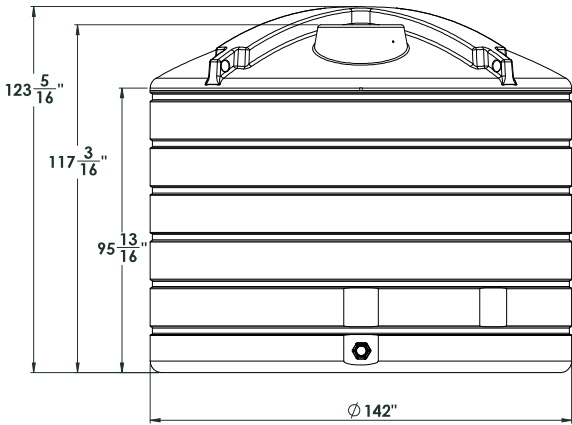
1



16 inch lid



3 inch bolted fitting



NOTE: Allow +/- 1.5% Shrinkage

PROPRIETARY AND CONFIDENTIAL
 THE INFORMATION CONTAINED HEREIN IS THE SOLE PROPERTY OF ENDURAPLAS, LLC. REPRODUCTION OR TRANSMISSION IN ANY FORM OR BY ANY MEANS WITHOUT THE WRITTEN PERMISSION OF ENDURAPLAS, LLC IS PROHIBITED.

UNLESS OTHERWISE SPECIFIED:		DATE	ENDURAPLAS LLC
DIMENSIONS: ALL IN INCHES	DRAWN	11/17/16	TITLE: THV07011
TOLERANCES:	CHECKED		
FRANCHISE: ±	ENG. APPR.		
ANGULAR SURFACE: ±	MFG. APPR.		
TWO PLACE DECIMAL: ±	Q.A.		SIDE: C DWG. NO. REV: 1
THREE PLACE DECIMAL: ±	COMMENTS:		
INTERPRET GOVERNMENT TOLERANCING PER:	DATE:		SCALE: 1:50 WEIGHT: SHEET 1 OF 1
APPROVAL:	DO NOT SCALE DRAWING		

4

3

2

1