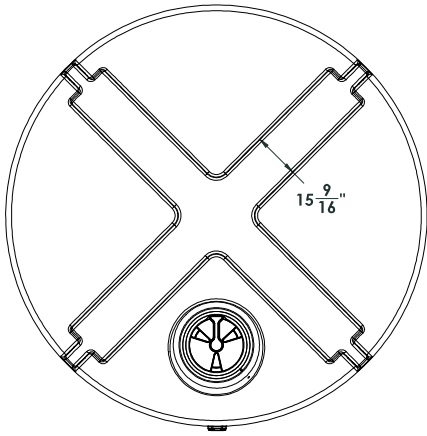


4

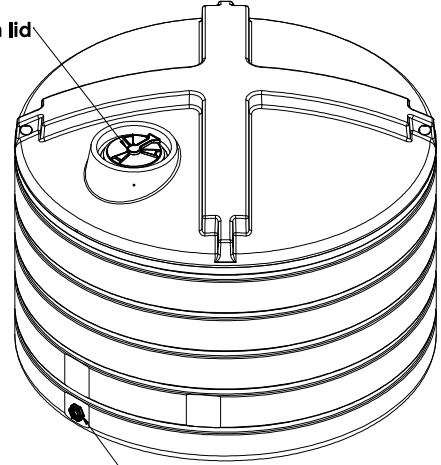
3

2

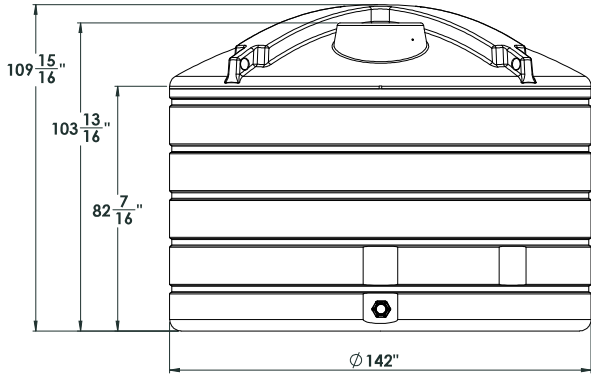
1



16 inch lid



3 inch bolted fitting



NOTE: Allow +/- 1.5% Shrinkage

PROPRIETARY AND CONFIDENTIAL
 THE INFORMATION CONTAINED HEREIN IS THE
 EXCLUSIVE PROPERTY OF
 ENDURAPLAS, AND REPRODUCTION
 THEREOF IN ANY MANNER WITHOUT THE
 WRITTEN PERMISSION OF ENDURAPLAS IS
 PROHIBITED.

UNLESS OTHERWISE SPECIFIED:		DATE	ENDURAPLAS LLC	
DEPT. QMS	APR. 11, 2016	11/17/16	TITLE:	
DESIGNER	APR. 11, 2016		THV06011	
DRG. CHECKER	APR. 11, 2016		SIDE DWG. NO.	
ENG. APPR.	APR. 11, 2016		REV 1	
MFG. APPR.	APR. 11, 2016		SCALE: 1:150 WEIGHT:	
Q.A.	APR. 11, 2016		SHEET 1 OF 1	
COMMENTS:				
INTERPRET:				
COUPLING PER:				
WARRANTY:				
REVISION:				
NEXT ASSY:	USED ON:			
APPLICATION:	DO NOT SCALE DRAWING			

4

3

2

1