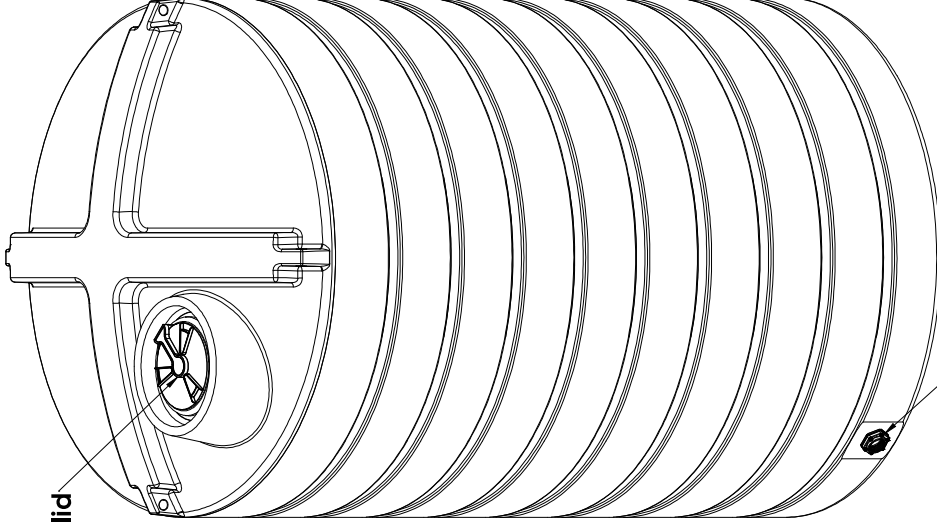
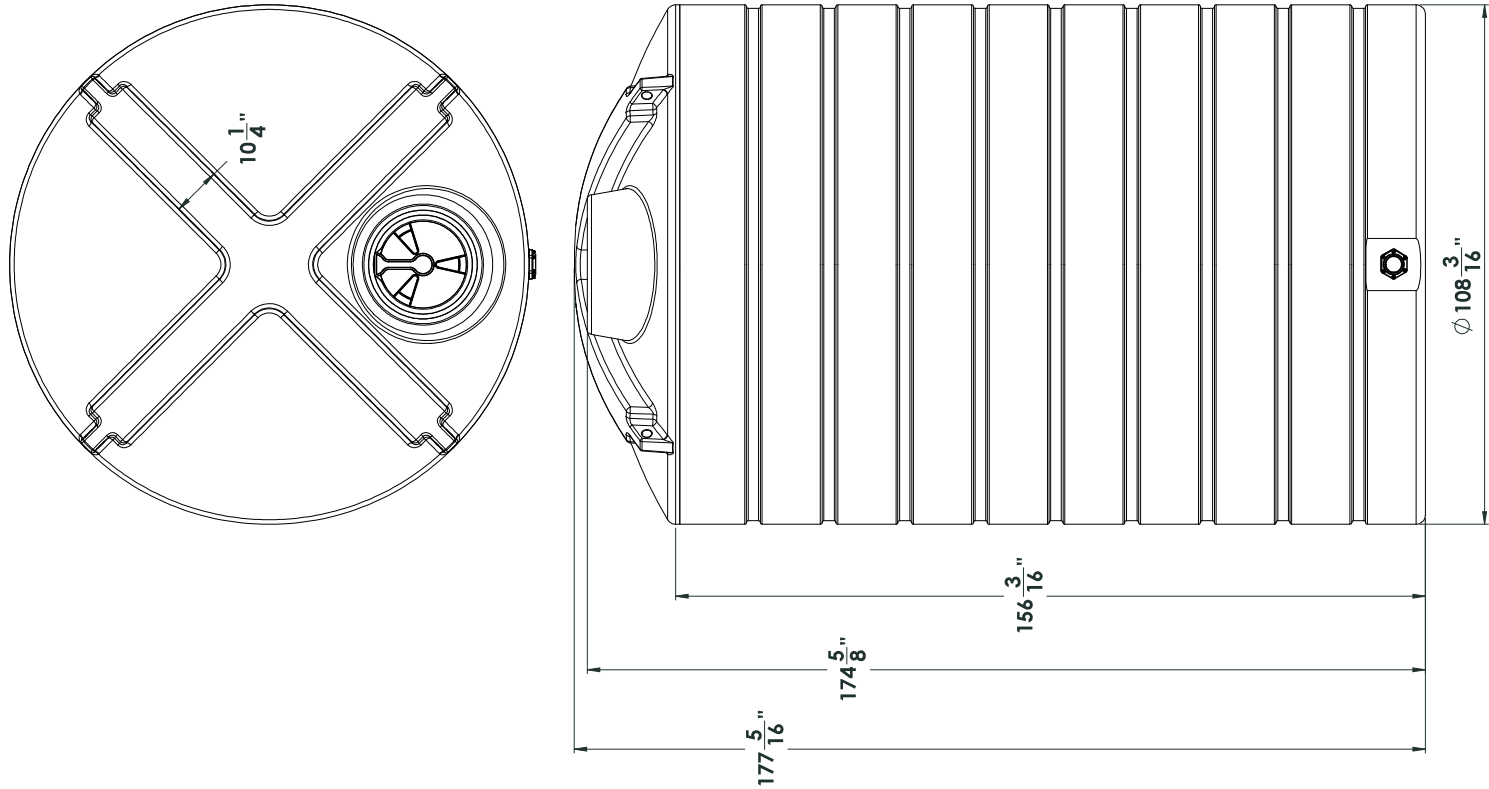


16 inch lid



3 inch bolted fitting



NOTE: Allow +/- 1.5% Shrinkage

UNLESS OTHERWISE SPECIFIED:		NAME	DATE	ENDURAPLAS LLC	
DIMENSIONS ARE IN INCHES	DRAWN	DJS	11/17/16	TITLE:	
FRACTIONALLY	CHECKED			THV06000	
TWO PLACE DECIMAL	ENG APPR.			SIZE DWG. NO.	
THREE PLACE DECIMAL	MFG APPR.			C	
	G.A.			REV	
	COMMENTS:			1	
INTERFERE GEOMETRIC				SCALE: 1:50WEIGHT:	
FINISHING FOR:				SHEET 1 OF 1	
MATERIAL:					
REPEAT	USED ON:				
APPLICATION:	DO NOT SCALE DRAWING				

PROPERTY AND CONFIDENTIALITY OF ENDURAPLAS LLC. THIS DRAWING IS THE SOLE PROPERTY OF ENDURAPLAS LLC. NO PARTS OR MATERIALS ARE TO BE REPRODUCED OR TRANSMITTED IN ANY FORM OR BY ANY MEANS WITHOUT PERMISSION OF ENDURAPLAS LLC.