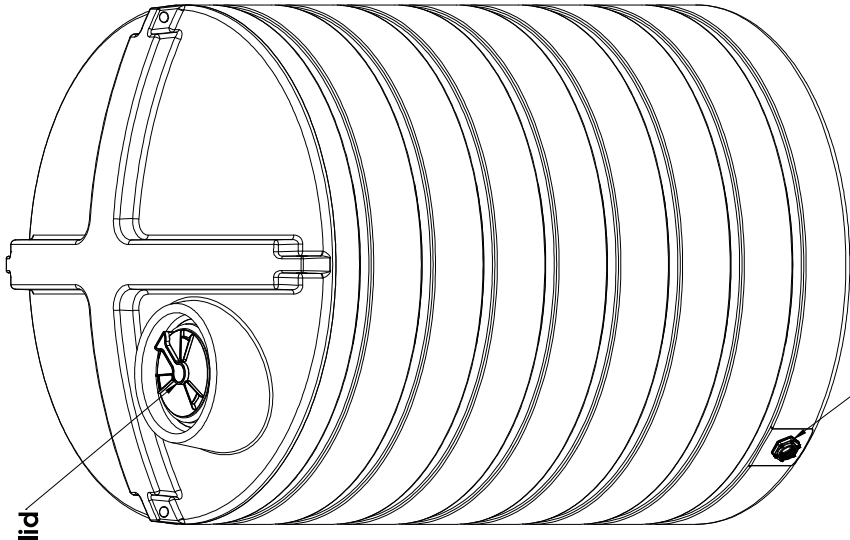
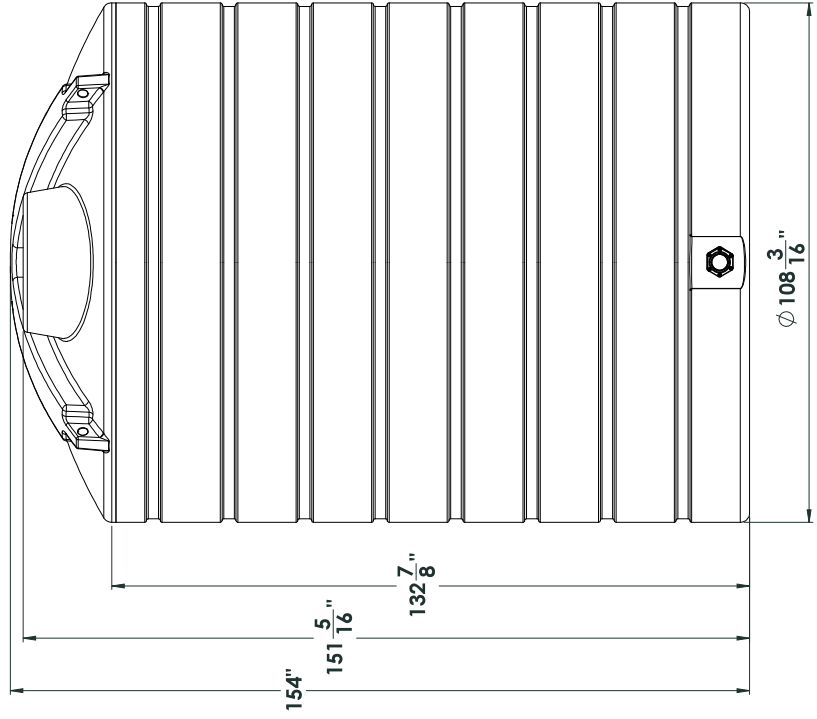


16 inch lid



3 inch bolted fitting



NOTE: Allow +/- 1.5% Shrinkage

PROPERTY AND CONFIDENTIALITY NOTICE: THIS DRAWING IS THE SOLE PROPERTY OF ENDURAPLAS LLC. IT IS TO BE USED ONLY FOR THE PROJECT AND PARTS AS SHOWN HEREIN. NO PARTS OR MATERIALS ARE TO BE USED WITHOUT PERMISSION OF ENDURAPLAS LLC BY ANYONE.

UNLESS OTHERWISE SPECIFIED:		NAME	DATE	SIZE	DWG. NO.	REV
DIMENSIONS ARE IN INCHES	DRAWN	DNS	11/17/16		ENDURAPLAS LLC	
TOLERANCES:	CHECKED				TITLE:	
FRACTIONAL ±	ENG APPR.				THV05000	
TWO PLACE DECIMAL ±	ENG APPR.					
THREE PLACE DECIMAL ±	ENG APPR.					
INTERFERE GEOMETRIC TOLERANCING FOR MATERIAL:	G.A.					
COMMENTS:						
REVISIONS:	USED ON:					
1	APPLICATION:					
DO NOT SCALE DRAWING						