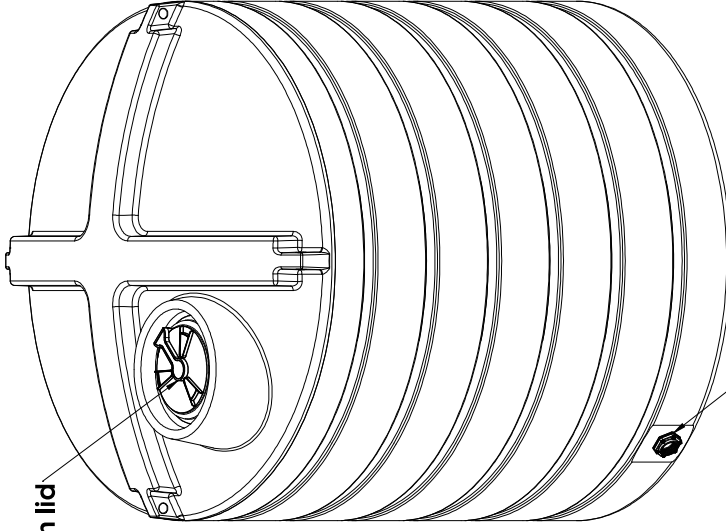
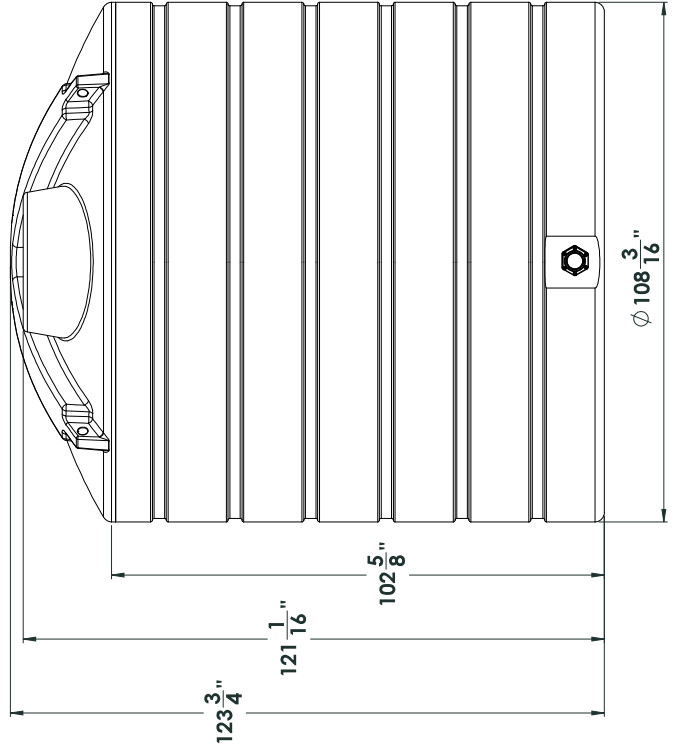


16 inch lid



3 inch bolted fitting



NOTE: Allow +/- 1.5% Shrinkage

PROPERTY AND CONFIDENTIALITY OF ENDURAPLAS LLC
 THIS DRAWING IS THE PROPERTY OF ENDURAPLAS LLC AND IS NOT TO BE REPRODUCED OR TRANSMITTED IN ANY FORM OR BY ANY MEANS, ELECTRONIC OR MECHANICAL, WITHOUT PERMISSION OF ENDURAPLAS LLC
 ENDURAPLAS LLC

UNLESS OTHERWISE SPECIFIED:		NAME	DATE	ENDURAPLAS LLC	
DIMENSIONS ARE IN INCHES	DRAWN	DNS	11/17/16	TITLE:	
TOLERANCES:	CHECKED			THV04000	
FRACTIONAL ±	ENG APPR.			SIZE DWG. NO. C	
DECIMAL ±	ENG APPR.			REV 1	
TWO PLACE DECIMAL ±				SCALE: 1:50 WEIGHT: SHEET 1 OF 1	
THREE PLACE DECIMAL ±	G.A.				
INTERFERE GEOMETRIC DIMENSIONS FOR:	COMMENTS:				
MATERIAL:					
FINISH	USED ON				
HEAT TREAT	APPLICATION				
	DO NOT SCALE DRAWING				