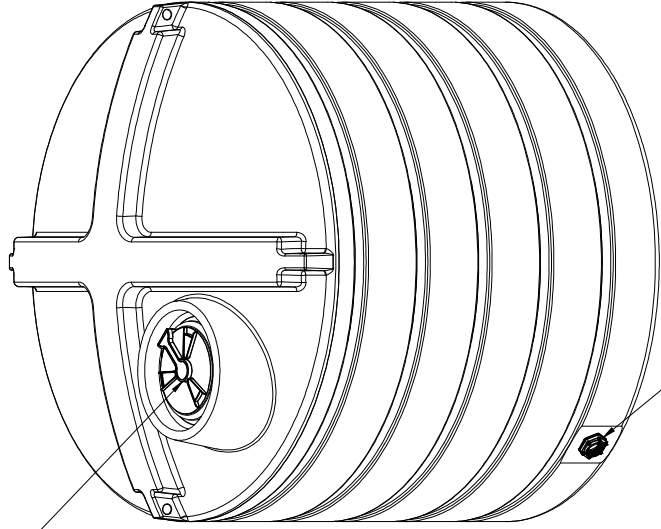
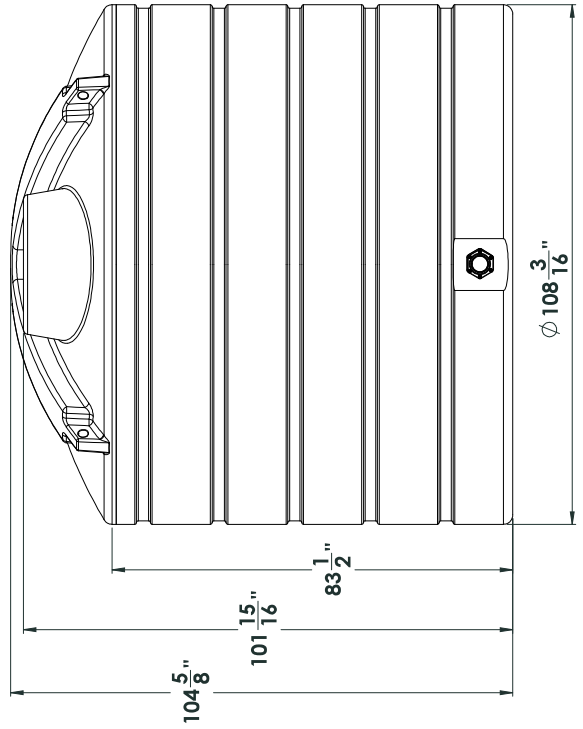


16 inch lid



3 inch bolted fitting



NOTE: Allow +/- 1.5% Shrinkage

PROPERTY AND CONFIDENTIAL INFORMATION OF ENDURAPLAS LLC. THIS DRAWING IS THE SOLE PROPERTY OF ENDURAPLAS LLC. IT IS TO BE USED ONLY WITH THE PERMISSION OF ENDURAPLAS LLC.

UNLESS OTHERWISE SPECIFIED:		NAME	DATE	ENDURAPLAS LLC	
DIMENSIONS ARE IN INCHES	FRAC TIONALLY	DRAWN	11/17/15	TITLE:	THV03200
TOLERANCES:	FRACTIONALLY	CHECKED		SIZE	C
FRACTIONALLY	FRACTIONALLY	ENG APPR.		DWG. NO.	1
TWO PLACE DECIMAL	FRACTIONALLY	ENG APPR.		SCALE	1:50WEIGHT:
THREE PLACE DECIMAL	FRACTIONALLY	ENG APPR.		SHEET 1 OF 1	
INTERFERE GEOMETRIC	INTERFERE GEOMETRIC	COMMENTS:			
FINISH	FINISH				
DO NOT SCALE DRAWING	DO NOT SCALE DRAWING				