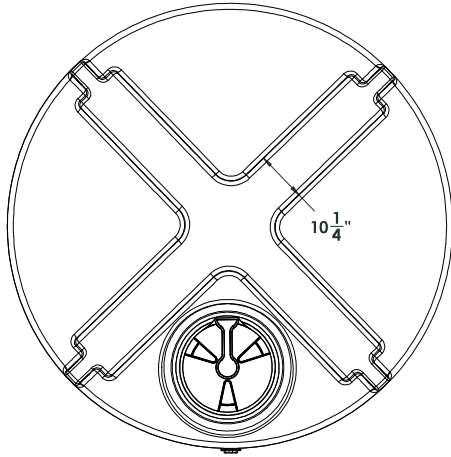


4

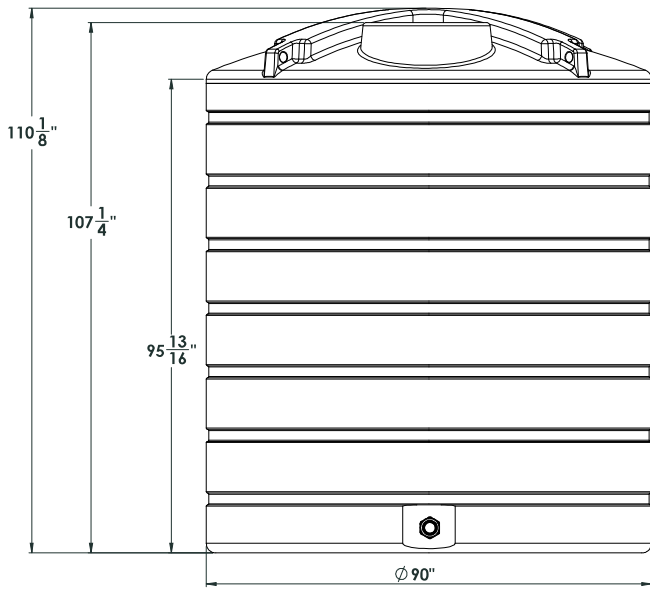
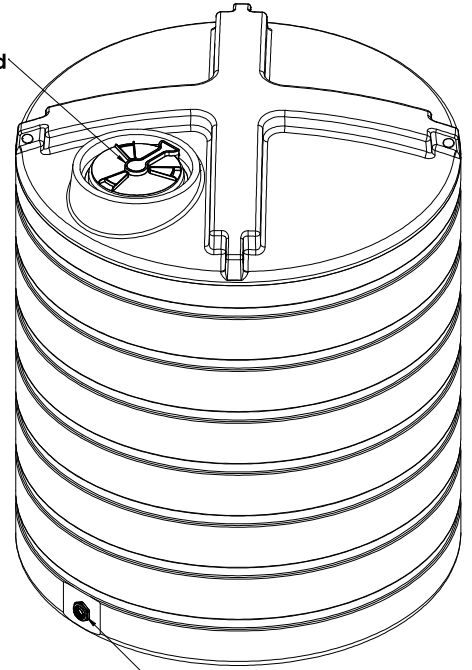
3

2

1



16 inch lid



NOTE: Allow +/- 1.5% Shrinkage

PROPRIETARY AND CONFIDENTIAL:
 THE INFORMATION CONTAINED HEREIN IS THE
 SOLE PROPERTY OF ENDURAPLAS, LLC. REPRODUCTION,
 DISTRIBUTION, OR DISSEMINATION OF THIS
 INFORMATION WITHOUT THE WRITTEN PERMISSION OF
 ENDURAPLAS, LLC IS PROHIBITED.

UNLESS OTHERWISE SPECIFIED:		DATE
DIMENSIONS: ALL DIMENSIONS IN INCHES	DRAWN	11/17/16
TOLERANCES:	CHECKED	
FRACTIONS: 1/16, 1/8, 1/4, 3/8, 1/2	ENG. APPR.	
DECIMALS: .0005, .001, .002, .005, .010, .015, .030, .060, .125	MFG. APPR.	
ANGLES: UNLESS OTHERWISE SPECIFIED	Q.A.	
WELDING: AS SHOWN	COMMENTS:	
FINISH: AS SHOWN		
TEXT: AS SHOWN		
NEUT. ASSY.	USED ON:	
APPLICATION:	DO NOT SCALE DRAWING	

ENDURAPLAS LLC

TITLE: THV02500

SIDE DWG. NO. REV
C 1

SCALE: 1:50 WEIGHT: SHEET 1 OF 1

4

3

2

1