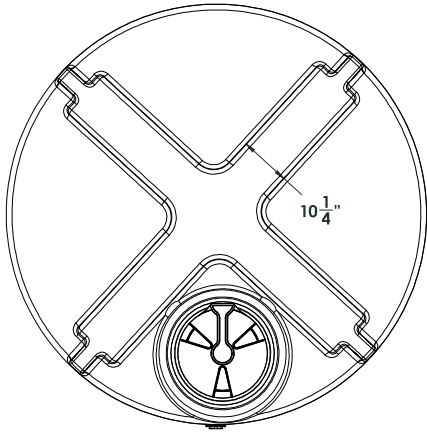


4

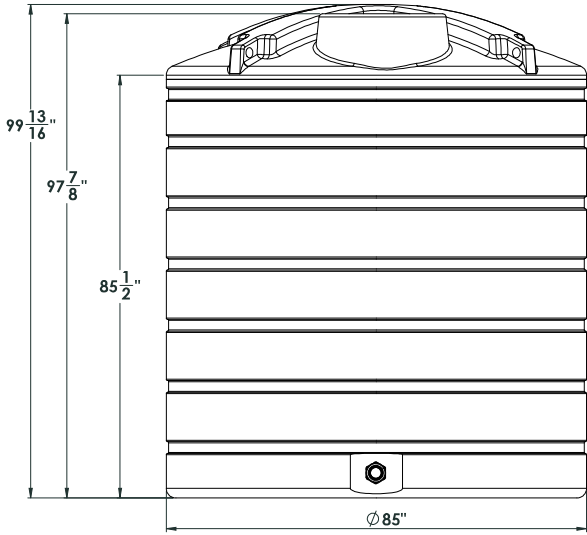
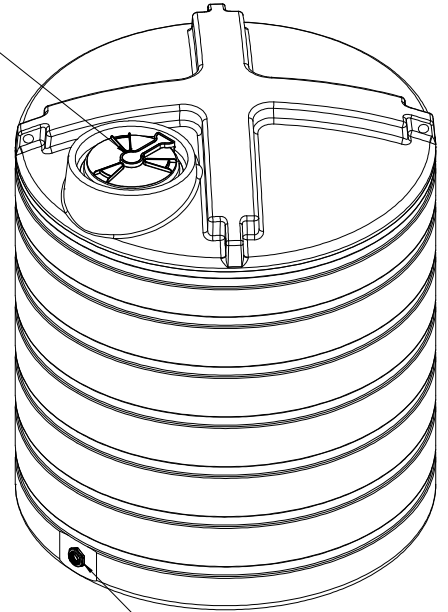
3

2

1



16 inch lid



**NOTE: Allow +/- 1.5% Shrinkage**

**PROPRIETARY AND CONFIDENTIAL**  
 THE INFORMATION CONTAINED HEREIN IS THE  
 SOLE PROPERTY OF ENDURAPLAS, AND IS NOT TO BE  
 REPRODUCED OR TRANSMITTED IN ANY FORM OR BY  
 ANY MEANS, ELECTRONIC OR MECHANICAL, WITHOUT THE  
 WRITTEN PERMISSION OF ENDURAPLAS, LLC.

UNLESS OTHERWISE SPECIFIED:		DATE
DRAWING: 16 INCHES	DRAWN:	11/17/16
TOLERANCES:	CHECKED:	
FRANCHISE:	ENG. APPR.:	
ANGULAR SURFACE: BB-10	MFG. APPR.:	
TWO PLACE DECIMAL:	Q.A.:	
THREE PLACE DECIMAL:	COMMENTS:	
	REWORK:	
	REVISION:	
NEXT ASSY:	USED ON:	
APPLICATION:	DO NOT SCALE DRAWING	

<b>ENDURAPLAS LLC</b>	
TITLE:	
<b>THV02100</b>	
SIDE	REV
<b>C</b>	<b>1</b>
SCALE: 1:50WEIGHT:	SHEET 1 OF 1

4

3

2

1