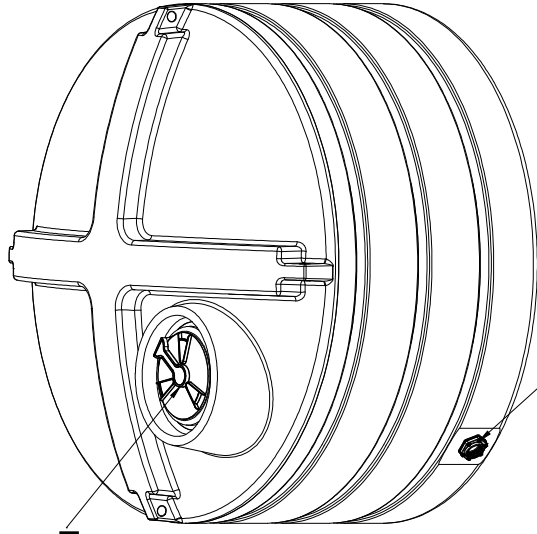
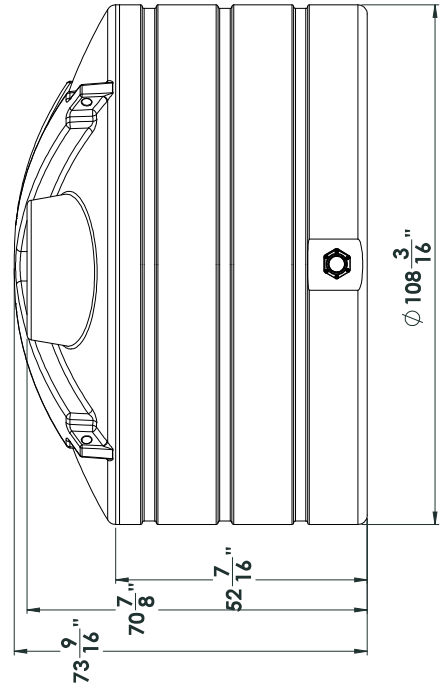


16 inch lid



3 inch bolted fitting



**NOTE: Allow +/- 1.5% Shrinkage**

**PROPERTY AND CONFIDENTIALITY NOTICE:**  
 THIS DRAWING AND ALL INFORMATION CONTAINED HEREIN ARE THE SOLE PROPERTY OF ENDURAPLAS LLC. NO PART OF THIS DRAWING IS TO BE REPRODUCED OR TRANSMITTED IN ANY FORM OR BY ANY MEANS, ELECTRONIC OR MECHANICAL, WITHOUT PERMISSION OF ENDURAPLAS LLC.

UNLESS OTHERWISE SPECIFIED:		NAME	DATE	ENDURAPLAS LLC	
DRAWN	CHECKED	DNS	11/17/16	TITLE:	
TOLERANCES ARE IN INCHES	FRAC TIONALLY			THV02020	
± .005	± .005			SIZE DWG. NO. <b>C</b>	
± .010	± .010			REV <b>1</b>	
± .015	± .015			SCALE: 1:50WEIGHT: SHEET 1 OF 1	
± .020	± .020			COMMENTS:	
± .030	± .030			INTERFERE GEOMETRIC DIMENSIONS FOR MATERIAL:	
± .040	± .040			FINISH	
± .050	± .050			DO NOT SCALE DRAWING	
± .060	± .060			REF: ASST	
± .070	± .070			USED ON:	
± .080	± .080			APPLICATION:	