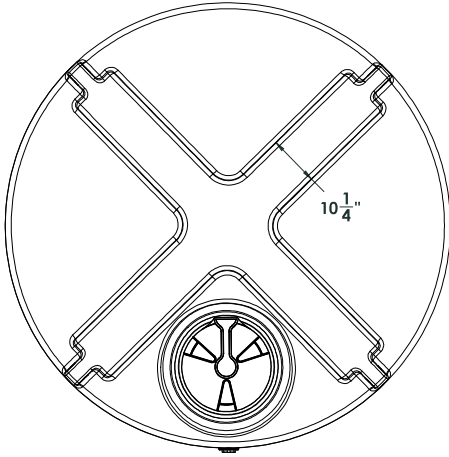


4

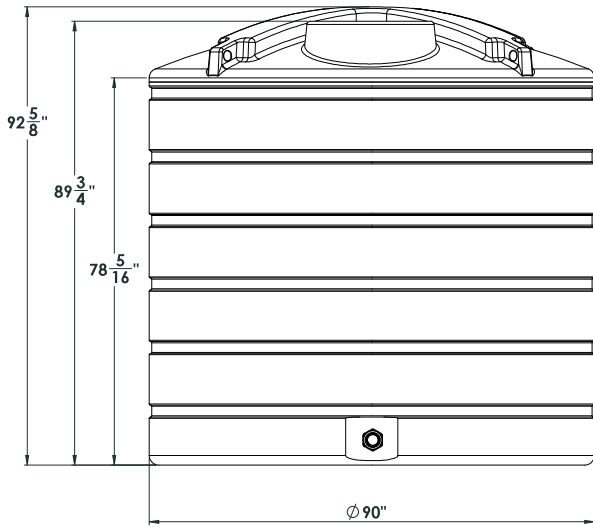
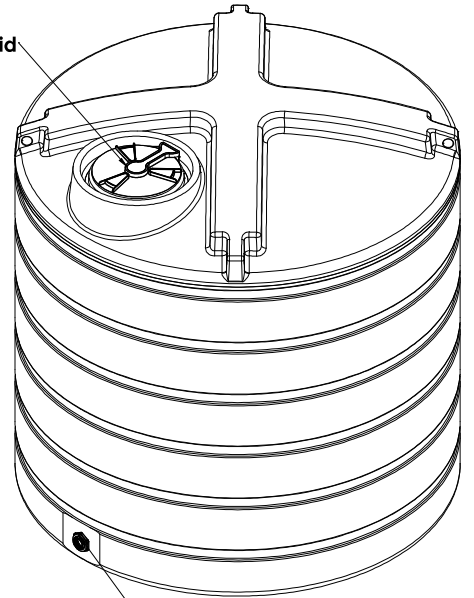
3

2

1



16 inch lid



NOTE: Allow +/- 1.5% Shrinkage

PROPRIETARY AND CONFIDENTIAL
 THE INFORMATION CONTAINED HEREIN IS THE
 SOLE PROPERTY OF ENDURAPLAS, LLC. REPRODUCTION OR
 TRANSMISSION IN ANY FORM OR BY ANY MEANS
 WITHOUT THE WRITTEN PERMISSION OF ENDURAPLAS, LLC
 IS PROHIBITED.

UNLESS OTHERWISE SPECIFIED:		DATE	DATE
DESCRIPTION	DATE	DATE	DATE
DESIGNED BY: JPH	10/31/16		
DRAWN BY: JPH			
CHECKED BY: JPH			
APPROVED BY: JPH			
DATE: 10/31/16			
SCALE: 1:1			
UNIT: INCHES			
TOLERANCE: ±0.005			
FINISH: AS SUPPLIED			
REVISIONS:			
REV. NO.	DESCRIPTION	DATE	BY
1	INITIALS		

ENDURAPLAS LLC	
TITLE: THV02000	
SIDE: C	DWG. NO. 1
SCALE: 1:150	WEIGHT: 1
SHEET 1 OF 1	

4

3

2

1