

4

3

2

1

D

D

C

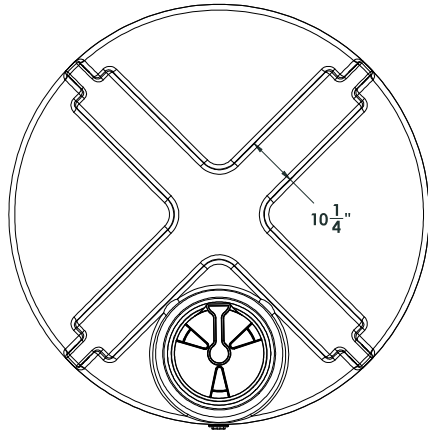
C

B

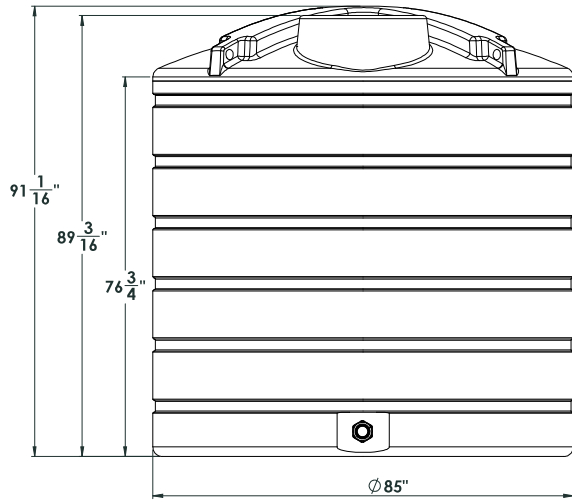
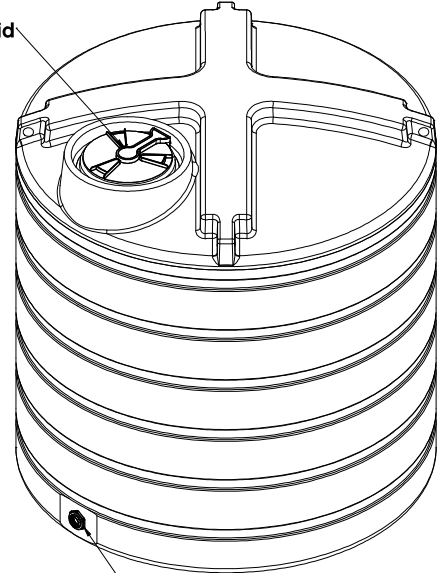
B

A

A



16 inch lid



NOTE: Allow +/- 1.5% Shrinkage

PROPRIETARY AND CONFIDENTIAL
 THE INFORMATION CONTAINED HEREIN IS THE
 SOLE PROPERTY OF ENDURAPLAS, AND IS NOT TO BE
 REPRODUCED OR TRANSMITTED IN ANY FORM OR BY
 ANY MEANS, ELECTRONIC OR MECHANICAL, WITHOUT THE
 WRITTEN PERMISSION OF ENDURAPLAS, LLC.

UNLESS OTHERWISE SPECIFIED:		DATE	ENDURAPLAS LLC
DIMENSIONS: ALL IN INCHES	DRAWN	10/31/16	TITLE: THV01750
TOLERANCES:	CHKD		
FRACTURE: ±	ENG APPR		
ANGULAR: ±	MFG APPR		SIDE DWG. NO. REV C 1
TWO PLACE DECIMALS	Q.A.		
THREE PLACE DECIMALS	COMMENTS:		SCALE: 1:50 WEIGHT: SHEET 1 OF 1
INTERPRET COORDINATE TOLERANCING PER:			
AS PER:			
NEXT ASSY	USED ON		
APPLICATION:	DO NOT SCALE DRAWING		

4

3

2

1