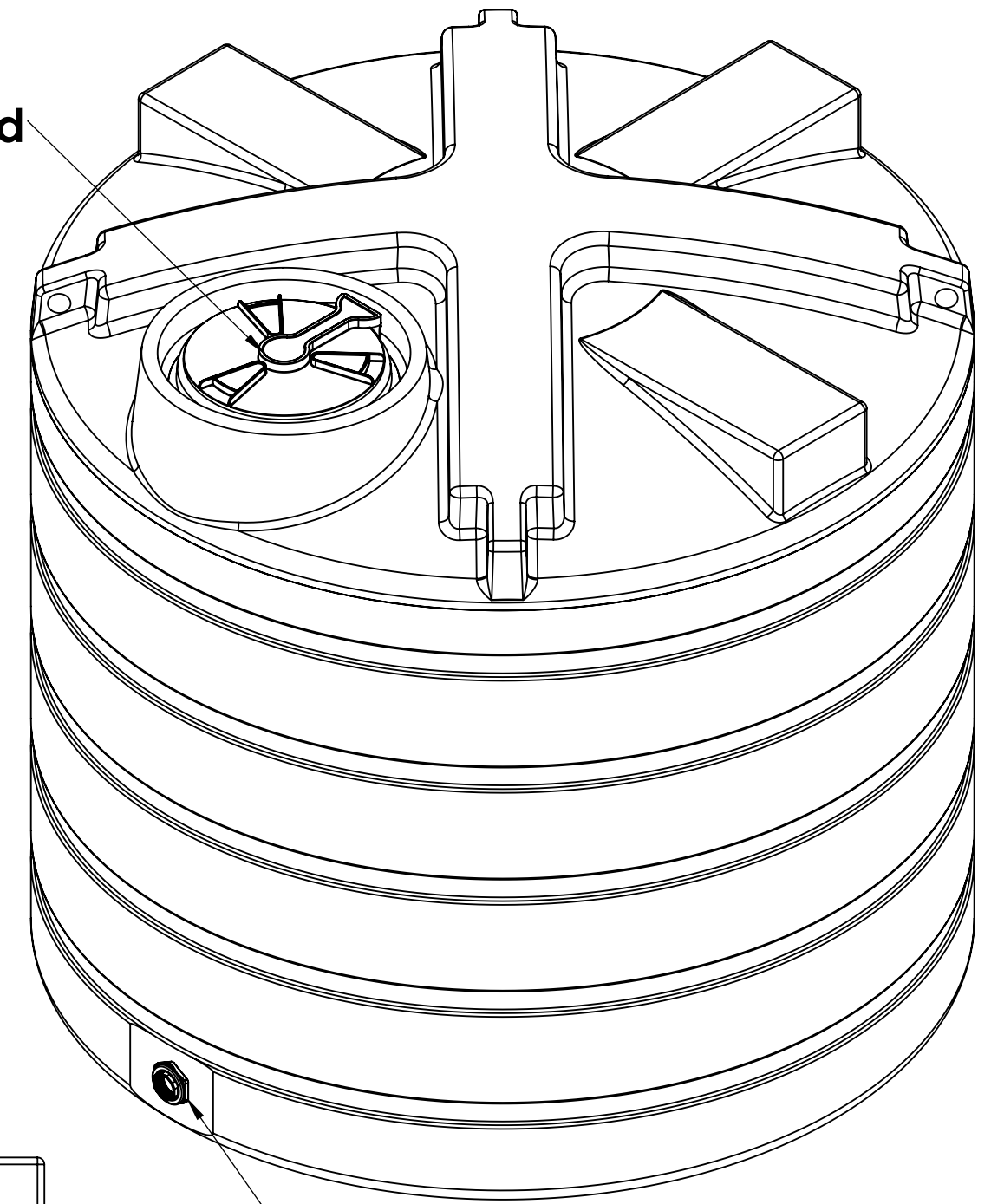
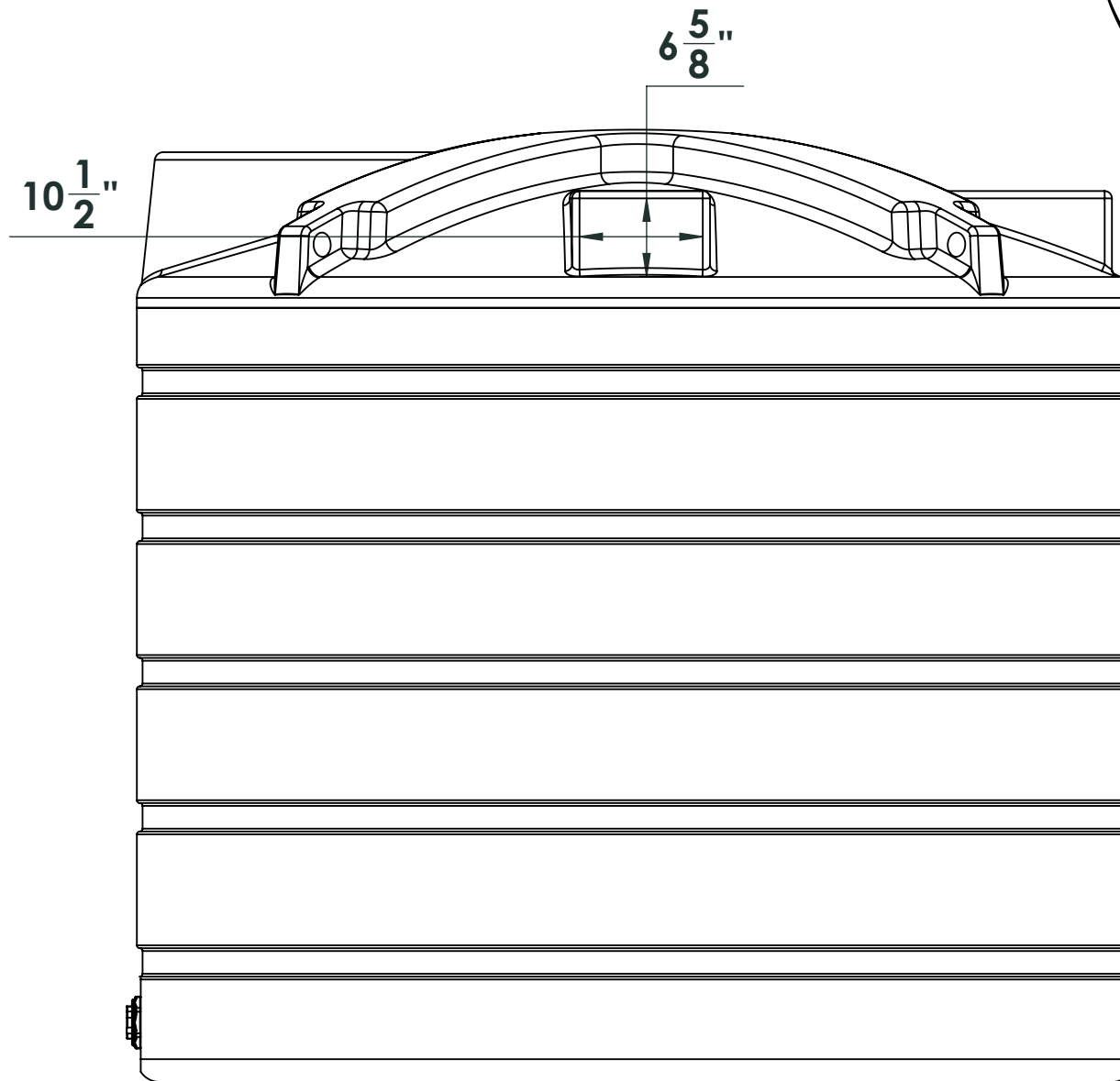
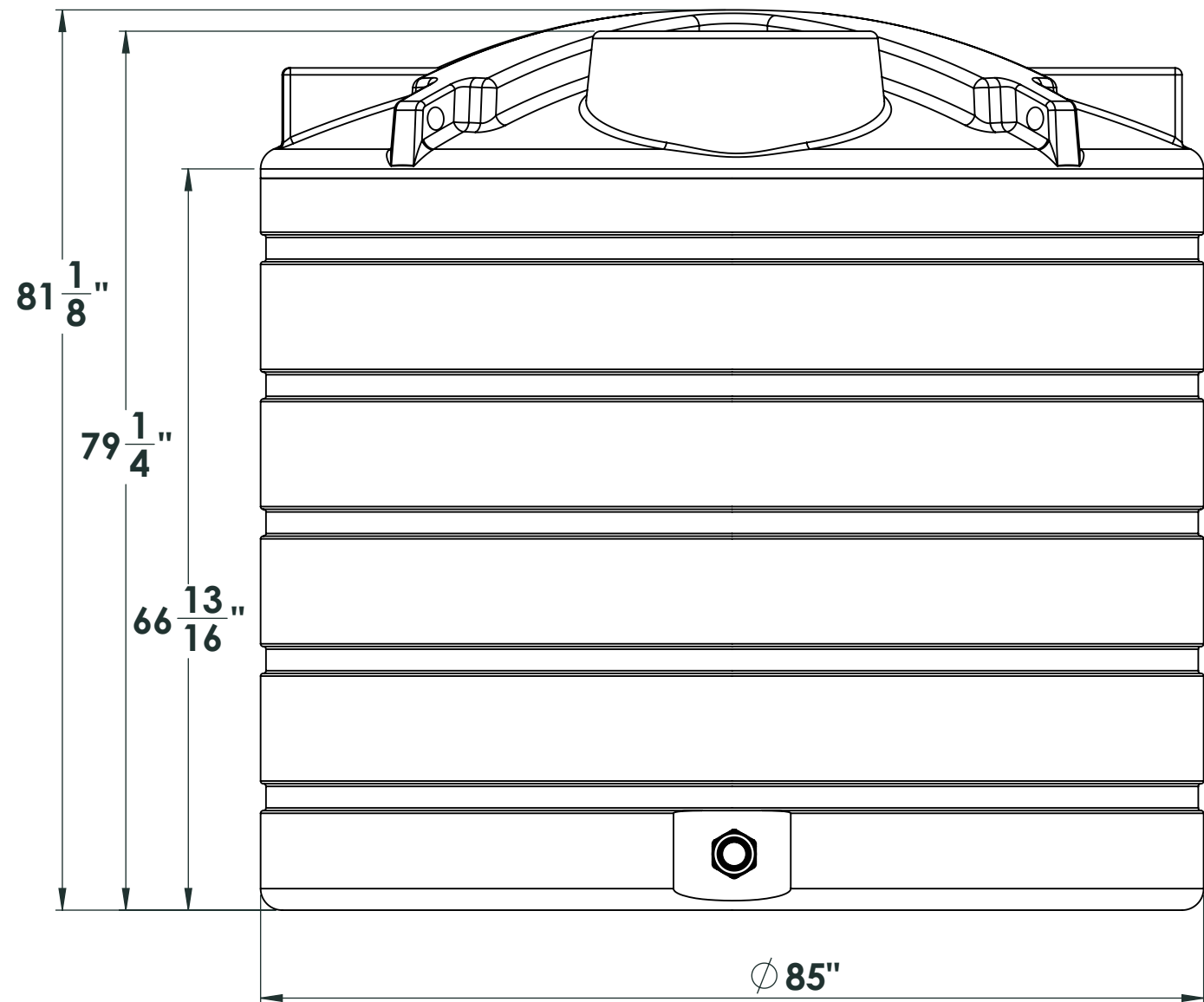


16 inch lid



2 inch threaded fitting



NOTE: Allow +/- 1.5% Shrinkage

PROPRIETARY AND CONFIDENTIAL
 THE INFORMATION CONTAINED IN THIS DRAWING IS THE SOLE PROPERTY OF ENDURAPLAS LLC. ANY REPRODUCTION IN PART OR AS A WHOLE WITHOUT THE WRITTEN PERMISSION OF ENDURAPLAS LLC IS PROHIBITED.

UNLESS OTHERWISE SPECIFIED:		DRAWN	NAME	DATE	ENDURAPLAS LLC
DIMENSIONS ARE IN INCHES		CHECKED	DNS	10/31/16	
TOLERANCES:		ENG APPR.			
FRACTIONAL ±		MFG APPR.			
ANGULAR: MACH ±		Q.A.			TITLE:
BEND ±		COMMENTS:			THV01550
TWO PLACE DECIMAL ±					SIZE DWG. NO.
THREE PLACE DECIMAL ±					C
INTERPRET GEOMETRIC TOLERANCING PER:	MATERIAL	FINISH			REV
					1
NEXT ASSY	USED ON	APPLICATION			SCALE: 1:50 WEIGHT:
					SHEET 1 OF 1

4

3

2

1

D

D

C

C

B

B

A

A