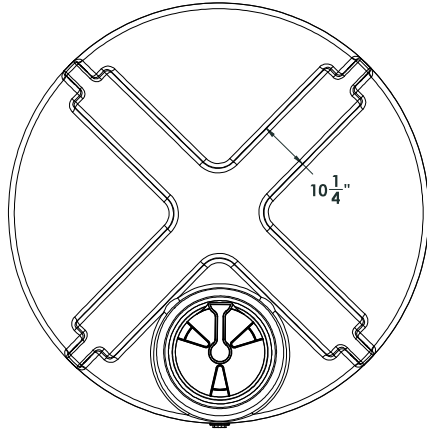


4

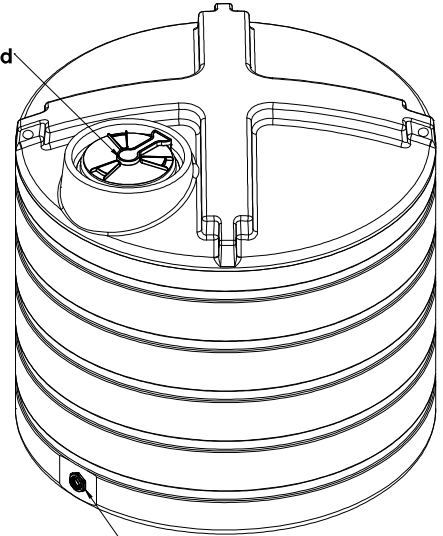
3

2

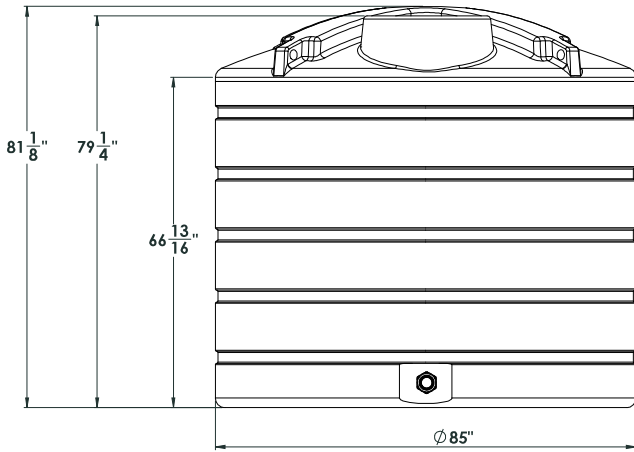
1



16 inch lid



2 inch threaded fitting



**NOTE: Allow +/- 1.5% Shrinkage**

**PROPRIETARY AND CONFIDENTIAL**  
 THE INFORMATION CONTAINED HEREIN IS THE  
 SOLE PROPERTY OF ENDURAPLAS, LLC. REPRODUCTION,  
 DISTRIBUTION, OR DISSEMINATION OF THIS  
 INFORMATION WITHOUT THE WRITTEN PERMISSION OF  
 ENDURAPLAS, LLC IS PROHIBITED.

UNLESS OTHERWISE SPECIFIED:		DATE	10/31/16	ENDURAPLAS LLC
DRAWING	DATE	DATE	DATE	
DESIGNED BY: JH	DRAWN	CHKD	DATE	TITLE:
FRANCHISE	CHECKED			THV01550
ANGULAR FINISH: BRID	ENG APPR			SIDE
TWO PLACE DECIMAL	MFG APPR			C
THREE PLACE DECIMAL	QA			DWG. NO.
	COMMENTS:			REV
INTERPRET COGNITIVE				1
TOLERANCING PER:				SCALE: 1:50 WEIGHT:
AS PER:				SHEET 1 OF 1
NEAT ASSY	USED CH			
APPLICATION:	DO NOT SCALE DRAWING			

4

3

2

1